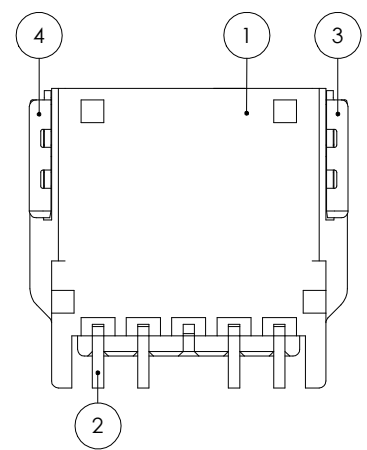
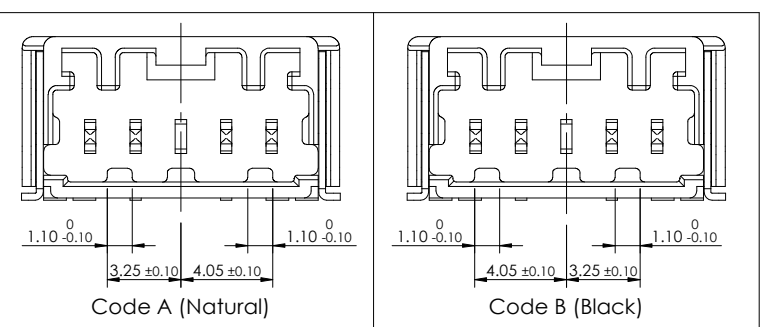
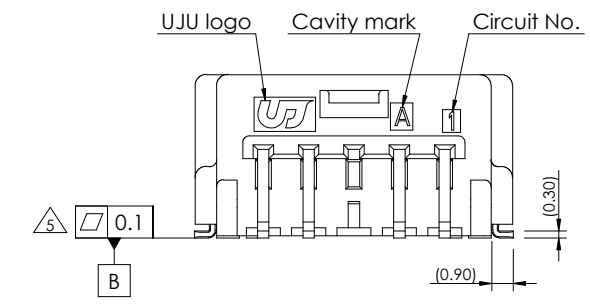
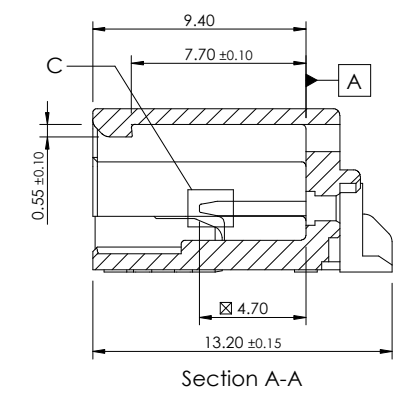
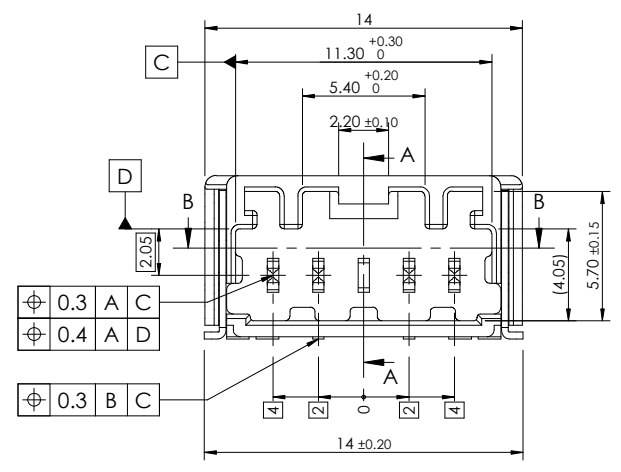
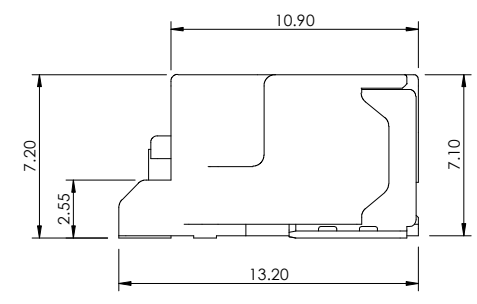
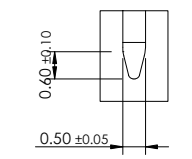
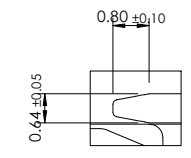
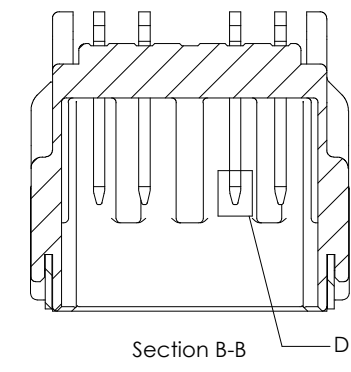
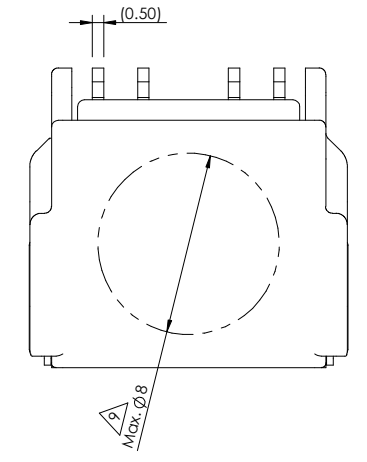
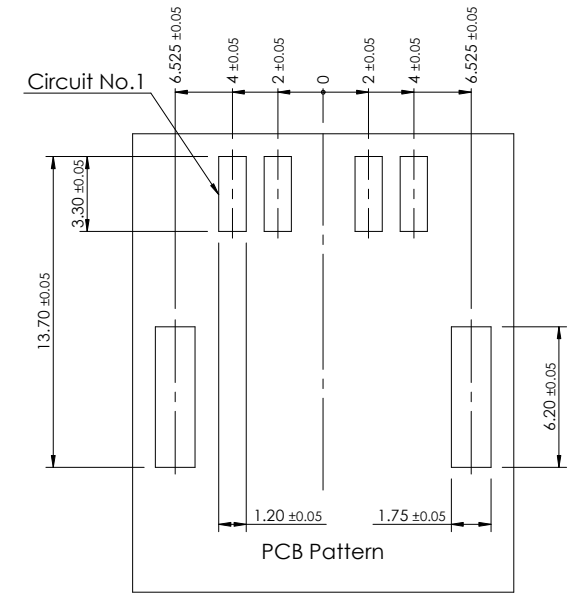
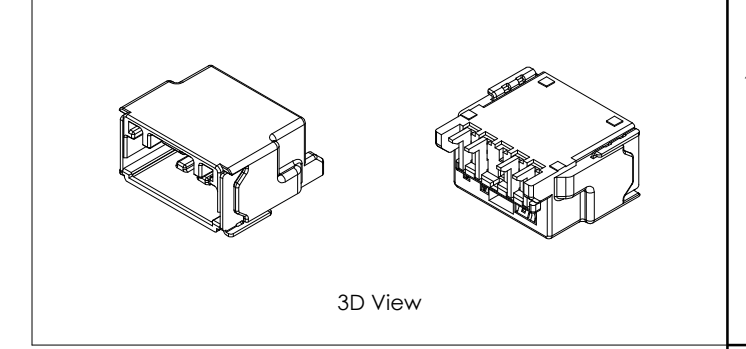


REV	REVISION RECORD	DATE	DRWN	CHKD	APVD
A	RELEASED (RD-2020-100)	08 JUL '20	JK	KH	CY
B	RELEASED (RD-2020-137)	20 OCT '20	JK	KH	CY



-Note-

- General tolerance : Refer to DIN 16742 TG5 specification.
- Burr Max.0.3
- No crack
- All letters shall be clear and legible.
- Measuring the dimensions of Tab TML and Solder Peg.
- Finish Tab TML and Solder Peg  
- Sn plating 2.5~4.0µm (matte) over Ni 1.0~2.0µm
- Packing : Emboss tape
- Flammability : UL94-HB
- Vacuum grip area free of burr and factor pins, Max.Ø8.0
- Matching part  
- KH1900015 (020\_D\_C\_4F\_ASSY)

No.	Description	Material	Finish / Color	Q'ty
4	020 SMT Solder Peg HZT-L	Copper alloy	Post-Sn	1 1 1 1
3	020 SMT Solder Peg HZT-R	Copper alloy	Post-Sn	1 1 1 1
2	020 SMT Tab TML HZT	Copper alloy	Post-Sn	4 4 4 4
1	020_D_SMT_5M_H_HSG_BL	PA9T-GF30	Blue	1 - - -
	020_D_SMT_5M_H_HSG_BR	PA9T-GF30	Brown	- 1 - -
	020_D_SMT_5M_H_HSG_BK	PA9T-GF30	Black	- - 1 -
	020_D_SMT_5M_H_HSG_NR	PA9T-GF30	Natural	- - - 1

Description	Part No.	Code
020_D_C_SMT_4M_H_ASSY_BL	-	D
020_D_C_SMT_4M_H_ASSY_BR	-	C
020_D_C_SMT_4M_H_ASSY_BK	KH1900037-21	B
020_D_C_SMT_4M_H_ASSY_NR	KH1900037-10	A

On request, development is scheduled.

Code C (Brown)

Code D (Blue)

TOLERANCES UNLESS OTHERWISE SPECIFIED		UNIT MM		THIRD ANGLE PROJECTION		NAME 020_D_C_SMT_4M_H_ASSY	
0	±	THIRD ANGLE PROJECTION		MATERIAL SEE TABLE		CUSTOMER DRAWING KH1900037	
0.0	±	THIRD ANGLE PROJECTION		FINISH/COLOR SEE TABLE		DRAWING NO.	
0.00	±	THIRD ANGLE PROJECTION		WEIGHT		DRAWING NO.	
0.000	±	THIRD ANGLE PROJECTION		LOC		DRAWING NO.	
0.0000	±	THIRD ANGLE PROJECTION		RESTRICTED TO		DRAWING NO.	
ANGLES	±	THIRD ANGLE PROJECTION		SIZE		DRAWING NO.	
PRODUCT SPEC		THIRD ANGLE PROJECTION		SCALE		DRAWING NO.	
		THIRD ANGLE PROJECTION		SHEET		DRAWING NO.	
		THIRD ANGLE PROJECTION		REV		DRAWING NO.	