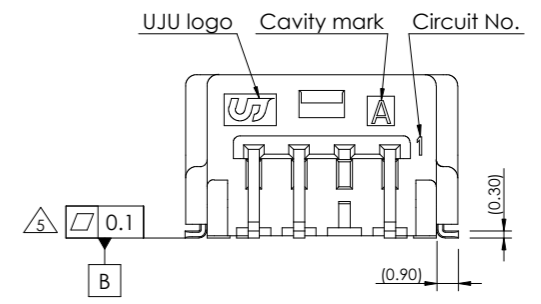
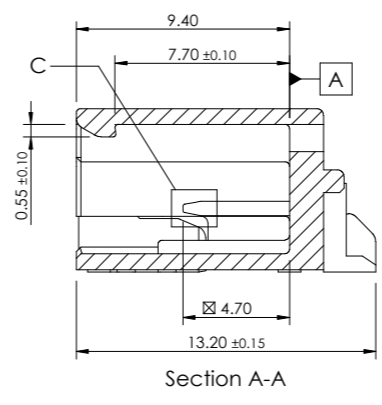
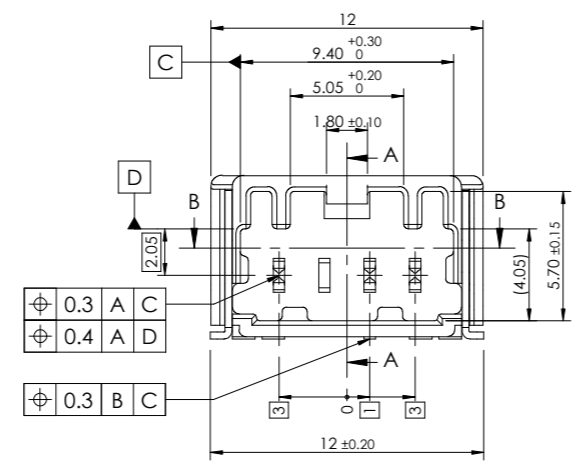
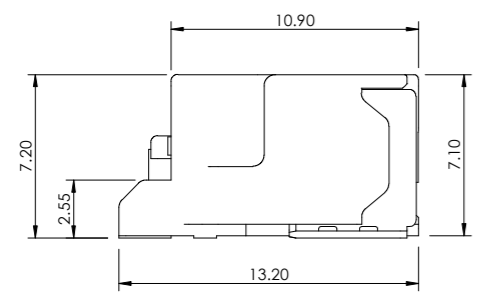
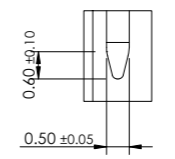
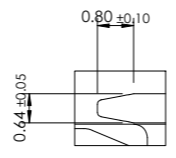
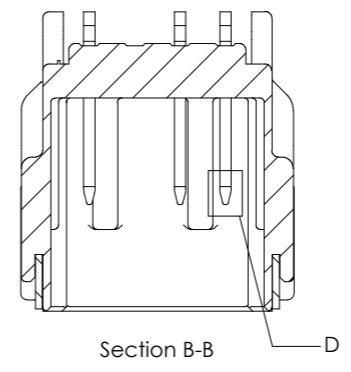
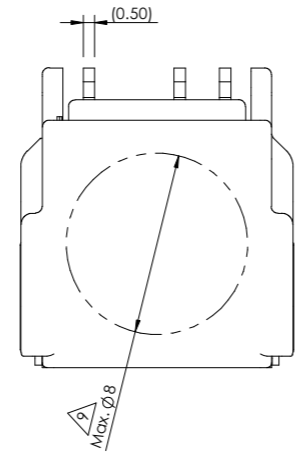
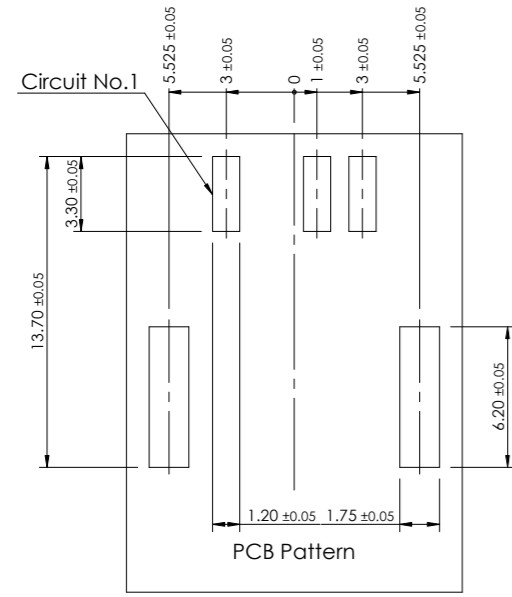
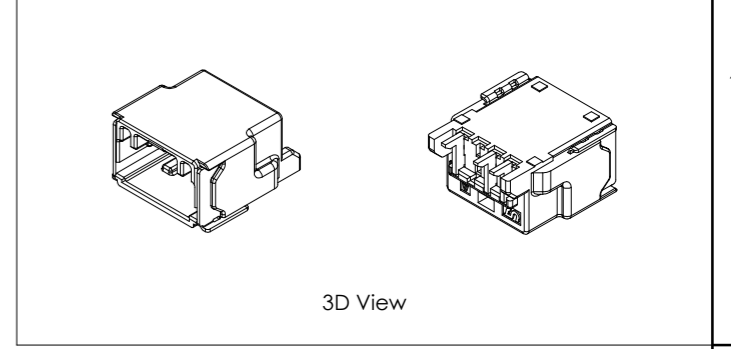
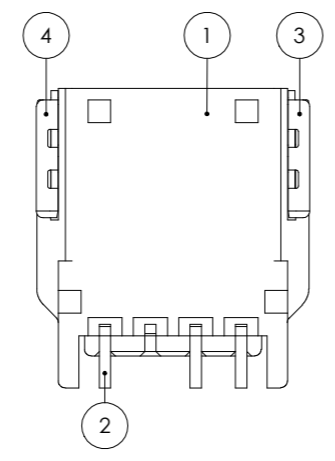
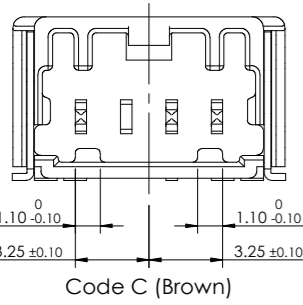
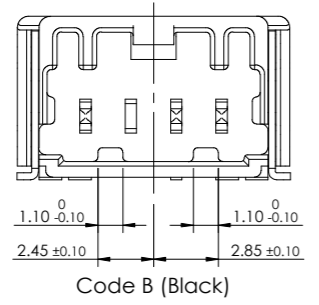
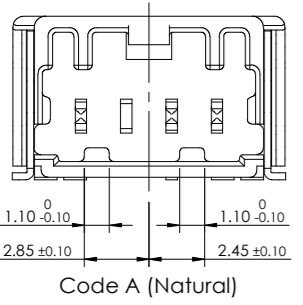


REV	REVISION RECORD	DATE	DRWN	CHKD	APVD
A	RELEASED (RD-2020-100)	08 JUL '20	JK	KH	CY
B	RELEASED (RD-2020-137)	20 OCT '20	JK	KH	CY



Description	Part No.	Code
020_D_C_SMT_3M_H_ASSY_BL	-	D
020_D_C_SMT_3M_H_ASSY_BR	KH1900036-42	C
020_D_C_SMT_3M_H_ASSY_BK	KH1900036-21	B
020_D_C_SMT_3M_H_ASSY_NR	KH1900036-10	A



-Note-

- General tolerance : Refer to DIN 16742 TG5 specification.
- Burr Max.0.3
- No crack
- All letters shall be clear and legible.
- Measuring the dimensions of Tab TML and Solder Peg.
- Finish Tab TML and Solder Peg
- Sn plating 2.5~4.0µm (matte) over Ni 1.0~2.0µm
- Packing : Emboss tape
- Flammability : UL94-HB
- Vacum grip area free of burr and fector pins, Max.Ø8.0
- Matching part
- KH1900012 (020_D_C_3F_ASSY)

No.	Description	Material	Finish / Color	Q'ty
4	020 SMT Solder Peg HZT-L	Copper alloy	Post-Sn	1 1 1 1
3	020 SMT Solder Peg HZT-R	Copper alloy	Post-Sn	1 1 1 1
2	020 SMT Tab TML HZT	Copper alloy	Post-Sn	3 3 3 3
1	020_D_SMT_4M_H_HSG_BL	PA9T-GF30	Blue	1 - - -
	020_D_SMT_4M_H_HSG_BR	PA9T-GF30	Brown	- 1 - -
	020_D_SMT_4M_H_HSG_BK	PA9T-GF30	Black	- - 1 -
	020_D_SMT_4M_H_HSG_NR	PA9T-GF30	Natural	- - - 1

DRWN JK. HWANG	 (주)우주 일렉트로닉스 UJU Electronics co.,Ltd.	NAME	
CHKD KH. PARK		020_D_C_SMT_3M_H_ASSY	
APVD CY. CHOI		DRAWING NO	
MATERIAL	SEE TABLE	CUSTOMER	KH1900036
FINISH/COLOR	SEE TABLE	DRAWING	
WEIGHT		LOC	RESTRICTED TO
PRODUCT SPEC	APPLICATION SPEC	SIZE	SCALE
		A3	3:1
		SHEET	1 of 1
		REV	B