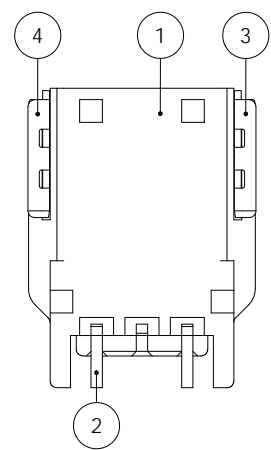
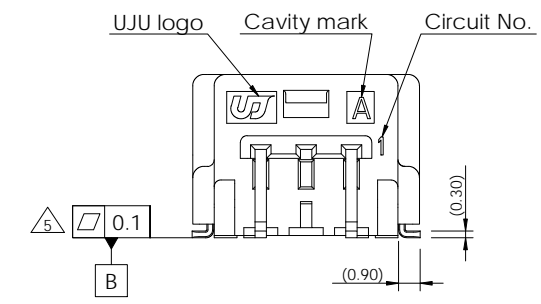
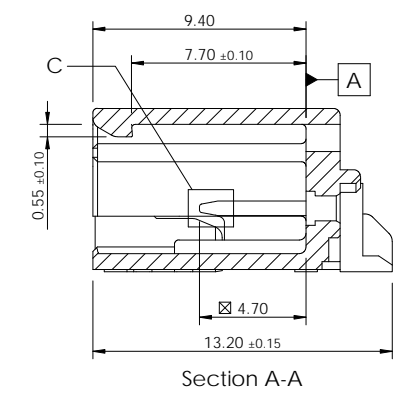
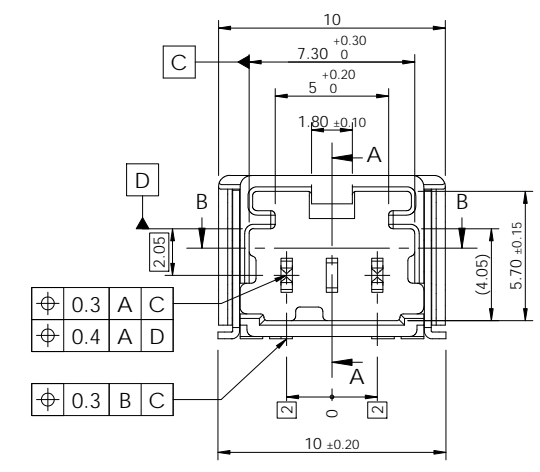
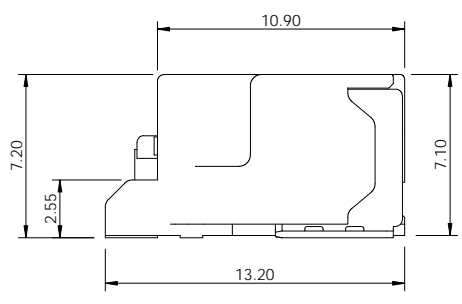
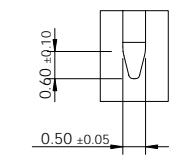
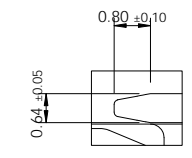
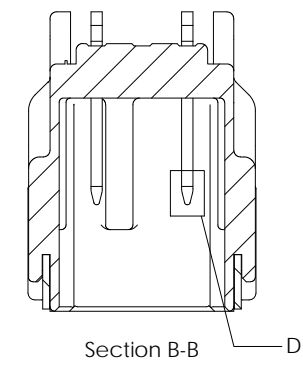
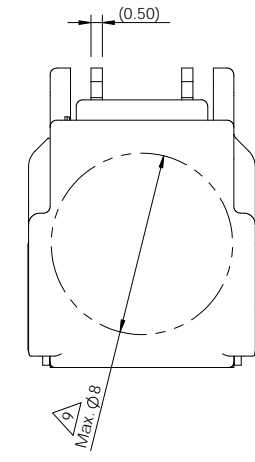
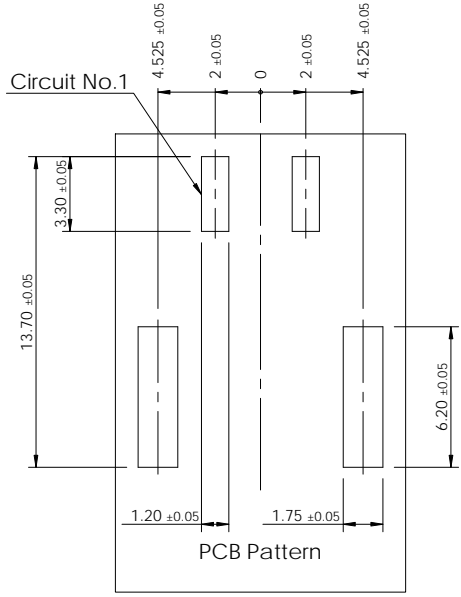
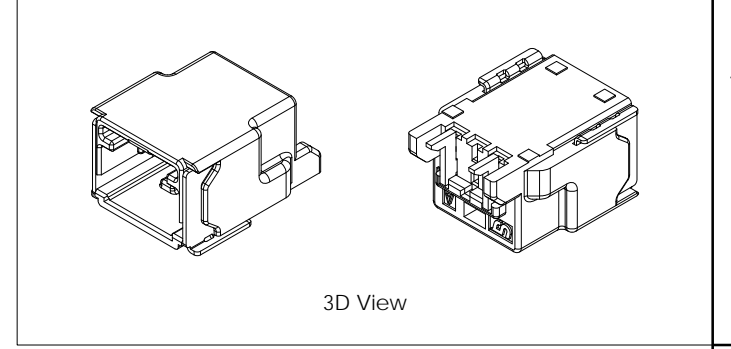
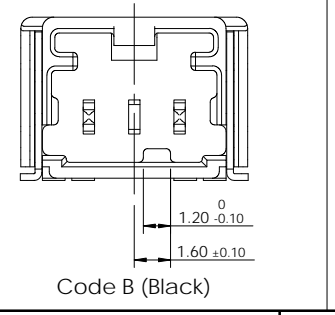
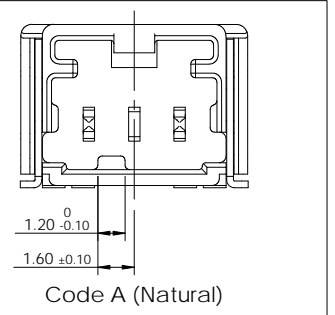


REV	REVISION RECORD	DATE	DRWN	CHKD	APVD
A	RELEASED (RD-2020-100)	08 JUL '20	JK	KH	CY
B	RELEASED (RD-2020-137)	20 OCT '20	JK	KH	CY



-Note-

- General tolerance : Refer to DIN 16742 TG5 specification.
- Burr Max.0.3
- No crack
- All letters shall be clear and legible.
- Measuring the dimensions of Tab TML and Solder Peg.
- Finish Tab TML and Solder Peg
- Sn plating 2.5~4.0µm (matte) over Ni 1.0~2.0µm
- Packing : Emboss tape
- Flammability : UL94-HB
- Vacum grip area free of burr and fector pins, Max.Ø8.0
- Matching part
- KH1900009 (020_D_C_2F_ASSY)



Part No.	Code
KH1900035-21	B
KH1900035-10	A

No.	Description	Material	Finish / Color	Q'ty
4	020 SMT Solder Peg HZT-L	Copper alloy	Post-Sn	1
3	020 SMT Solder Peg HZT-R	Copper alloy	Post-Sn	1
2	020 SMT Tab TML HZT	Copper alloy	Post-Sn	2
1	020_D_SMT_3M_H_HSG_BK	PA9T-GF30	Black	1
	020_D_SMT_3M_H_HSG_NR	PA9T-GF30	Natural	-

DRWN	JK. HWANG	 (주)우주 일렉트로닉스 UJU Electronics co.,Ltd.	NAME		020_D_C_SMT_2M_H_ASSY	
CHKD	KH. PARK		MATERIAL		SEE TABLE	
APVD	CY. CHOI		FINISH/COLOR		SEE TABLE	
PRODUCT SPEC		APPLICATION SPEC		WEIGHT		CUSTOMER DRAWING
LOC		RESTRICTED TO		SIZE	SCALE	SHEET
				A3	3:1	1 of 1
				REV		B