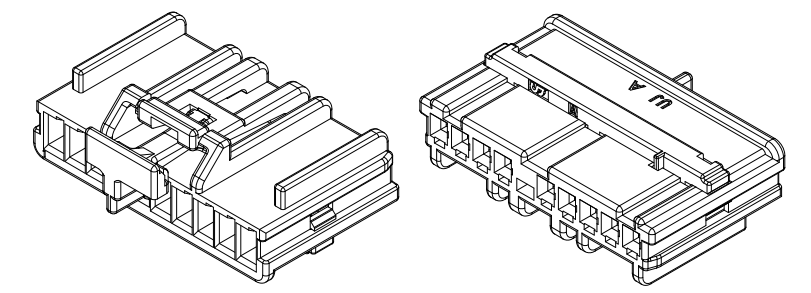
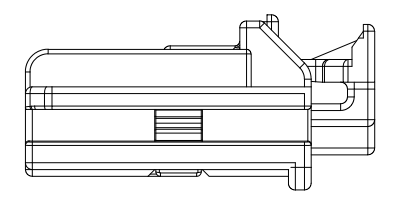


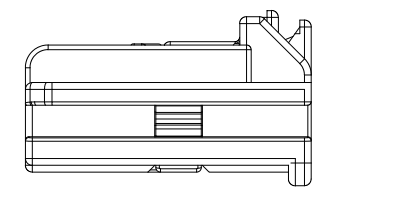
REV	REVISION RECORD	DATE	DRWN	CHKD	APVD
A	RELEASED (RD-2020-148)	02 NOV '20	JK	KH	CY
B	CHANGED (RD-2020-156)	18 NOV '20	JK	KH	CY
C	CHANGED (RD-2022-138)	07 NOV '22	JK	SJ	CY



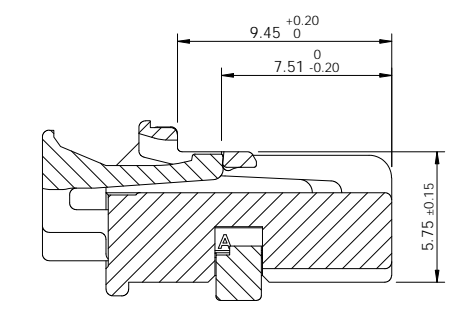
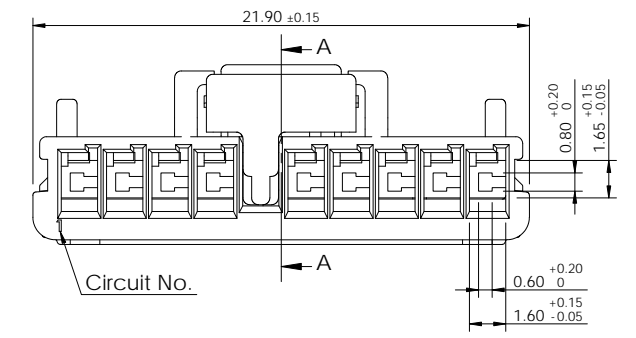
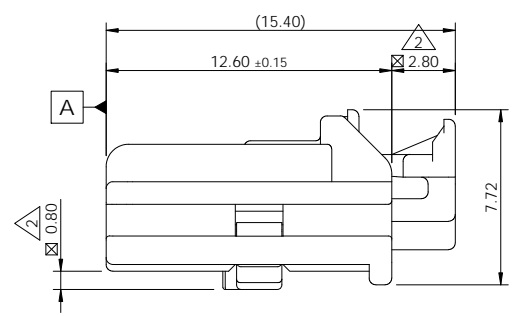
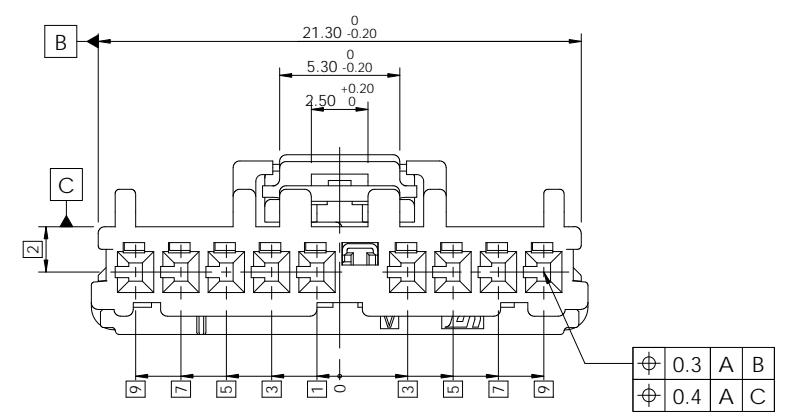
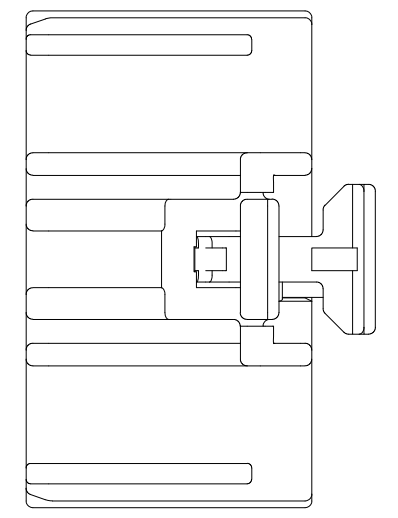
3D View



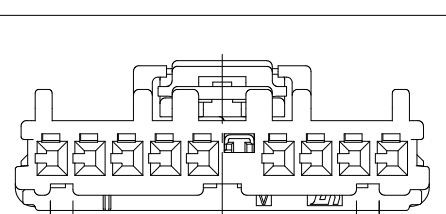
TPA 2nd. lock position



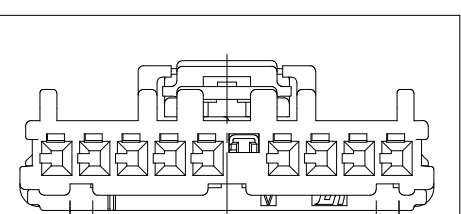
CPA 2nd. lock position



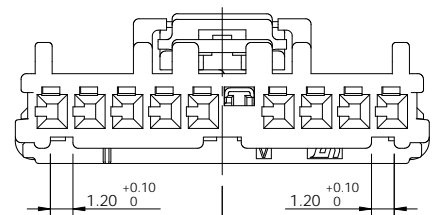
Section A-A



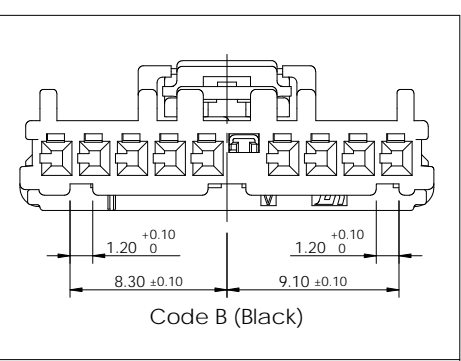
Code A (Natural)



Code B (Black)

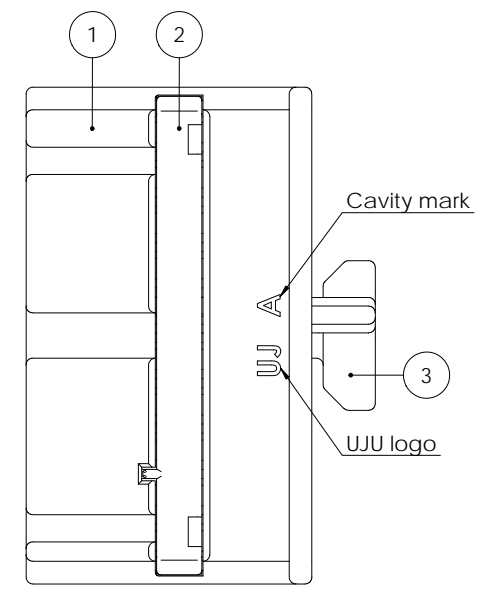


Code C (Brown) (C)



On request, development is scheduled.

Code D (Blue)



-Note-

- General tolerance : Refer to DIN 16742 TG6 specification.
- Delivery condition : TPA/CPA 1st. lock position
- Burr Max.0.3
- No crack
- All letters shall be clear and legible.
- Packing : Tray
- Flammability : UL94-V0
- Applicable receptacle : KH1700007 (020_D_F_TML)
- Material : Copper alloy
- Wire size : 0.3mm² ~ 0.5mm²
- Matching part
- KH1900041 (020_D_C_SMT_9M_H_ASSY)
- KH1900062 (020_D_C_SMT_9M_V_ASSY)
- Avoid matching part
- KH1800103 (020_D_SMT_10M_H_ASSY)
- KH1800028 (020_D_SMT_10M_V_ASSY)

Code	Part No.	Description
D	-	020_D_C_9F_ASSY_BL
C	KH1900023-42	020_D_C_9F_ASSY_BR
B	KH1900023-21	020_D_C_9F_ASSY_BK
A	KH1900023-10	020_D_C_9F_ASSY_NR

No.	Description	Material	Finish / Color	Q'ty
3	020_D_C_3F_CPA_RE	PBT-GF30	Red	1 1 1 1
2	020_D_C_9F_TPA_GR	PBT-GF30	Gray	1 1 1 1
1	020_D_C_9F_HSG_BL	PBT-GF30	Blue	1 - - -
	020_D_C_9F_HSG_BR	PBT-GF30	Brown	- 1 - -
	020_D_C_9F_HSG_BK	PBT-GF30	Black	- - 1 -
	020_D_C_9F_HSG_NR	PBT-GF30	Natural	- - - 1

DRWN JK. HWANG	CHKD SJ. LEE	APVD CY. CHOI	NAME 020_D_C_9F_ASSY			
MATERIAL SEE TABLE			CUSTOMER DRAWING KH1900023			
FINISH/COLOR SEE TABLE			DRAWING NO. KH1900023		REV C	
LOC RESTRICTED TO		SIZE A3	SCALE 3:1	SHEET 1 of 1	REV C	

TOLERANCES UNLESS OTHERWISE SPECIFIED	UNIT MM
0 ±	THIRD ANGLE PROJECTION
0.0 ±	
0.00 ±	
0.000 ±	
0.0000 ±	
ANGLES ±	
PRODUCT SPEC	APPLICATION SPEC