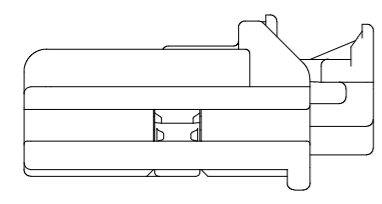
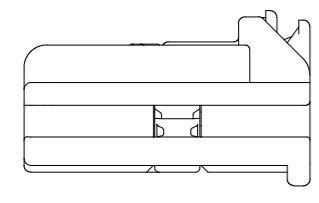


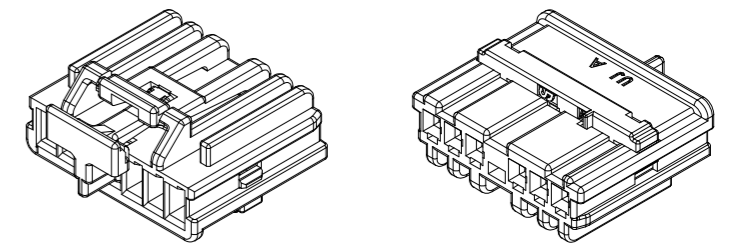
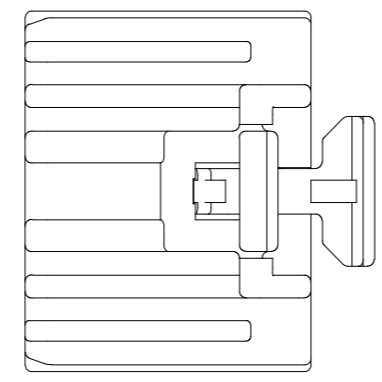
REV	REVISION RECORD	DATE	DRWN	CHKD	APVD
A	RELEASED (RD-2020-118)	08 SEP '20	JK	KH	CY
B	CHANGED (RD-2020-156)	18 NOV '20	JK	KH	CY
C	CHANGED (RD-2022-012)	26 JAN '22	JK	KH	CY



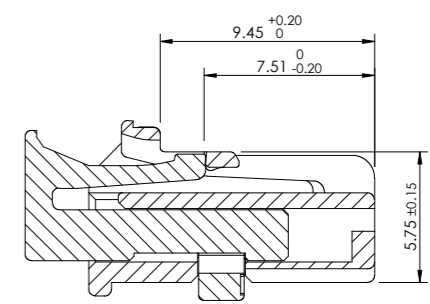
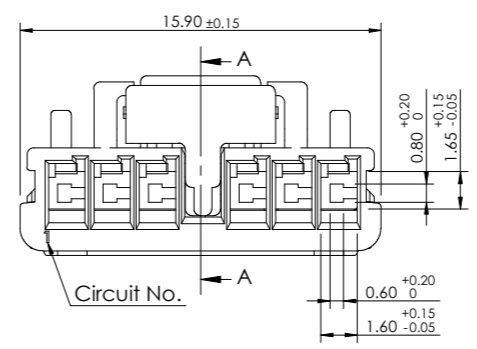
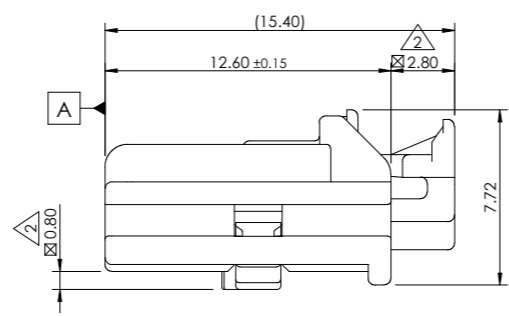
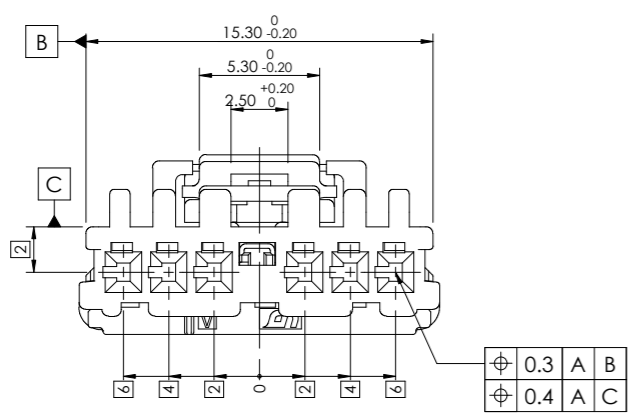
TPA 2nd. lock position



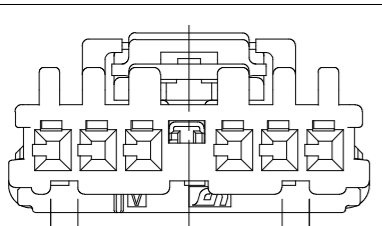
CPA 2nd. lock position



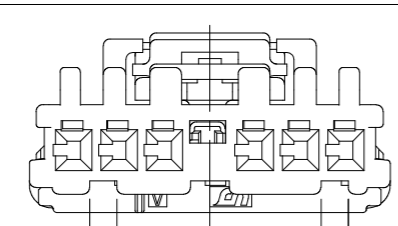
3D View



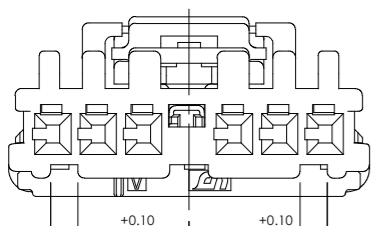
Section A-A



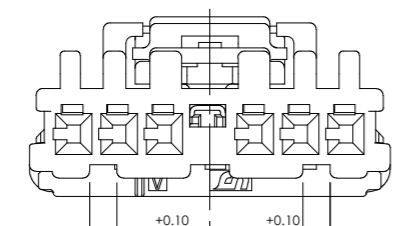
Code A (Natural)



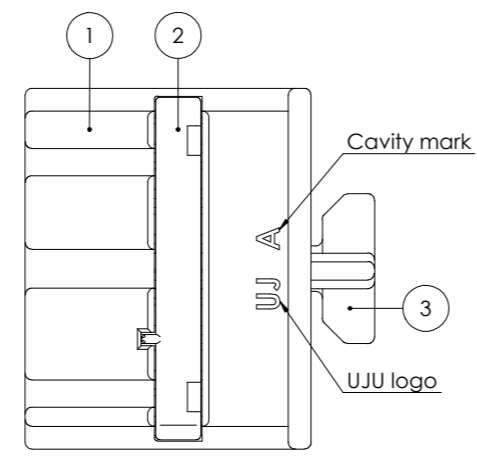
Code B (Black)



Code C (Brown)



Code D (Blue)



-Note-

- General tolerance : Refer to DIN 16742 TG6 specification.
- Delivery condition : TPA/CPA 1st. lock position
- Burr Max.0.3
- No crack
- All letters shall be clear and legible.
- Packing : Tray
- Flammability : UL94-V0
- Applicable receptacle : KH1700007 (020_D_F_TML)
- Material : Copper alloy
- Wire size : 0.3mm ~ 0.5mm
- Matching part
- KH1900039 (020_D_C_SMT_6M_H_ASSY)
- KH1900060 (020_D_C_SMT_6M_V_ASSY)
- Avoid matching part
- KH1800099 (020_D_SMT_7M_H_ASSY)
- KH1800089 (020_D_SMT_7M_V_ASSY)

Code	Part No.	Description
D	KH1900019-83	020_D_C_6F_ASSY_BL
C	KH1900019-42	020_D_C_6F_ASSY_BR
B	KH1900019-21	020_D_C_6F_ASSY_BK
A	KH1900019-10	020_D_C_6F_ASSY_NR

No.	Description	Material	Finish / Color	Q'ty
3	020_D_C_2F_CPA_RE	PBT-GF30	Red	1 1 1 1
2	020_D_C_6F_TPA_GR	PBT-GF30	Gray	1 1 1 1
1	020_D_C_6F_HSG_BL	PBT-GF30	Blue	1 - - -
	020_D_C_6F_HSG_BR	PBT-GF30	Brown	- 1 - -
	020_D_C_6F_HSG_BK	PBT-GF30	Black	- - 1 -
	020_D_C_6F_HSG_NR	PBT-GF30	Natural	- - - 1

DRWN JK. HWANG	<p>(주)우주 일렉트로닉스 UJU Electronics co.,Ltd.</p>	NAME	
CHKD KH. PARK		020_D_C_6F_ASSY	
APVD CY. CHOI		DRAWING NO	
MATERIAL	SEE TABLE	CUSTOMER	KH1900019
FINISH/COLOR	SEE TABLE	DRAWING	
WEIGHT		LOC	RESTRICTED TO
UNIT	MM	SIZE	A3
THIRD ANGLE PROJECTION		SCALE	3:1
PRODUCT SPEC	APPLICATION SPEC	SHEET	1 of 1
		REV	C