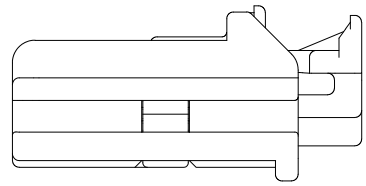
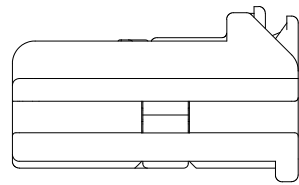


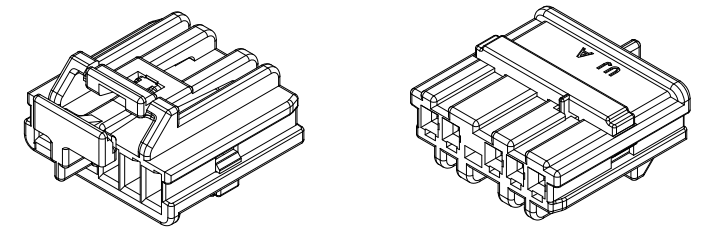
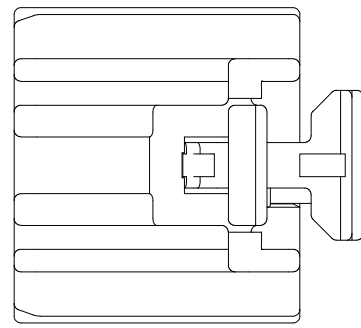
REV	REVISION RECORD	DATE	DRWN	CHKD	APVD
A	RELEASED (RD-2020-152)	12 NOV '20	JK	KH	CY
B	CHANGED (RD-2020-156)	18 NOV '20	JK	KH	CY



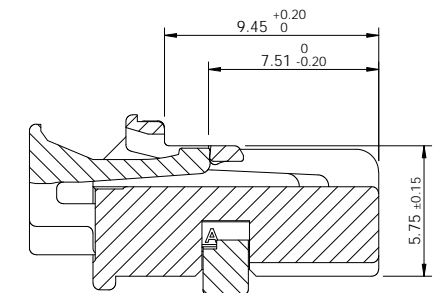
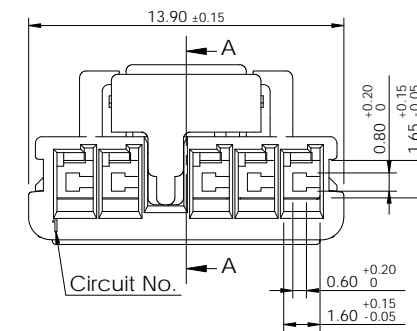
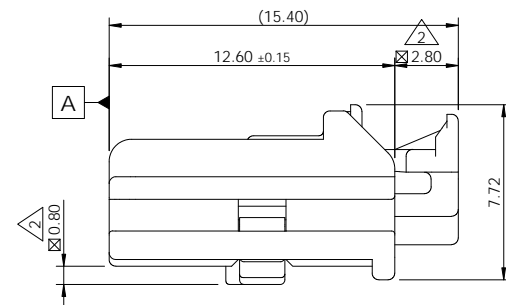
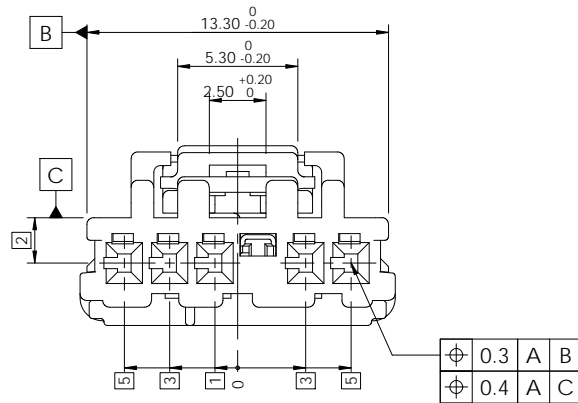
TPA 2nd. lock position



CPA 2nd. lock position



3D View



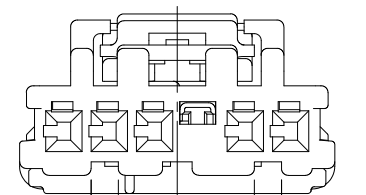
Section A-A

Code	Part No.	Description
D		020_D_C_5F_ASSY_BL
C		020_D_C_5F_ASSY_BR
B		020_D_C_5F_ASSY_BK
A		020_D_C_5F_ASSY_NR

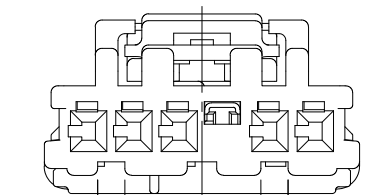
-Note-

- General tolerance : Refer to DIN 16742 TG6 specification.
- Delivery condition : TPA/CPA 1st. lock position
- Burr Max.0.3
- No crack
- All letters shall be clear and legible.
- Packing : Tray
- Flammability : UL94-V0
- Applicable receptacle : KH1700007 (020_D_F_TML)
 - Material : Copper alloy
 - Wire size : 0.3mm² ~ 0.5mm²
- Matching part
 - KH1900038 (020_D_C_SMT_5M_H_ASSY)
 - KH1900059 (020_D_C_SMT_5M_V_ASSY)
- Avoid matching part
 - KH1700116 (020_D_SMT_6M_H_ASSY)
 - KH1800087 (020_D_SMT_6M_V_ASSY)

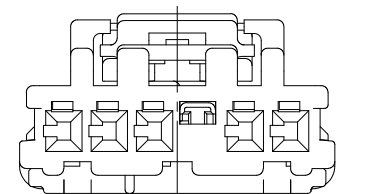
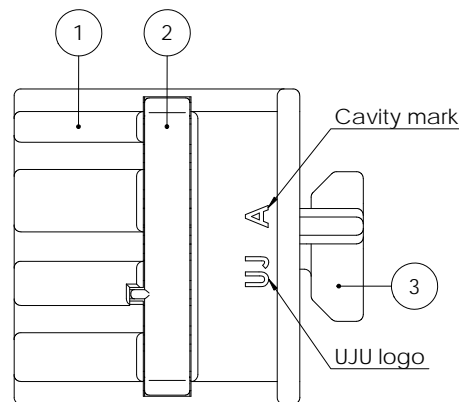
No.	Description	Material	Finish / Color	Q'ty
3	020_D_C_3F_CPA_RE	PBT-GF30	Red	1 1 1 1
2	020_D_C_5F_TPA_GR	PBT-GF30	Gray	1 1 1 1
1	020_D_C_5F_HSG_BL	PBT-GF30	Blue	1 - - -
	020_D_C_5F_HSG_BR	PBT-GF30	Brown	- 1 - -
	020_D_C_5F_HSG_BK	PBT-GF30	Black	- - 1 -
	020_D_C_5F_HSG_NR	PBT-GF30	Natural	- - - 1



Code A (Natural)



Code B (Black)



Code C (Brown)

On request, development is scheduled.

Code D (Blue)

TOLERANCES UNLESS OTHERWISE SPECIFIED	UNIT MM
0 ±	THIRD ANGLE PROJECTION
0.0 ±	
0.00 ±	
0.000 ±	
0.0000 ±	
ANGLES ±	
PRODUCT SPEC	APPLICATION SPEC

DRWN JK. HWANG	 (주)우주일렉트로닉스 UJU Electronics co.,Ltd.					
CHKD KH. PARK						
APVD CY. CHOI	NAME 020_D_C_5F_ASSY					
MATERIAL SEE TABLE	CUSTOMER DRAWING KH1900017					
FINISH/COLOR SEE TABLE	LOC	RESTRICTED TO	SIZE A3	SCALE 3:1	SHEET 1 of 1	REV B
WEIGHT						