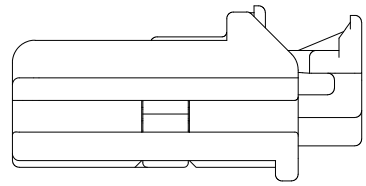
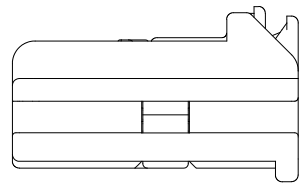


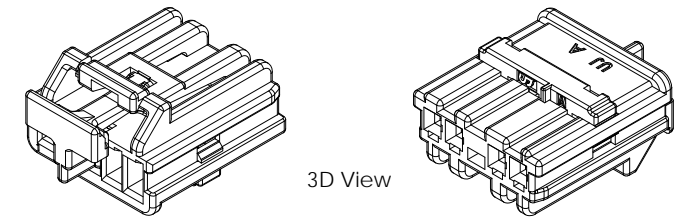
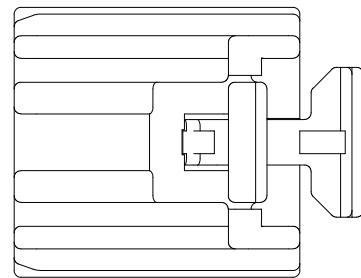
REV	REVISION RECORD	DATE	DRWN	CHKD	APVD
A	RELEASED (RD-2020-162)	07 DEC '20	JK	KH	CY



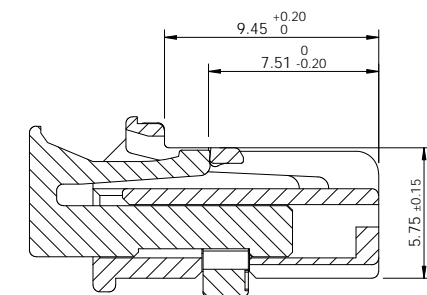
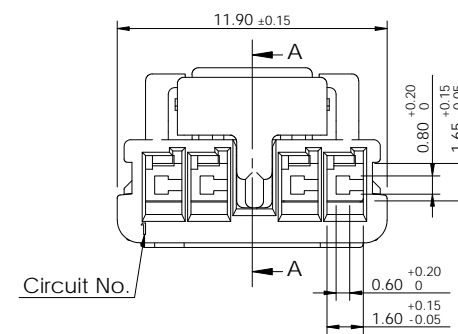
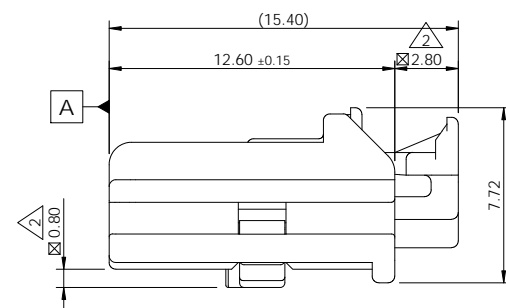
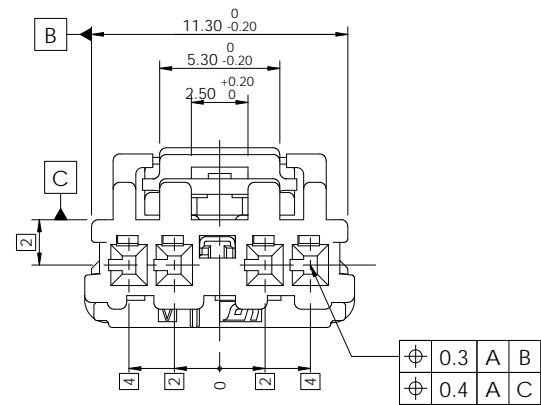
TPA 2nd. lock position



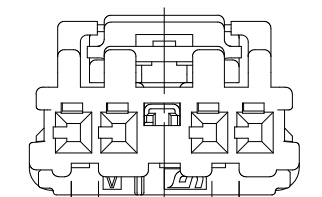
CPA 2nd. lock position



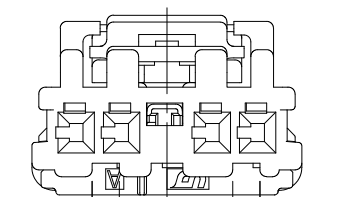
3D View



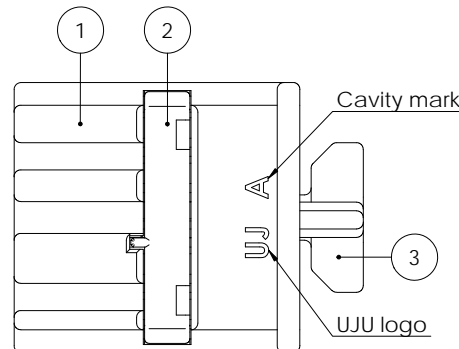
Section A-A



Code A (Natural)



Code B (Black)



On request, development is scheduled.

Code C (Brown)

On request, development is scheduled.

Code D (Blue)

-Note-

- General tolerance : Refer to DIN 16742 TG6 specification.
- Delivery condition : TPA/CPA 1st. lock position
- Burr Max.0.3
- No crack
- All letters shall be clear and legible.
- Packing : Tray
- Flammability : UL94-V0
- Applicable receptacle : KH1700007 (020_D_F_TML)
 - Material : Copper alloy
 - Wire size : 0.3mm² ~ 0.5mm²
- Matching part
 - KH1900037 (020_D_C_SMT_4M_H_ASSY)
 - KH1900058 (020_D_C_SMT_4M_V_ASSY)
- Avoid matching part
 - KH1800097 (020_D_SMT_5M_H_ASSY)
 - KH1800085 (020_D_SMT_5M_V_ASSY)

Code	Part No.	Description
D	-	020_D_C_4F_ASSY_BL
C	-	020_D_C_4F_ASSY_BR
B	KH1900015-21	020_D_C_4F_ASSY_BK
A	KH1900015-10	020_D_C_4F_ASSY_NR

No.	Description	Material	Finish / Color	Q'ty
3	020_D_C_2F_CPA_RE	PBT-GF30	Red	1 1 1 1
2	020_D_C_4F_TPA_GR	PBT-GF30	Gray	1 1 1 1
1	020_D_C_4F_HSG_BL	PBT-GF30	Blue	1 - - -
	020_D_C_4F_HSG_BR	PBT-GF30	Brown	- 1 - -
	020_D_C_4F_HSG_BK	PBT-GF30	Black	- - 1 -
	020_D_C_4F_HSG_NR	PBT-GF30	Natural	- - - 1

DRWN JK. HWANG	(주)우주 일렉트로닉스 UJU Electronics co.,Ltd.
CHKD KH. PARK	
APVD CY. CHOI	NAME
MATERIAL SEE TABLE	020_D_C_4F_ASSY
FINISH/COLOR SEE TABLE	CUSTOMER DRAWING
WEIGHT	KH1900015
LOC RESTRICTED TO	SIZE SCALE SHEET
A3 3:1	1 of 1
REV A	

TOLERANCES UNLESS OTHERWISE SPECIFIED	UNIT MM	THIRD ANGLE PROJECTION
0 ±		
0.0 ±		
0.00 ±		
0.000 ±		
0.0000 ±		
ANGLES ±		
PRODUCT SPEC	APPLICATION SPEC	