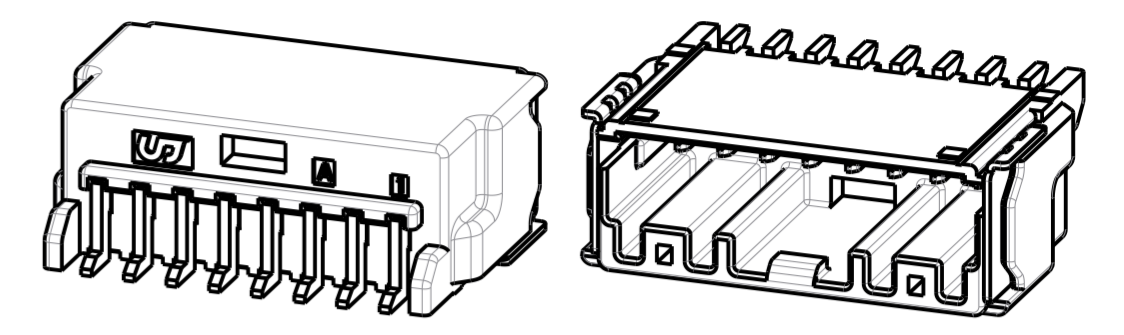
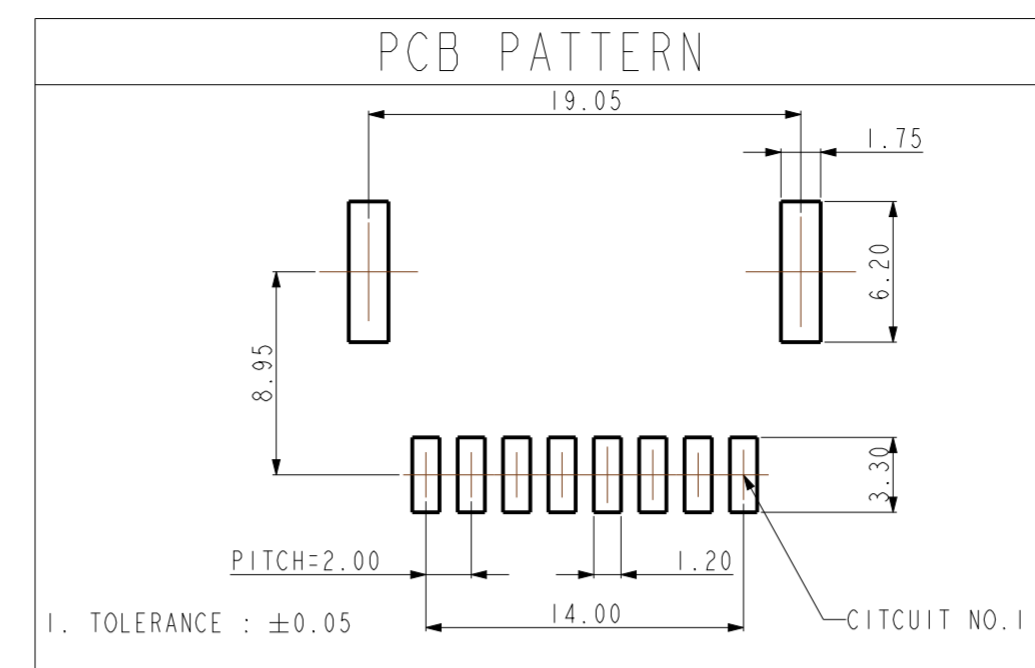
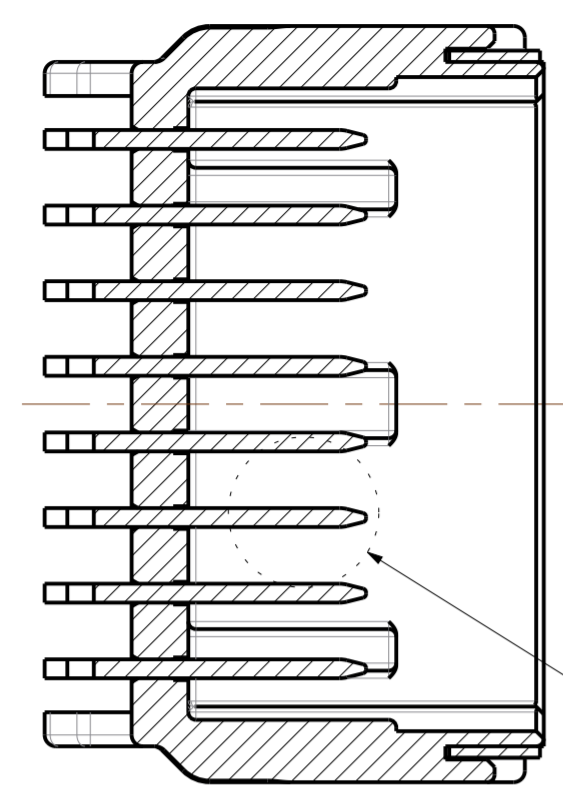


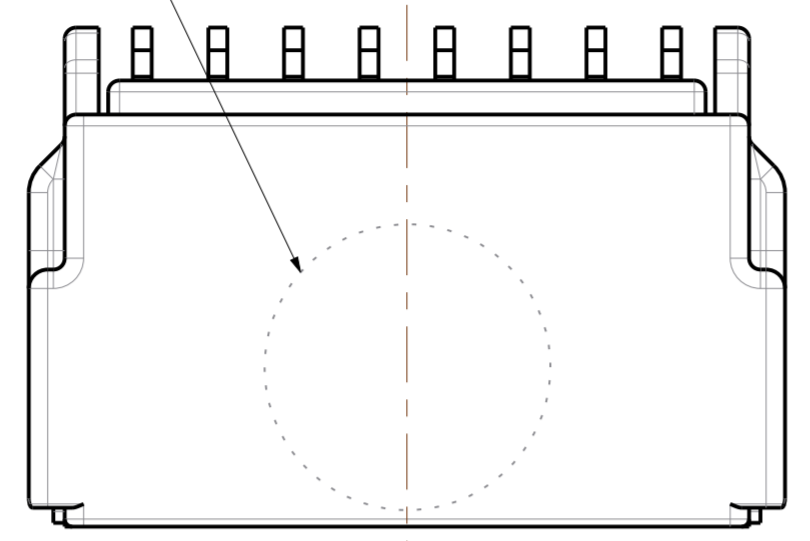
| REV | REVISION RECORD | DATE | DRWN | CHKD | APVD |
|-----|-----------------------|-----------|------|------|------|
| A | RELEASED | 21.JUN'19 | DR | KH | CY |
| B | REVISED (RD-2020-029) | 02.MAR'20 | DR | KH | CY |
| C | REVISED (RD-2020-140) | 23.OCT'20 | DR | KH | CY |



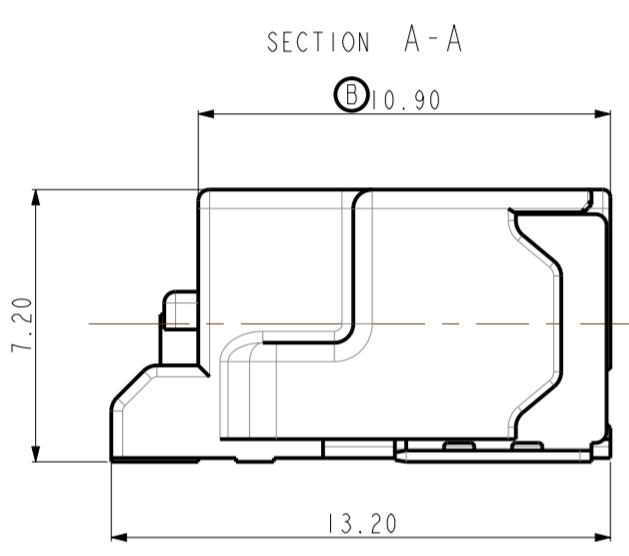
ISO VIEW



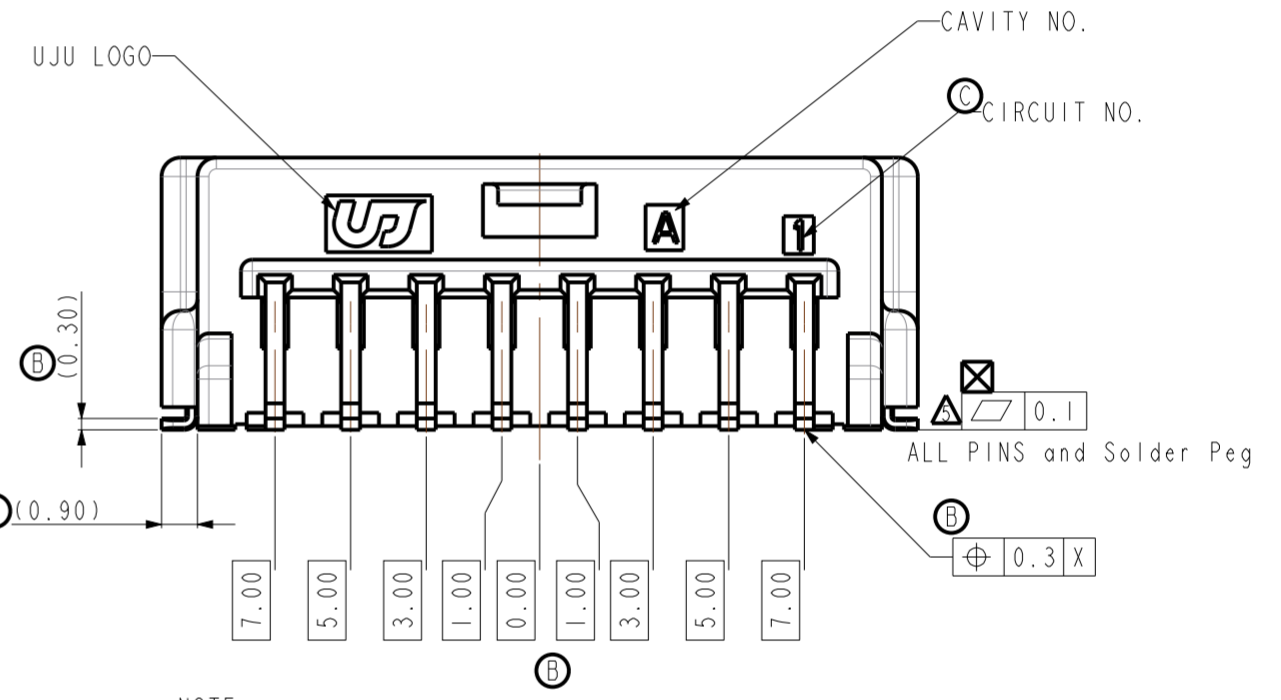
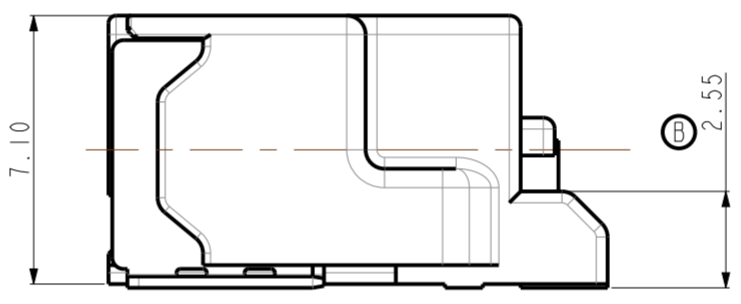
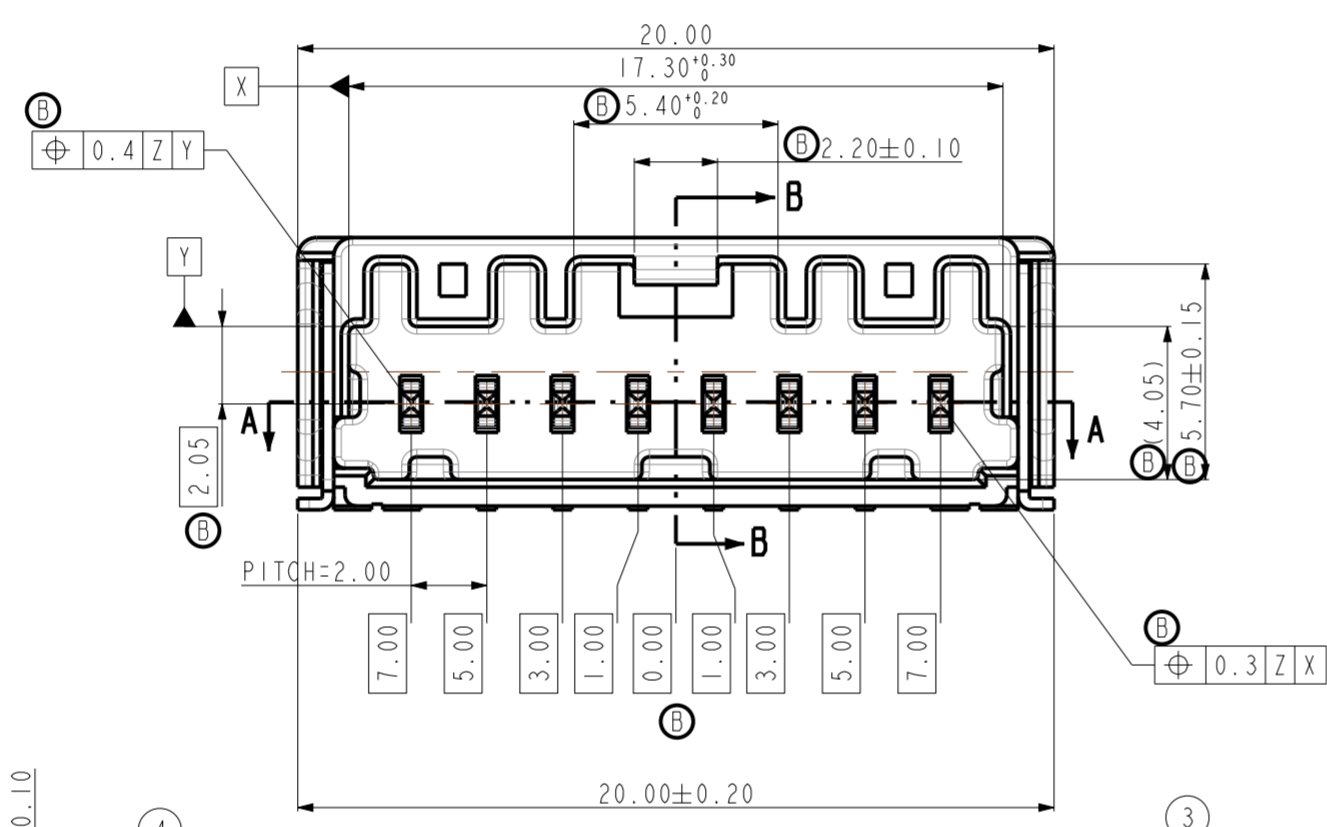
△B
(MAX. Ø8.0)



SEE DETAIL A



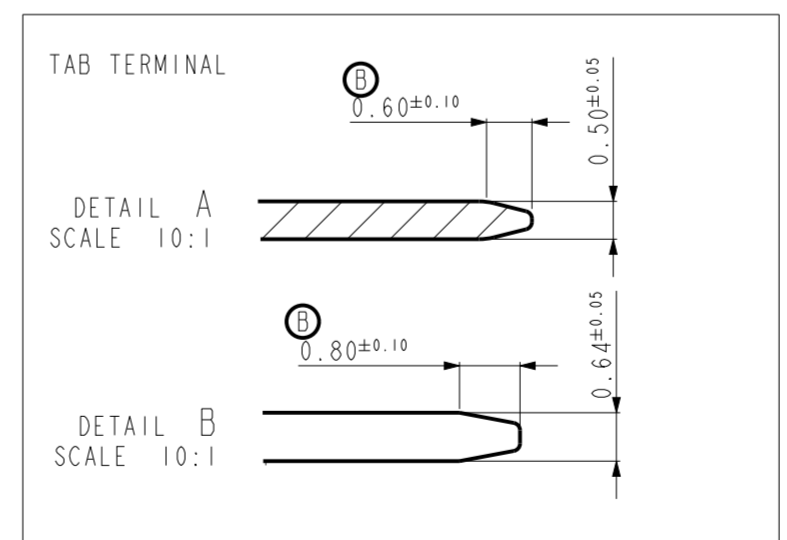
SECTION A-A



ALL PINS and Solder Peg

NOTE.

- GENERAL TOLERANCE : REFER TO DIN 16742 T65 SPECIFICATION.
- BURR 0.3 MAX.
- NO CRACK
- ALL LETTERS SHALL BE CLEAR AND LEGIBLE
- MEASURING THE DIMENSIONS OF TAB TML AND SOLDER PEG.
- FINISH TAB TML AND SOLDER PEG
TIN PLATING : 2.0~4.0um MATTE OVER NICKEL PLATING 0.8~2.0um MATTE
- PACKING : EMBOSS TAPE
- FLAMMABILITY : UL94 - HB
- VACUM GRIP AREA FREE OF BURR AND FACTOR PINS. MAX Ø8.0mm



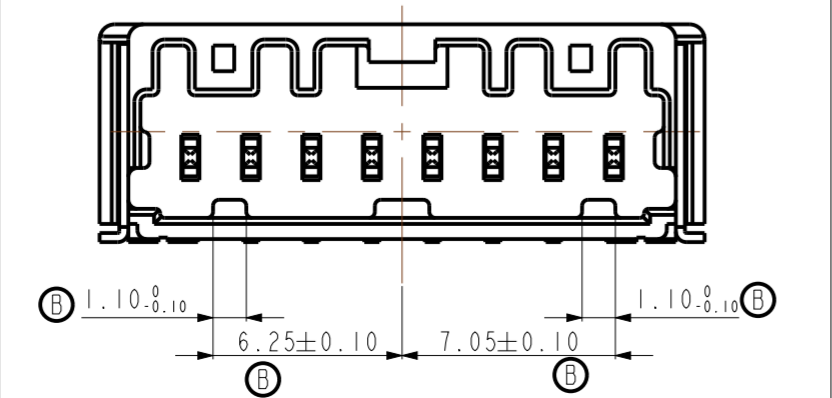
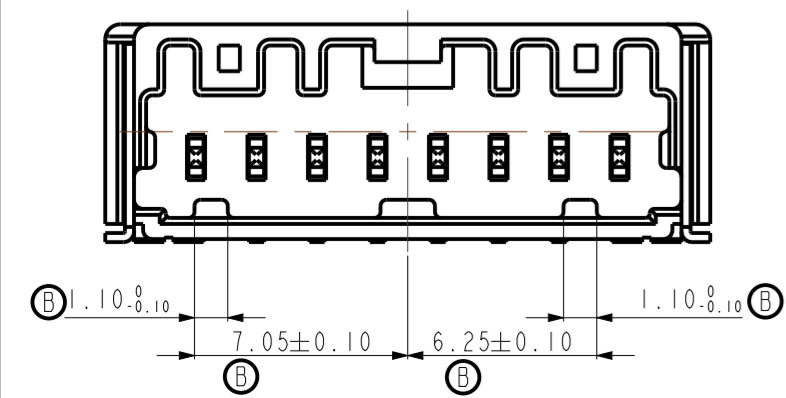
TAB TERMINAL

DETAIL A
SCALE 10:1

DETAIL B
SCALE 10:1

CODE A (NATURAL)

CODE B (BLACK)



| NO | DESCRIPTION | MATERIAL | FINISH/COLOR | Q'TY |
|----|--------------------------------|-----------|--------------|------|
| ④ | 020 SMT SOLDER PEG-LEFT (HZT) | BRASS | POST-TIN | 1 1 |
| ③ | 020 SMT SOLDER PEG-RIGHT (HZT) | BRASS | POST-TIN | 1 1 |
| ② | 020 SMT TAB TML (HZT) | BRASS | POST-TIN | 8 8 |
| ① | 020_D-SMT_8M_H_HSG_BK | PA9T-GF30 | BLACK | 1 - |
| ① | 020_D-SMT_8M_H_HSG_NR | PA9T-GF30 | NATURAL | - 1 |

| | | | |
|------------------|-----------|--|-----------------------|
| DRWN | DR KOO | (주)우주 일렉트로닉스 UJU Electronics co.,Ltd. | |
| CHKD | KH PARK | | |
| APVD | CY CHOI | NAME | 020_D-SMT_8M_H_ASSY_G |
| MATERIAL | SEE TABLE | CUSTOMER | DRAWING NO |
| FINISH/COLOR | SEE TABLE | DRAWING | KH1810101 |
| WEIGHT | - | LOC | RESTRICTED TO |
| PRODUCT SPEC | - | SIZE | SCALE |
| APPLICATION SPEC | - | SHEET | 1 OF 1 |
| | | REV | C |