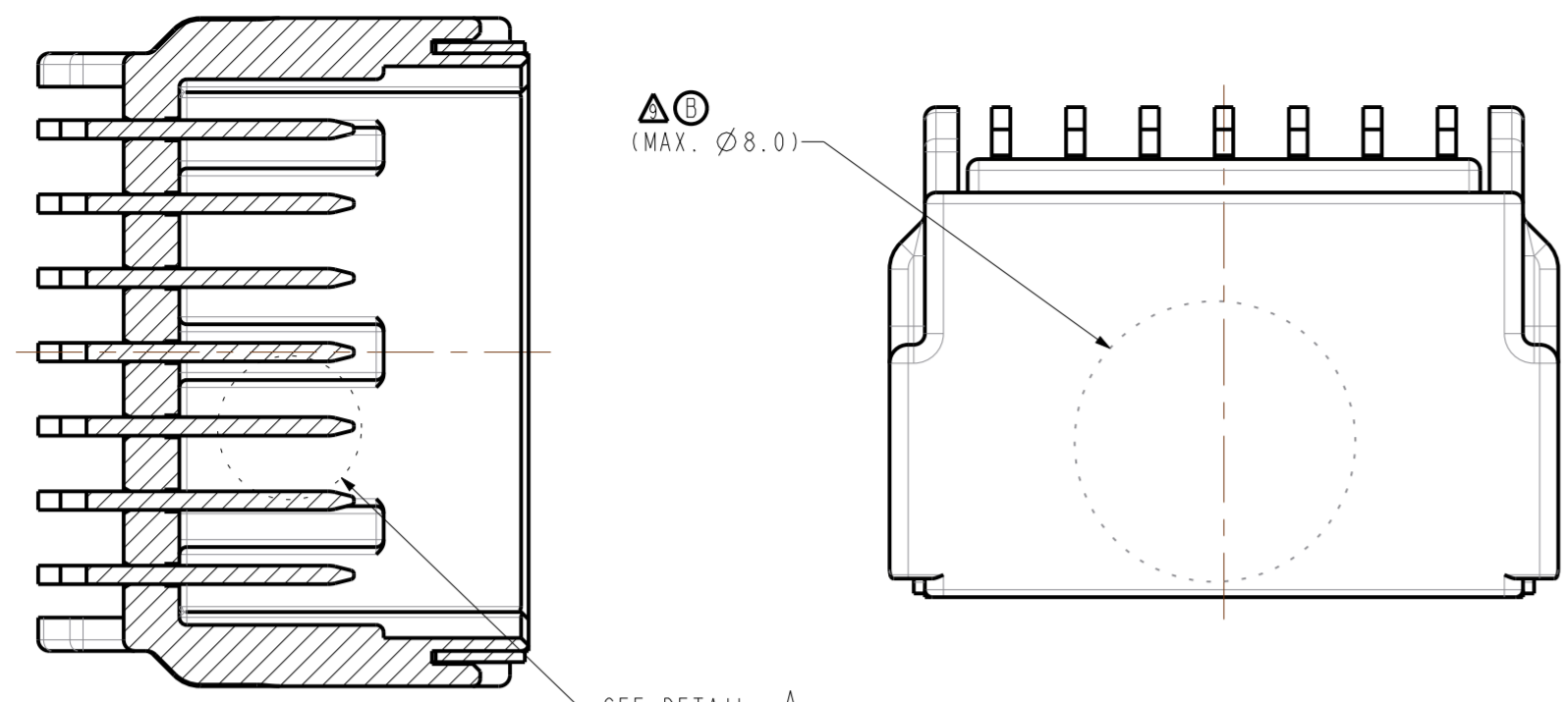
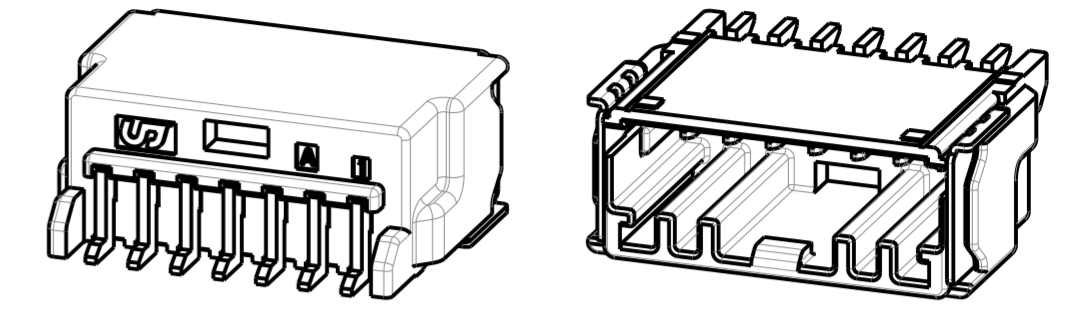
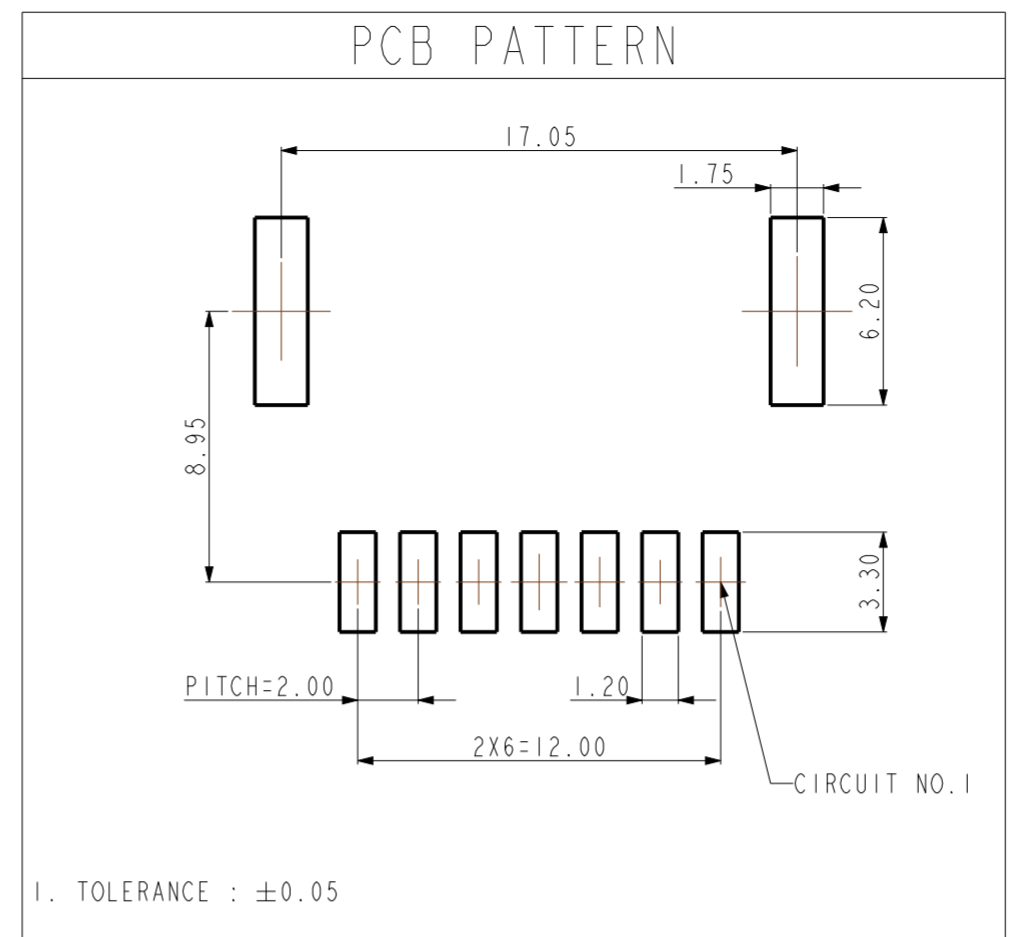


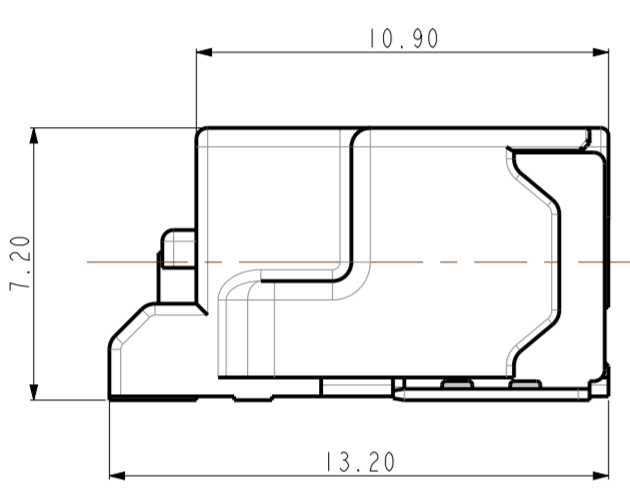
REV	REVISION RECORD	DATE	DRWN	CHKD	APVD
A	RELEASED	21.JUN'19	DR	KH	CY
B	REVISED (RD-2020-029)	09.MAR'20	DR	KH	CY
C	REVISED (RD-2020-140)	23.OCT'20	DR	KH	CY



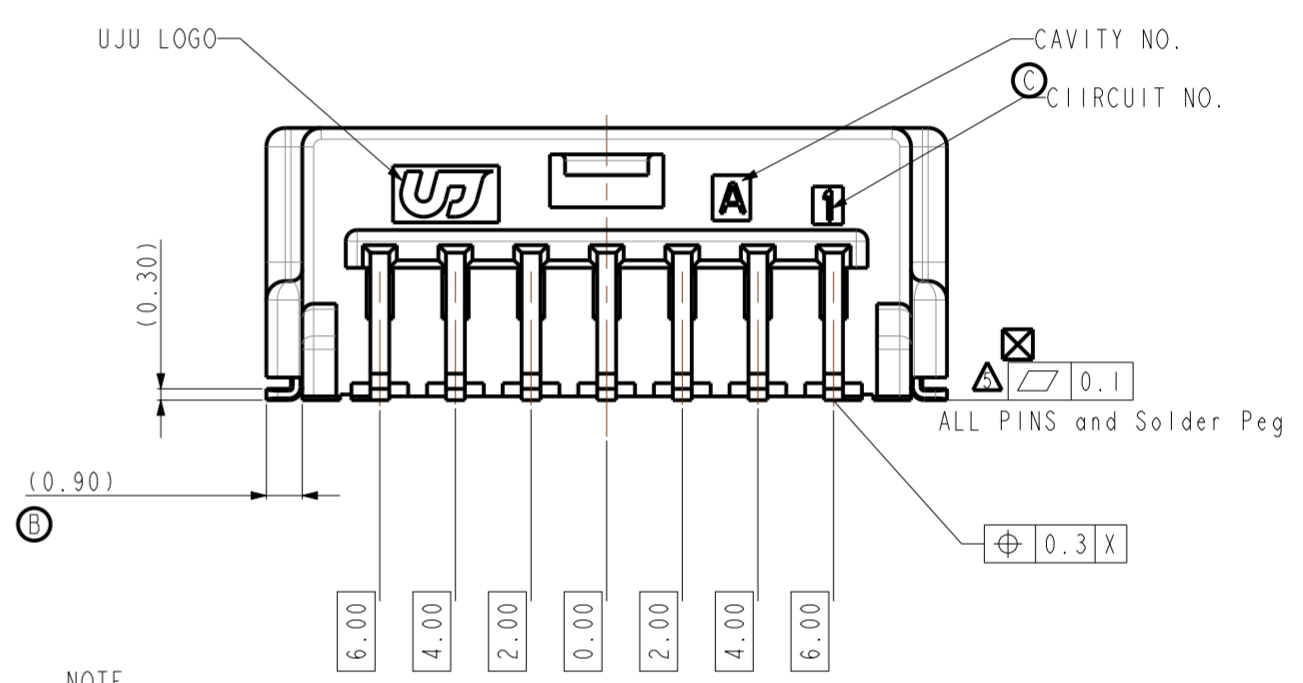
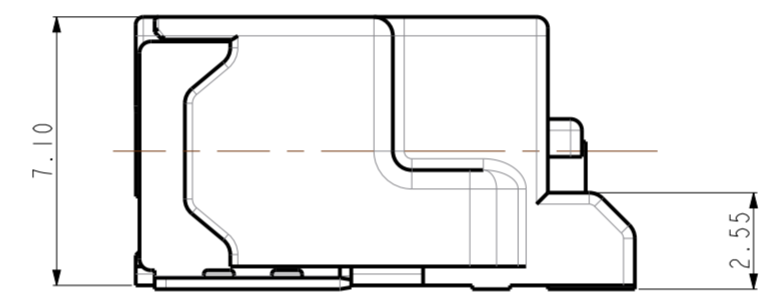
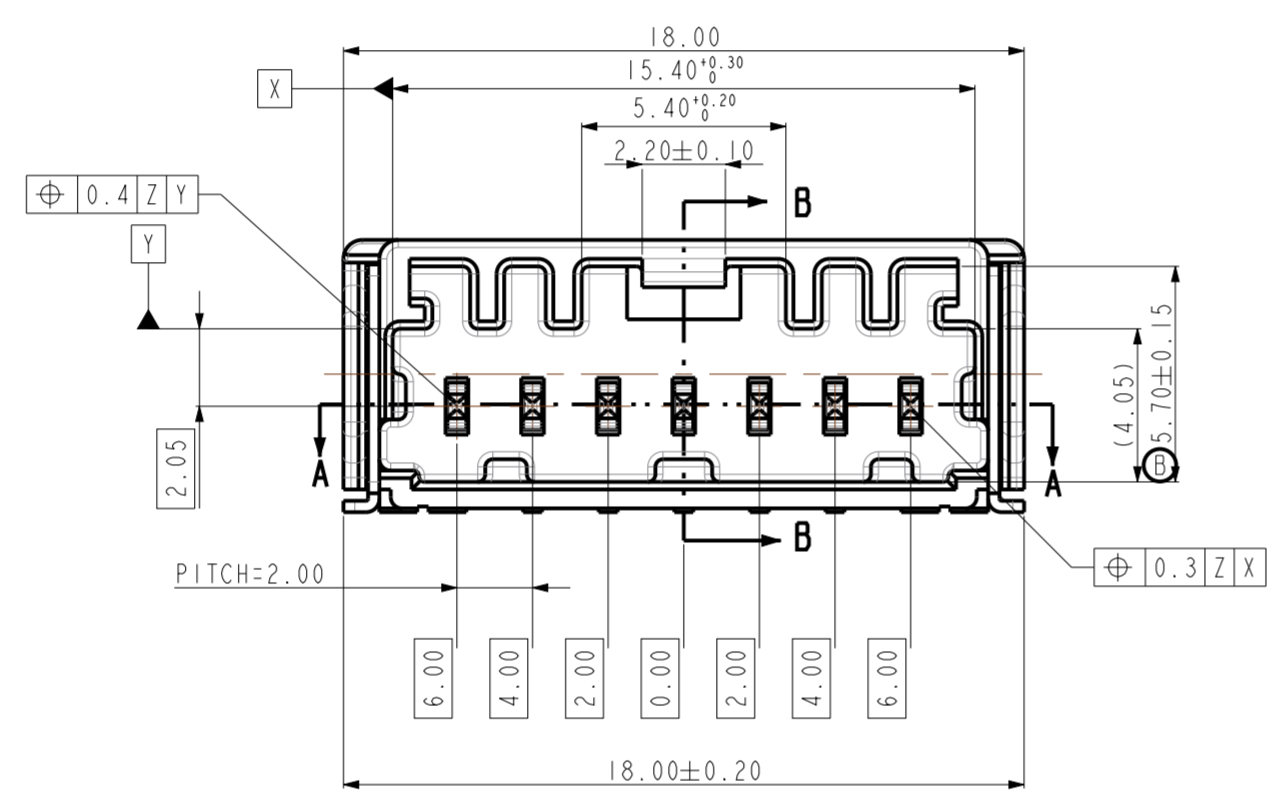
SECTION A-A



ISO VIEW

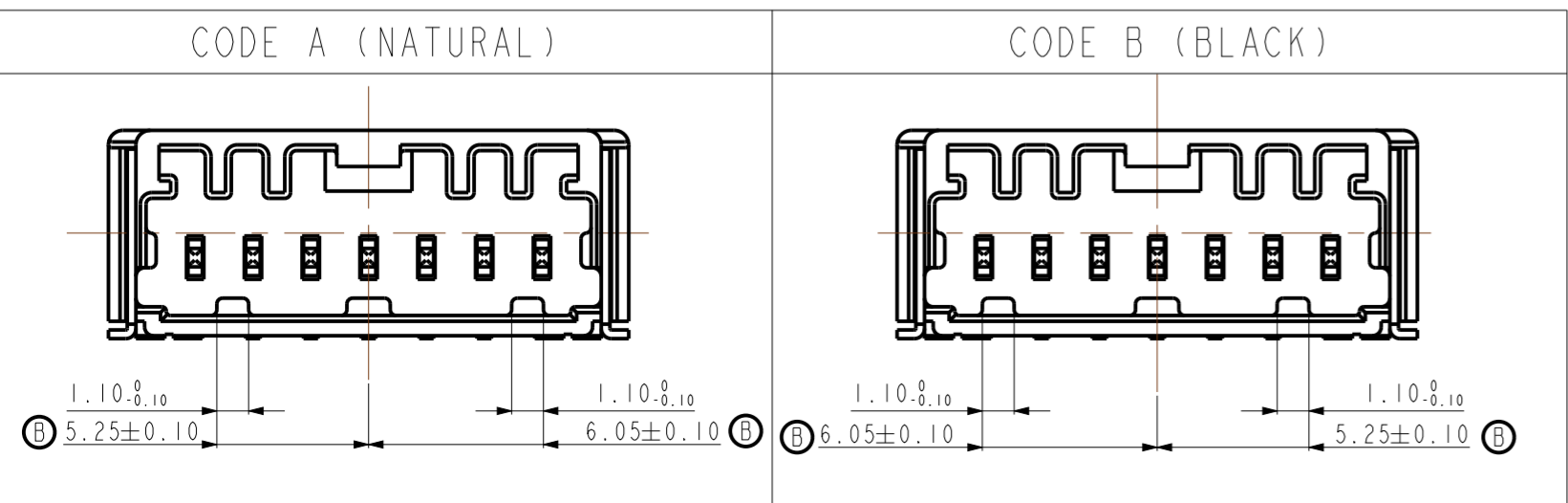
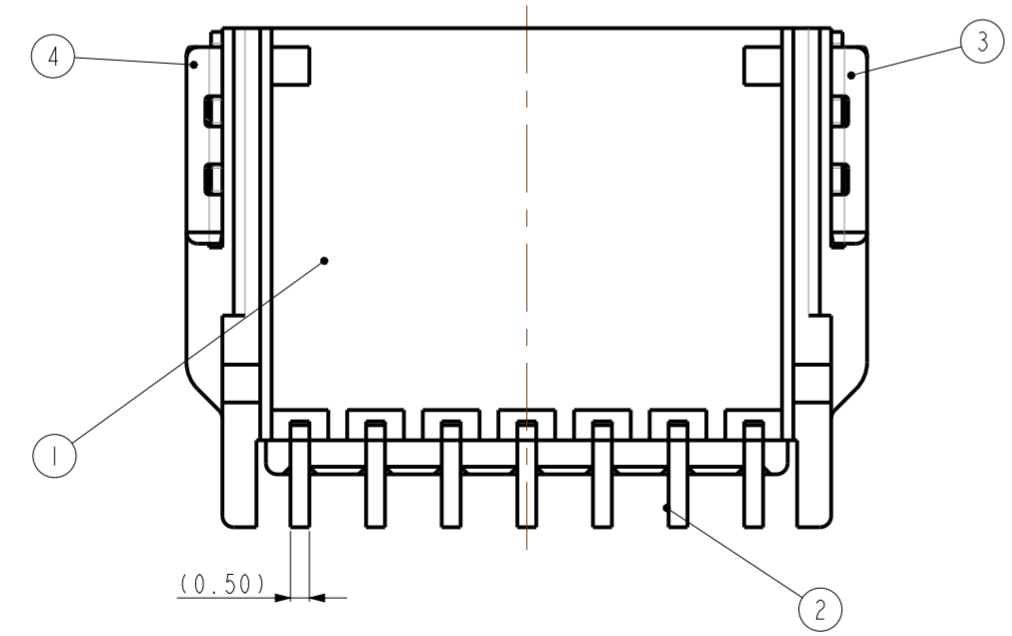
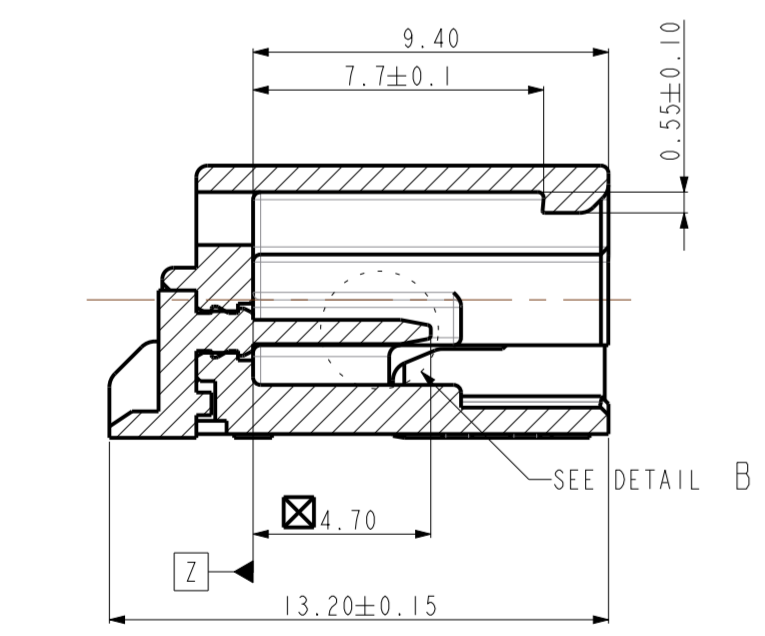
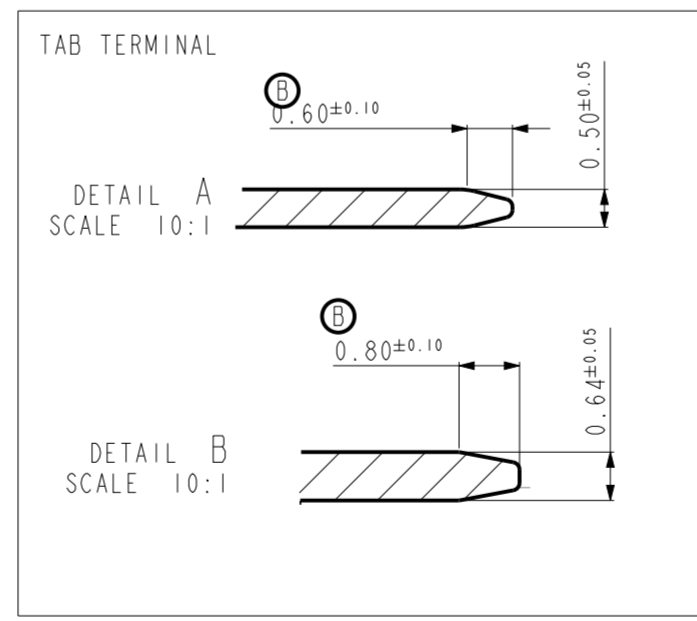


SECTION B-B



NOTE.

1. GENERAL TOLERANCE : REFER TO DIN 16742 TG5 SPECIFICATION
 2. BURR 0.3 MAX.
 3. NO CRACK
 4. ALL LETTERS SHALL BE CLEAR AND LEGIBLE
 5. MEASURING THE DIMENSIONS OF TAB TML AND SOLDER PEG.
 6. FINISH TAB TML AND SOLDER PEG
TIN PLATING : 2.0~4.0um MATTE OVER NICKEL PLATING 0.8~2.0um MATTE
 7. PACKING : EMBOSS TAPE
 8. FLAMMABILITY : UL94 - HB
- Ⓟ Ⓡ VACUUM GRIP AREA FREE OF BURR AND FECTOR PINS. MAX Ø8.0mm



NO	DESCRIPTION	MATERIAL	FINISH/COLOR	Q'TY
④	020 SMT SOLDER PEG-LEFT (H2T)	BRASS	POST-TIN	1
③	020 SMT SOLDER PEG-RIGHT (H2T)	BRASS	POST-TIN	1
②	020 SMT TAB TML (H2T)	BRASS	POST-TIN	7
①	020_D-SMT_7M_H-HSG_BK	PA9T GF30	BLACK	-
①	020_D-SMT_7M_H-HSG_NR	PA9T GF30	NATURAL	-

DRWN	DR KOO	(주)우주 일렉트로닉스 UJU Electronics co.,Ltd.	NAME			
CHKD	KH PARK		020_D-SMT_7M_H_ASSY_G			
APVD	CY CHOI		DRAWING NO. KH1810099			
MATERIAL		SEE TABLE	CUSTOMER		DRAWING	
FINISH/COLOR		SEE TABLE	DRAWING		NO.	
WEIGHT		-	LOC	RESTRICTED TO	SIZE	
SCALE		5:1	SHEET		REV	
SHEET		1 OF 1	REV		C	

TOLERANCES UNLESS OTHERWISE SPECIFIED	UNIT MM
0	THIRD ANGLE PROJECTION
0.0	
0.00	
0.000	
0.0000	
ANGLES	
PRODUCT SPEC	APPLICATION SPEC
-	-