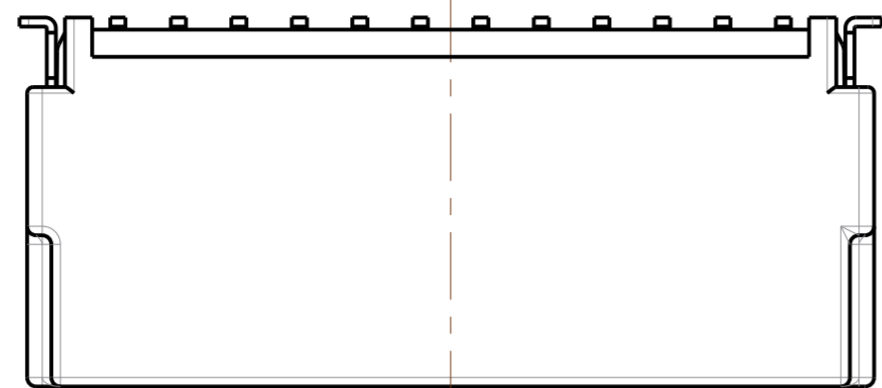
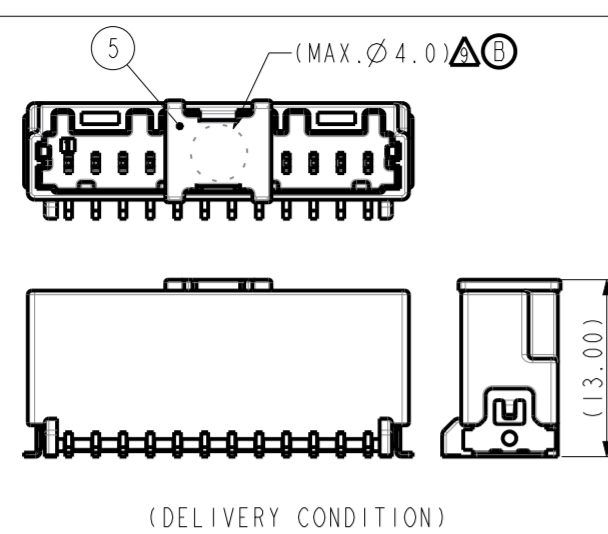
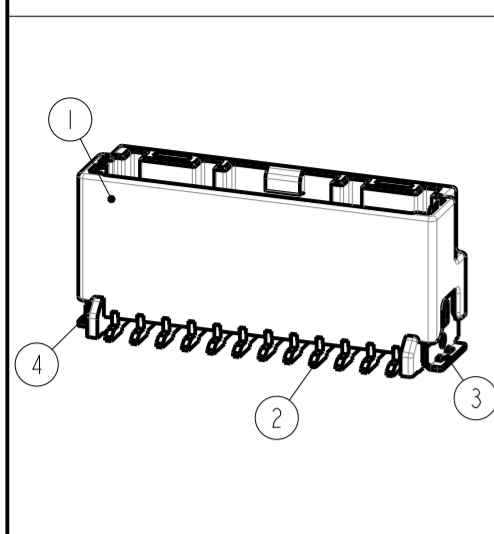
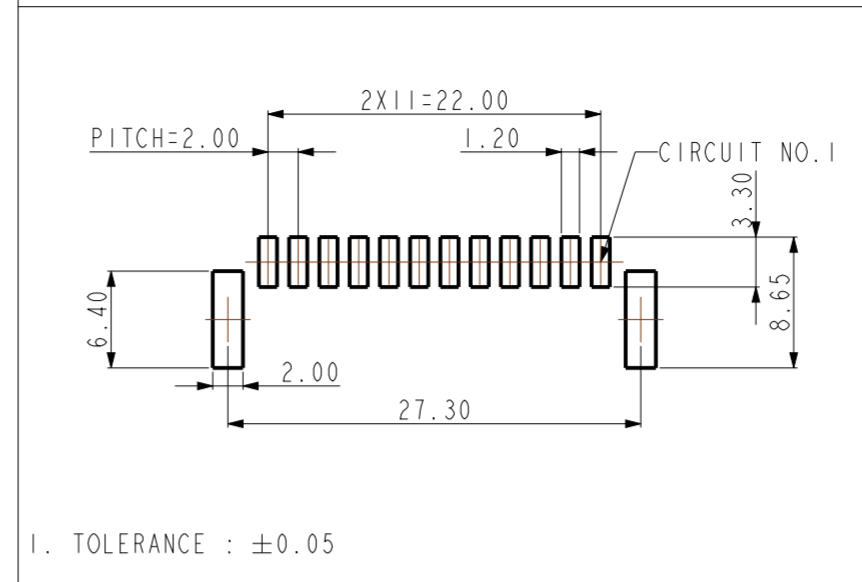


ASSEMBLY WITHOUT COVER

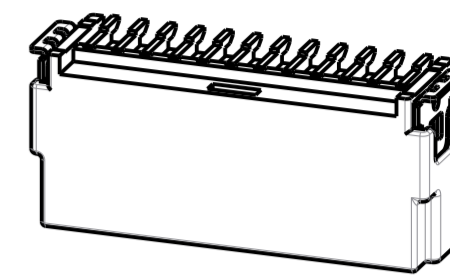
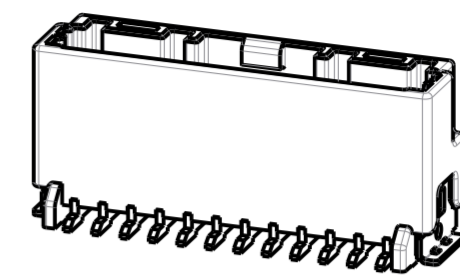
ASSEMBLY WITH COVER



PCB PATTERN

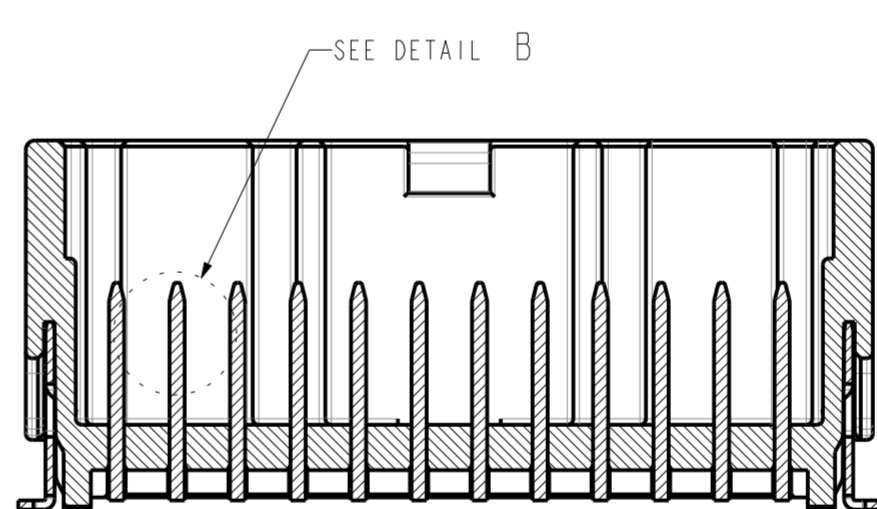
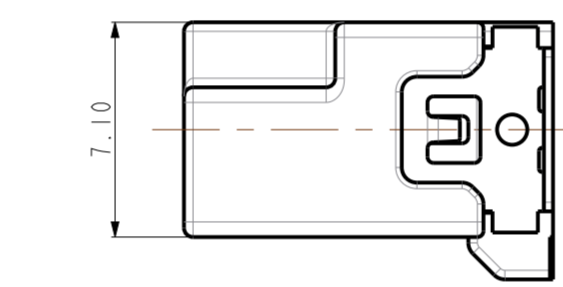
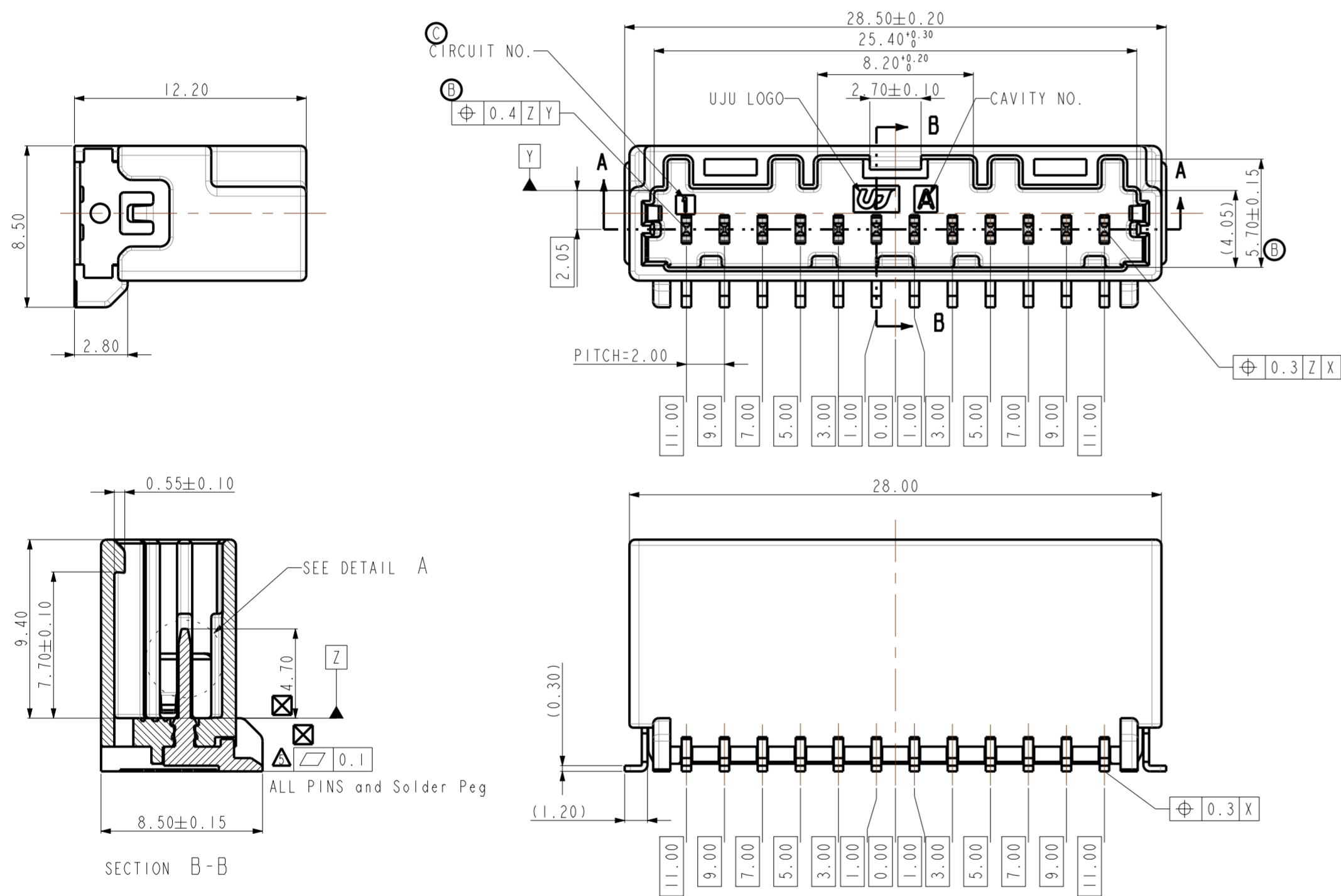


REV	REVISION RECORD	DATE	DRWN	CHKD	APVD
A	RELEASED	21. JUN '19	DR	KH	CY
B	REVISED (RD-2020-029)	09. MAR '20	DR	KH	CY
C	REVISED (RD-2020-140)	23. OCT '20	DR	KH	CY

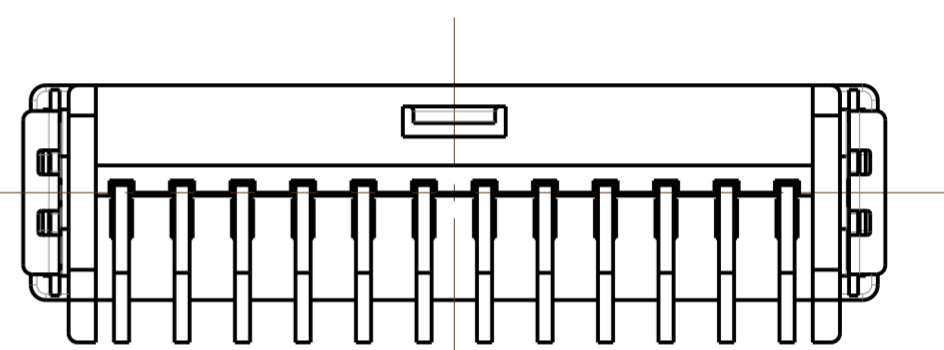


ISO VIEW

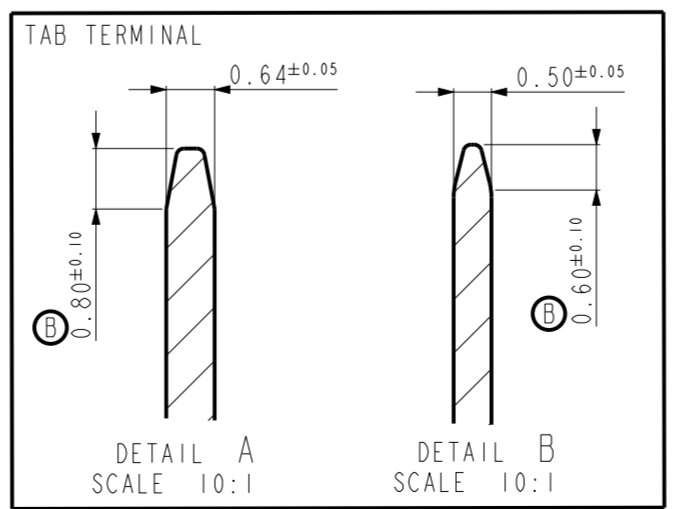
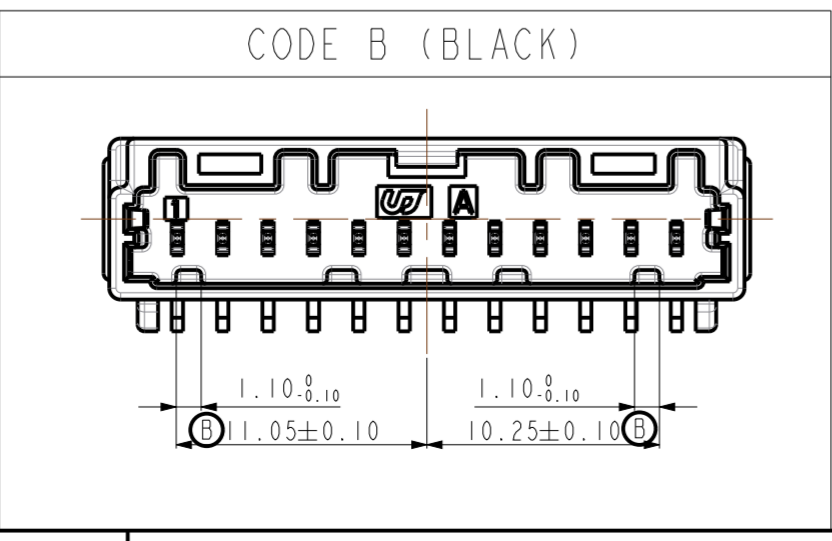
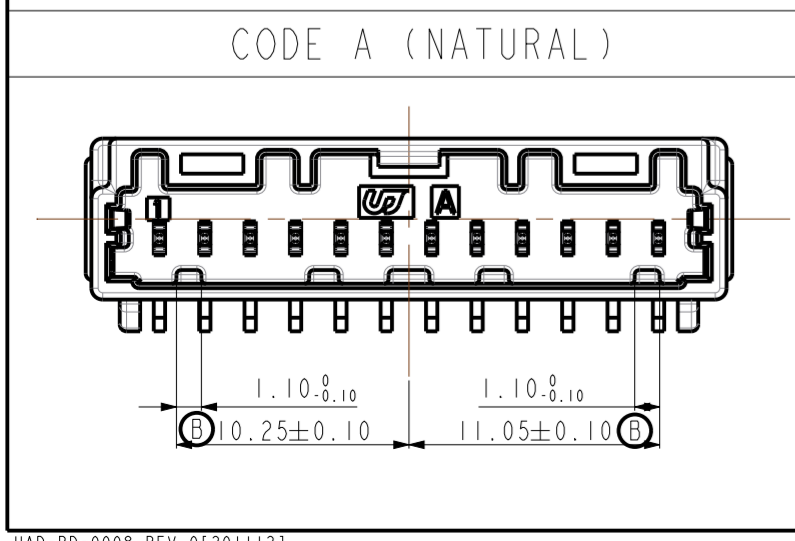
1. TOLERANCE : ±0.05



SECTION A-A



- NOTE.
- GENERAL TOLERANCE : REFER TO DIN16742 T65 SPECIFICATION
 - BURR 0.3 MAX.
 - NO CRACK
 - ALL LETTERS SHALL BE CLEAR AND LEGIBLE
 - MEASURING THE DIMENSIONS OF TAB TML AND SOLDER PEG.
 - FINISH TAB TML AND SOLDER PEG
TIN PLATING 2.0~4.0um MATTE
OVER NICKEL PLATING 0.8~2.0um MATTE
 - PACKING : EMBOSS TAPE
 - FLAMMABILITY : UL94 - HB
- ⓁⓂ VACUM GRIP AREA FREE OF BURR AND FECTOR PINS. MAXØ4.0mm



TOLERANCES UNLESS OTHERWISE SPECIFIED	UNIT MM
0	THIRD ANGLE PROJECTION
0.0	
0.00	
0.000	
0.0000	
ANGLES	
PRODUCT SPEC	APPLICATION SPEC
-	-

NO	DESCRIPTION	MATERIAL	FINISH/COLOR	Q'TY
⑤	020_D_COVER_HSG_BK	LCP (E471i)	BLACK	1
④	020 SMT SOLDER PEG-LEFT (VTC)	BRASS	POST-TIN	1
③	020 SMT SOLDER PEG-RIGHT (VTC)	BRASS	POST-TIN	1
②	020 SMT TAB TML (VTC)	BRASS	POST-TIN	12
①	020_D_SMT_12M_V_HSG_BK	PA9T GF30	BLACK	1
①	020_D_SMT_12M_V_HSG_NR	PA9T GF30	NATURAL	1

DRWN	DR KOO	(주)우주 일렉트로닉스 UJU Electronics co.,Ltd.	NAME			
CHKD	KH PARK		020_D_SMT_12M_V_ASSY_G			
APVD	CY CHOI		CUSTOMER	DRAWING NO		
MATERIAL	SEE TABLE	DRAWING	KH1810093			
FINISH/COLOR	SEE TABLE	LOC	RESTRICTED TO	SIZE	SCALE	
WEIGHT	-	-	-	A2	4:1	
					SHEET	
					1 OF 1	
					REV	
					C	