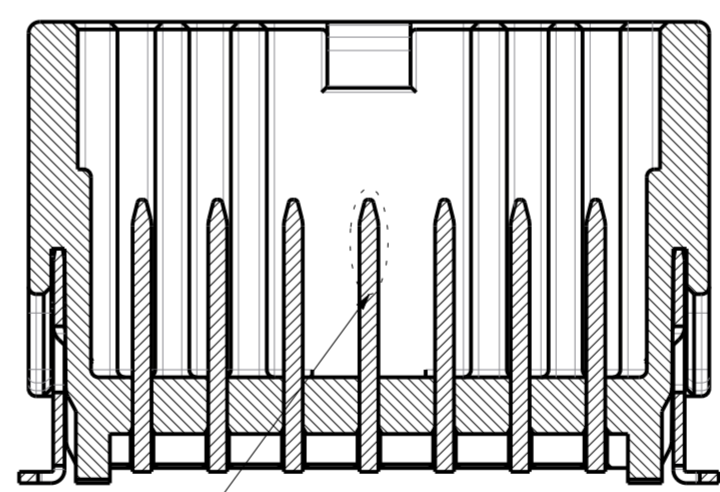
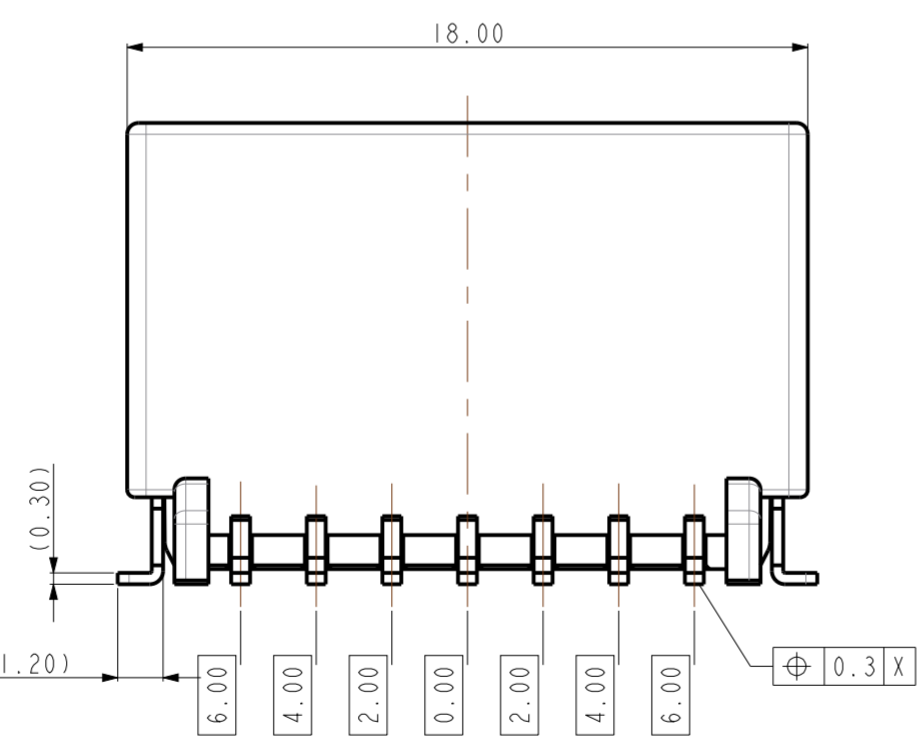
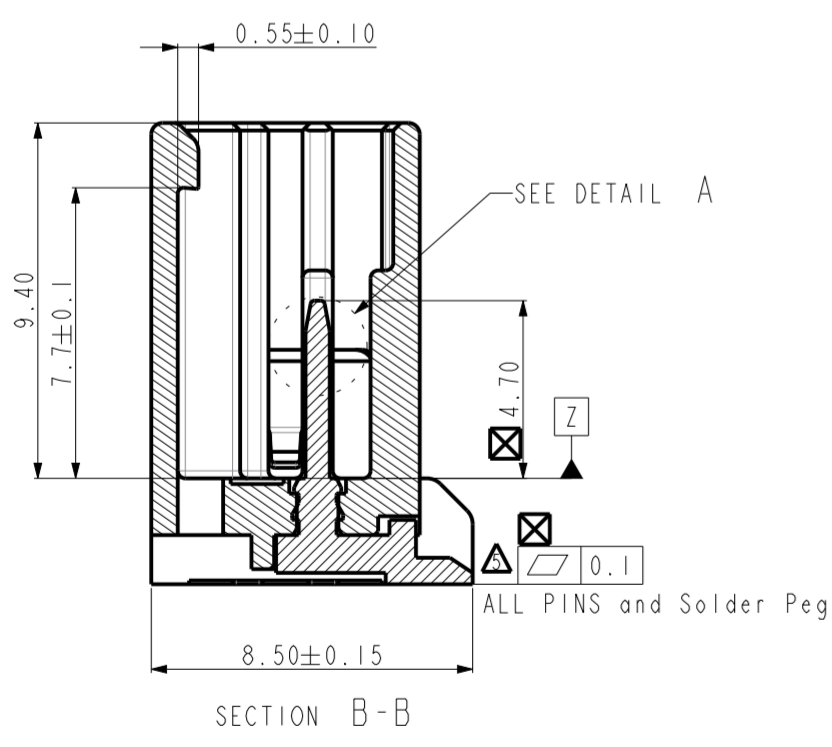
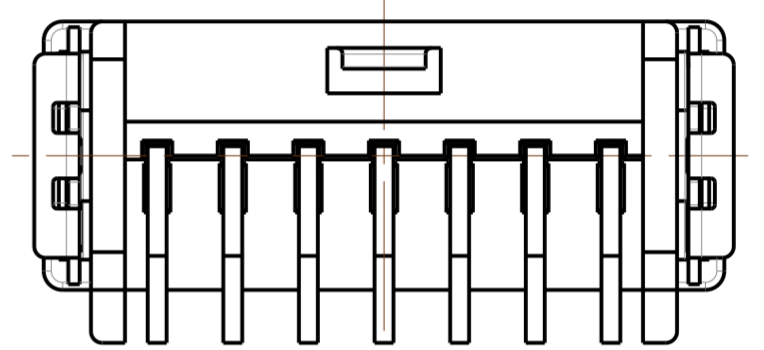
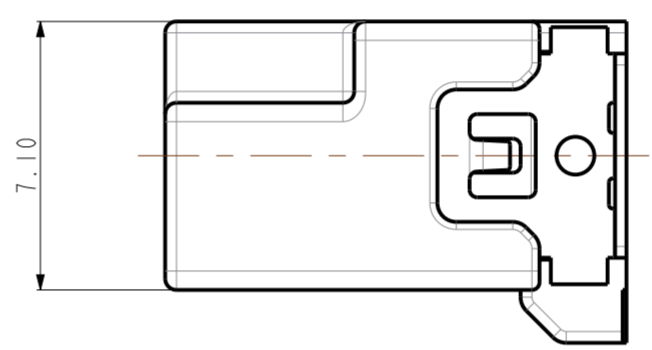
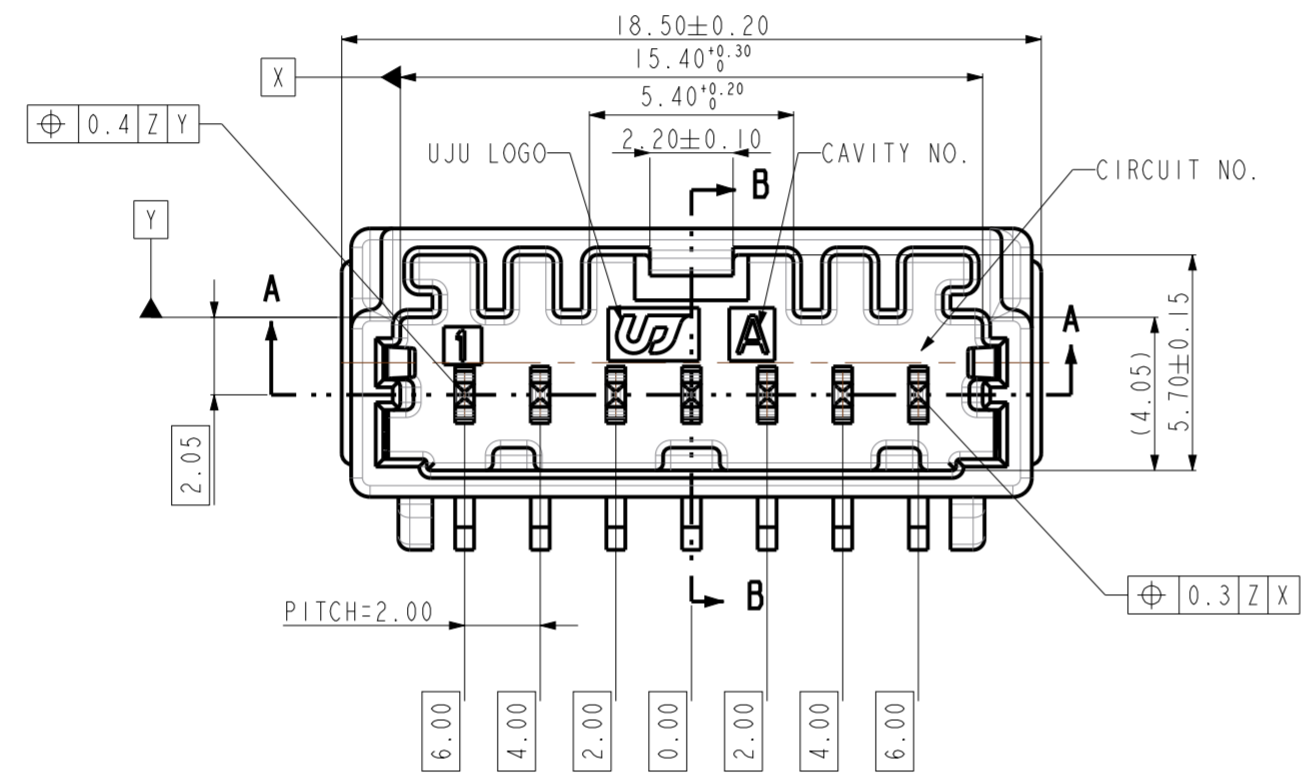
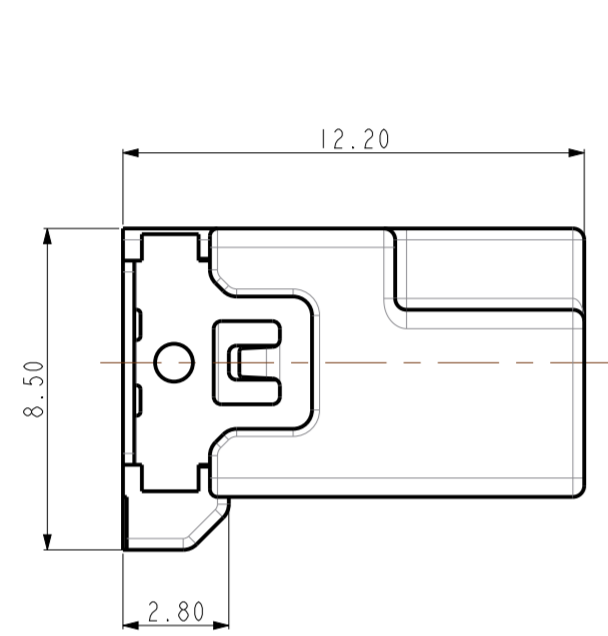
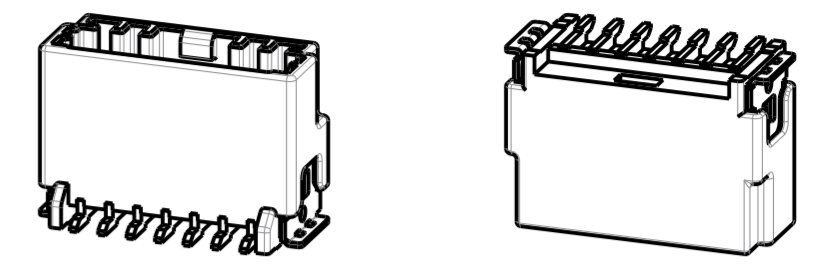
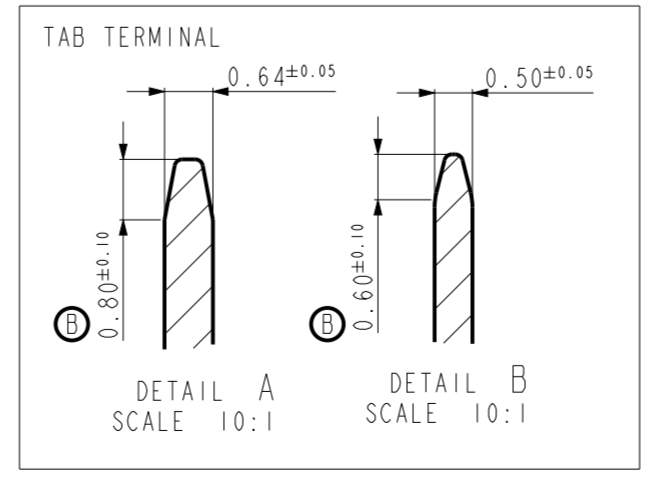
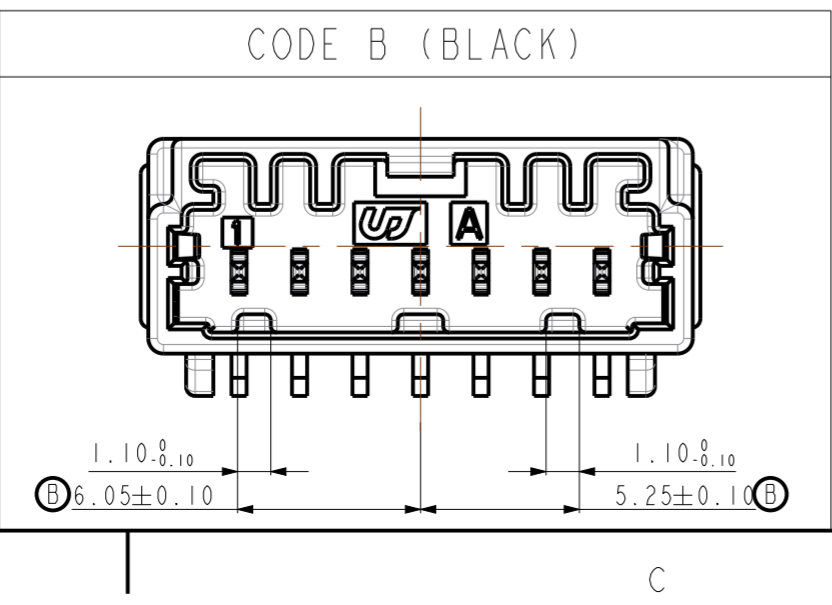
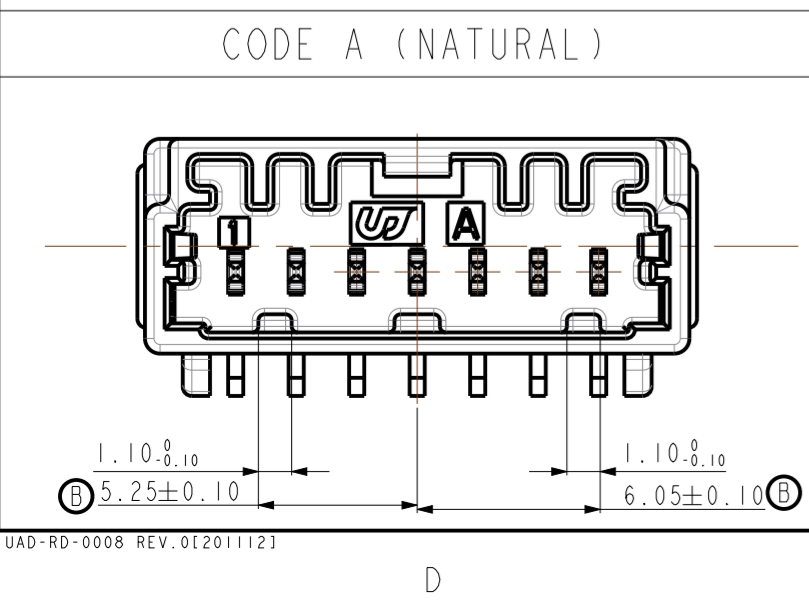


REV	REVISION RECORD	DATE	DRWN	CHKD	APVD
A	RELEASED	21. JUN '19	DR	KH	CY
B	REVISED (RD-2020-029)	09. MAR '20	DR	KH	CY
C	REVISED (RD-2020-140)	23. OCT '20	DR	KH	CY



- NOTE.
- GENERAL TOLERANCE : REFER TO DINI6742 T65 SPECIFICATION
  - BURR 0.3 MAX.
  - NO CRACK
  - ALL LETTERS SHALL BE CLEAR AND LEGIBLE
  - MEASURING THE DIMENSIONS OF TAB TML AND SOLDER PEG.
  - FINISH TAB TML AND SOLDER PEG  
TIN PLATING 2.0-4.0um MATTE  
OVER NICKEL PLATING 0.8-2.0um MATTE
  - PACKING : EMBOSS TAPE
  - FLAMMABILITY : UL94 - HB
  - VACUM GRIP AREA FREE OF BURR AND FECTOR PINS. MAX∅4.0mm



NO	DESCRIPTION	MATERIAL	FINISH/COLOR	Q'TY
⑤	020_D_COVER_HSG	LCP (E471i)	BLACK	1
④	020_SMT_SOLDER_PEG-LEFT (H2T)	BRASS	POST-TIN	1
③	020_SMT_SOLDER_PEG-RIGHT (H2T)	BRASS	POST-TIN	1
②	020_SMT_TAB_TML (H2T)	BRASS	POST-TIN	7
①	020_D_SMT_7M_V_HSG_BK	PA9T GF30	BLACK	1
①	020_D_SMT_7M_V_HSG_NR	PA9T GF30	NATURAL	1

DRWN	DR KOO	<p>(주)우주 일렉트로닉스 UJU Electronics co.,Ltd.</p>	NAME			
CHKD	KH PARK		020_D_SMT_7M_V_ASSY_G			
APVD	CY CHOI		CUSTOMER	DRAWING	DRAWING NO.	REV
MATERIAL	SEE TABLE			KH1810089		
FINISH/COLOR	SEE TABLE	LOC	RESTRICTED TO	SIZE	SCALE	
WEIGHT	-	-	-	A2	5:1	
PRODUCT SPEC	-				SHEET	
					1 OF 1	
					REV	
					C	

CODE	ASSY PART NO.	REV.
⑤	020_D_SMT_7M_V_ASSY_BK	C
④	020_D_SMT_7M_V_ASSY_NR	C