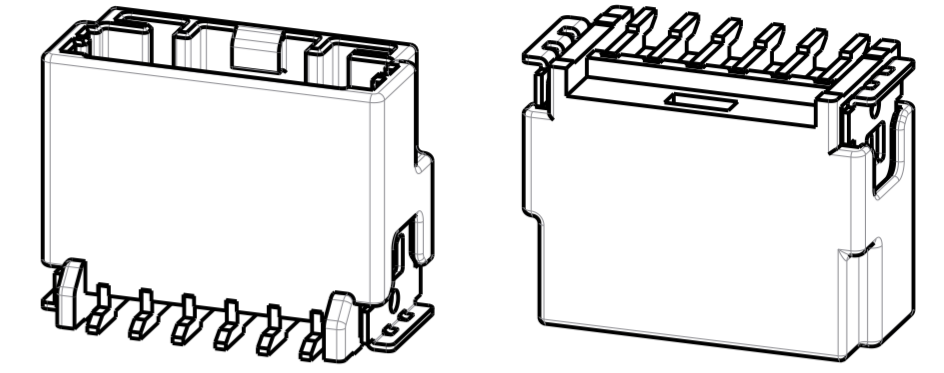
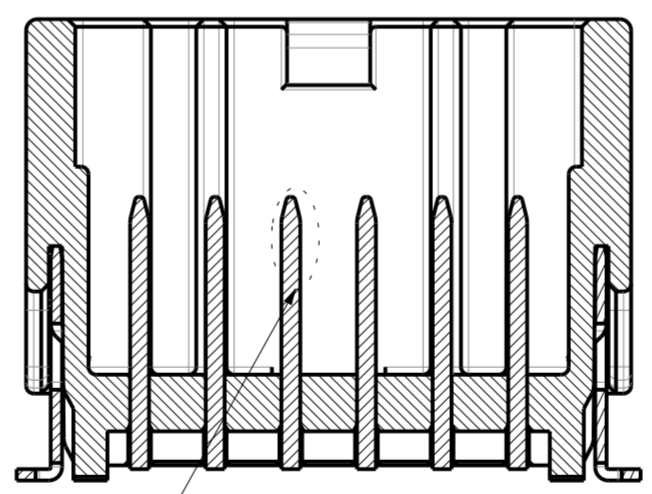
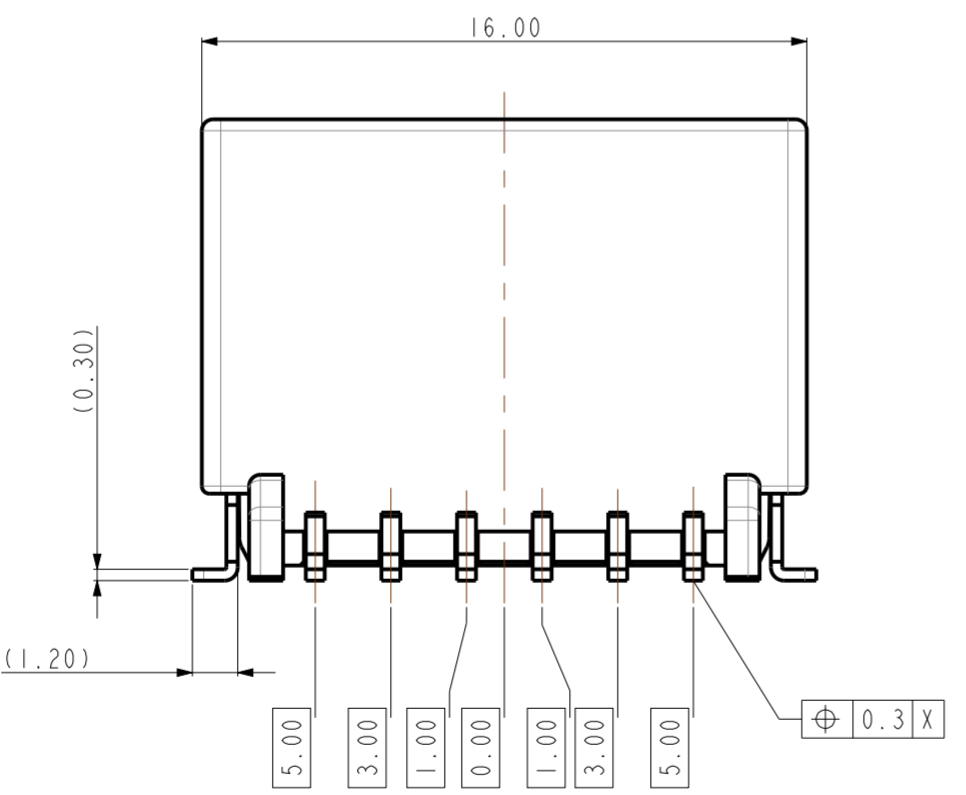
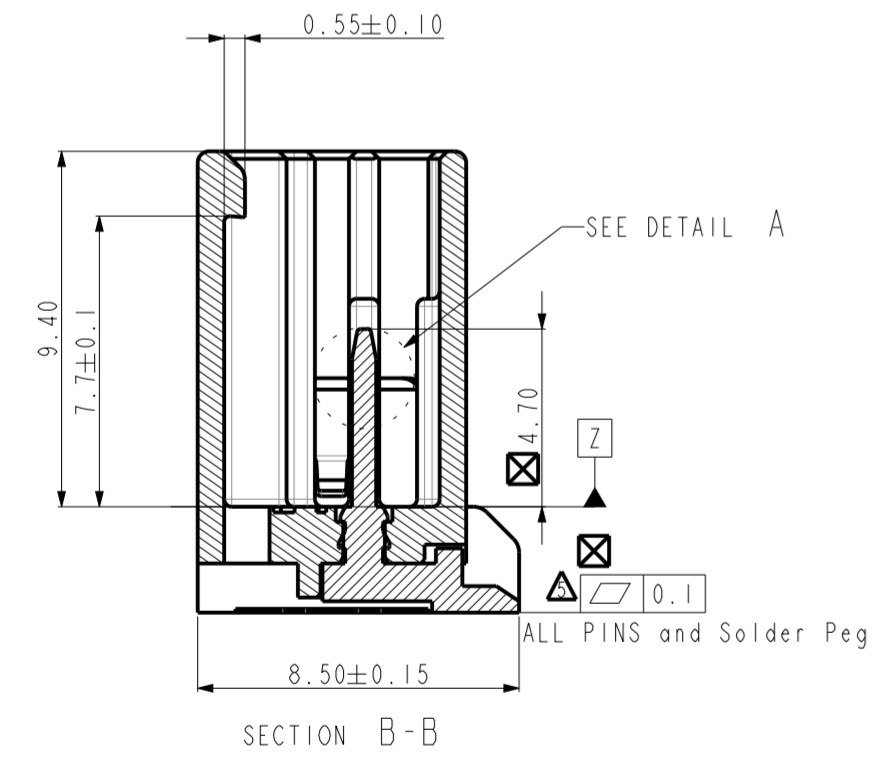
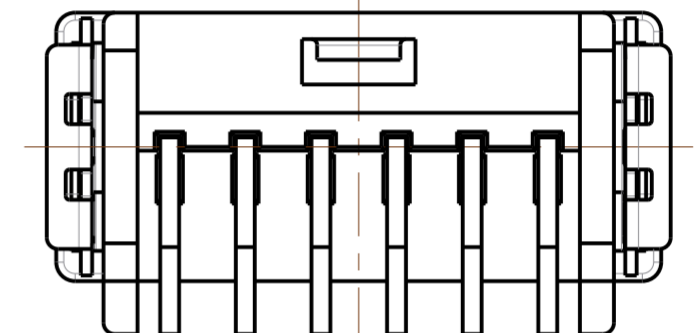
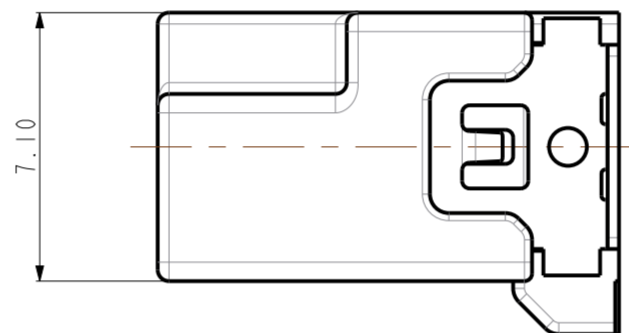
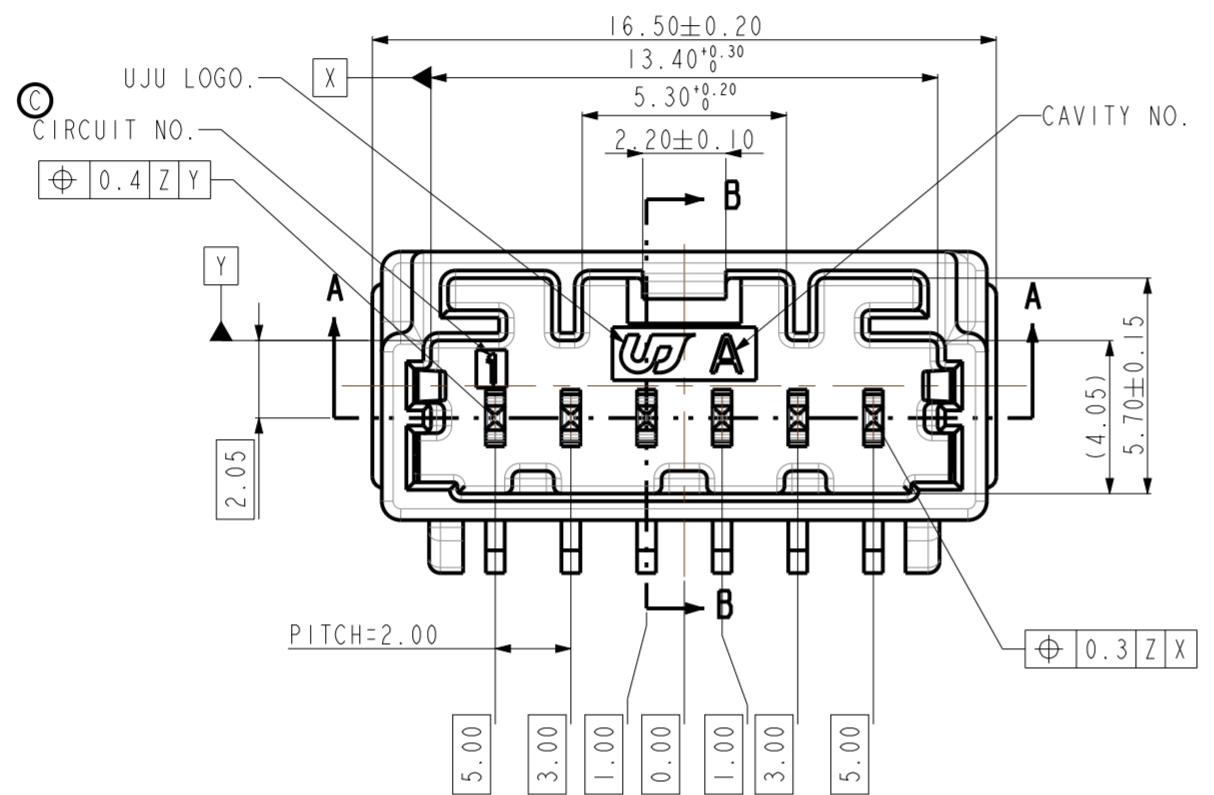
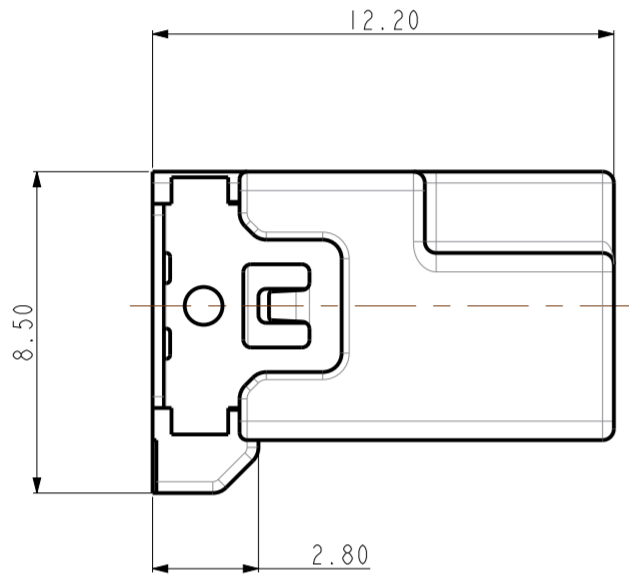


REV	REVISION RECORD	DATE	DRWN	CHKD	APVD
A	RELEASED	21.JUN.19	DR	KH	CY
B	REVISED (RD-2020-029)	09.MAR'20	DR	KH	CY
C	REVISED (RD-2020-140)	23.OCT'20	DR	KH	CY



ISO VIEW



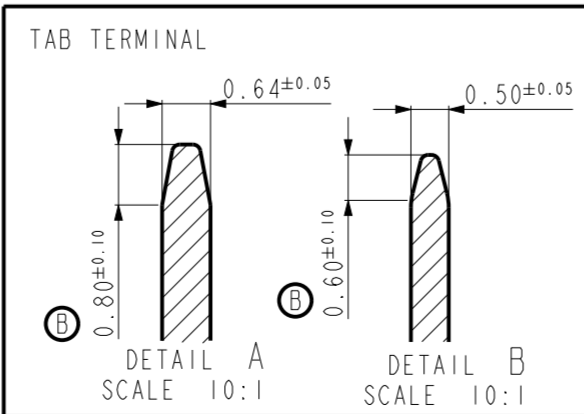
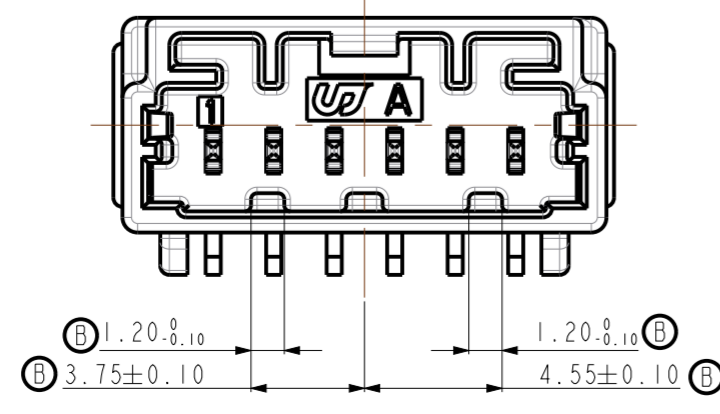
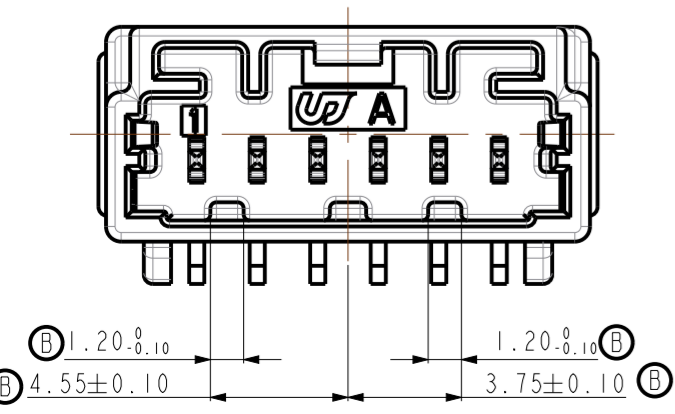
SEE DETAIL B SECTION A-A

- NOTE.
- GENERAL TOLERANCE : REFER TO DINI6742 TG5 SPECIFICATION
 - BURR 0.3 MAX.
 - NO CRACK
 - ALL LETTERS SHALL BE CLEAR AND LEGIBLE
 - MEASURING THE DIMENSIONS OF TAB TML AND SOLDER PEG.
 - FINISH TAB TML AND SOLDER PEG
TIN PLATING 2.0~4.0um MATTE
OVER NICKEL PLATING 0.8~2.0um MATTE
 - PACKING : EMBOSS TAPE
 - FLAMMABILITY : UL94 - HB
 - VACUM GRIP AREA FREE OF BURR AND FECTOR PINS. MAXØ4.0mm

NO	DESCRIPTION	MATERIAL	FINISH/COLOR	Q'TY
⑤	020_D_COVER_HSG_BK	LCP (E471i)	BLACK	1
④	020 SMT SOLDER PEG-LEFT (VTC)	BRASS	POST-TIN	1
③	020 SMT SOLDER PEG-RIGHT (VTC)	BRASS	POST-TIN	1
②	020 SMT TAB TML (VTC)	BRASS	POST-TIN	6
①	020_D_SMT_6M_V_HSG_BK	PA9T GF30	BLACK	1
①	020_D_SMT_6M_V_HSG_NR	PA9T GF30	NATURAL	1

CODE A (NATURAL)

CODE B (BLACK)



TOLERANCES UNLESS OTHERWISE SPECIFIED	UNIT MM
0	THIRD ANGLE PROJECTION
0.00	SEE TABLE
0.05	SEE TABLE
0.10	SEE TABLE
0.20	SEE TABLE
0.50	SEE TABLE
1.00	SEE TABLE
ANGLES	SEE TABLE
PRODUCT SPEC	APPLICATION SPEC
-	-

DRWN	DR KOO	(주)우주 일렉트로닉스 UJU Electronics co.,Ltd.	NAME			
CHKD	KH PARK		020_D_SMT_6M_V_ASSY_G			
APVD	CY CHOI		DRAWING NO. KH1810087			
MATERIAL	SEE TABLE	CUSTOMER	DRAWING			
FINISH/COLOR	SEE TABLE	LOC	RESTRICTED TO	SIZE	SCALE	
WEIGHT	-	-	-	A2	5:1	
					SHEET	
					1 OF 1	
					REV	
					C	