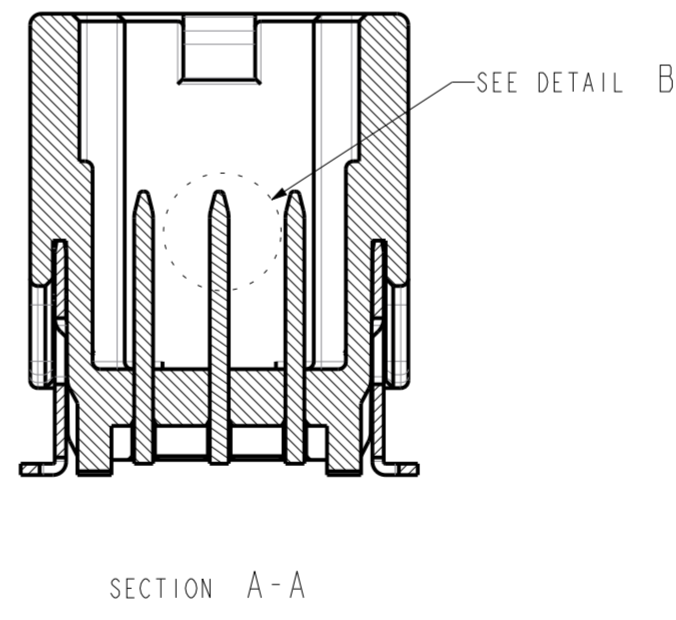
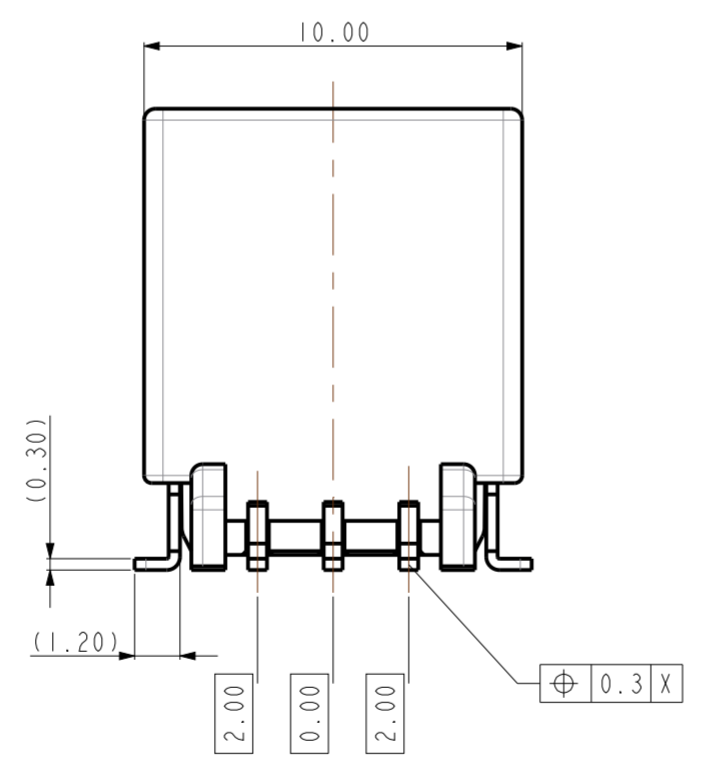
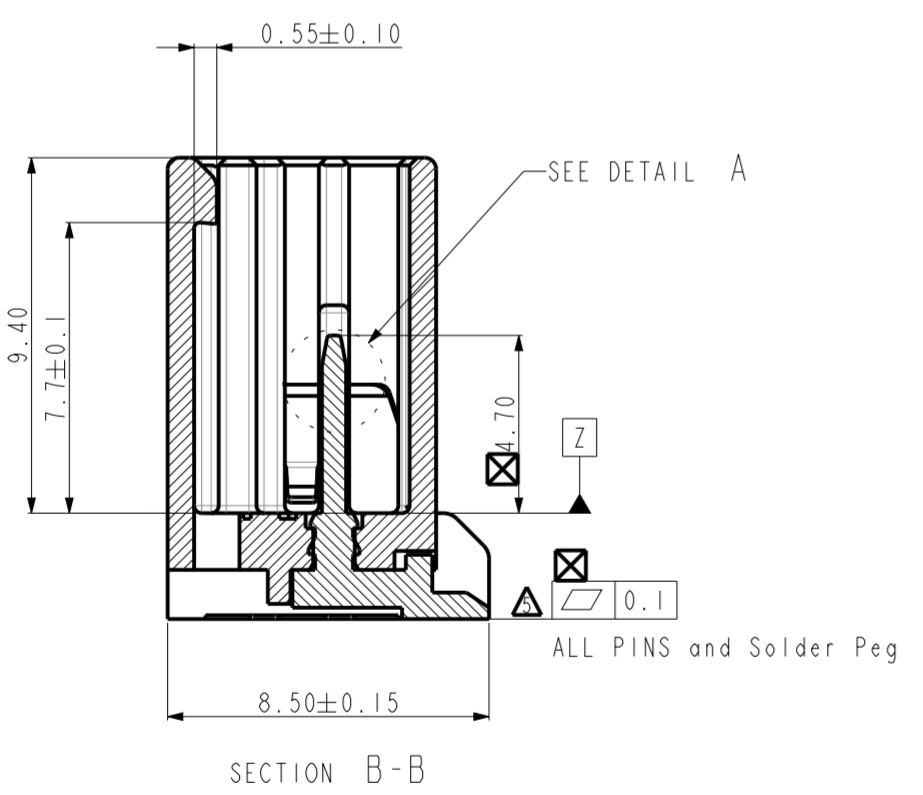
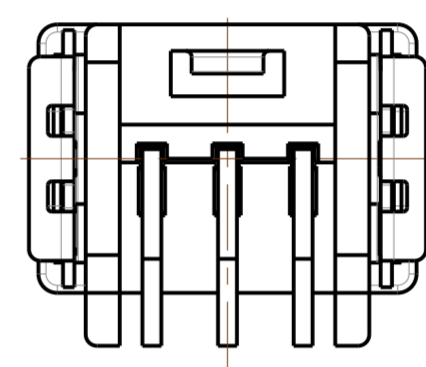
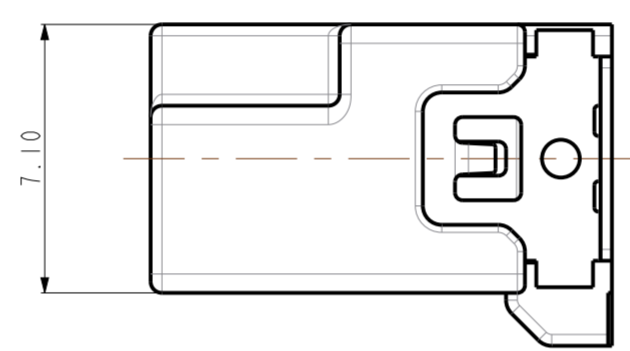
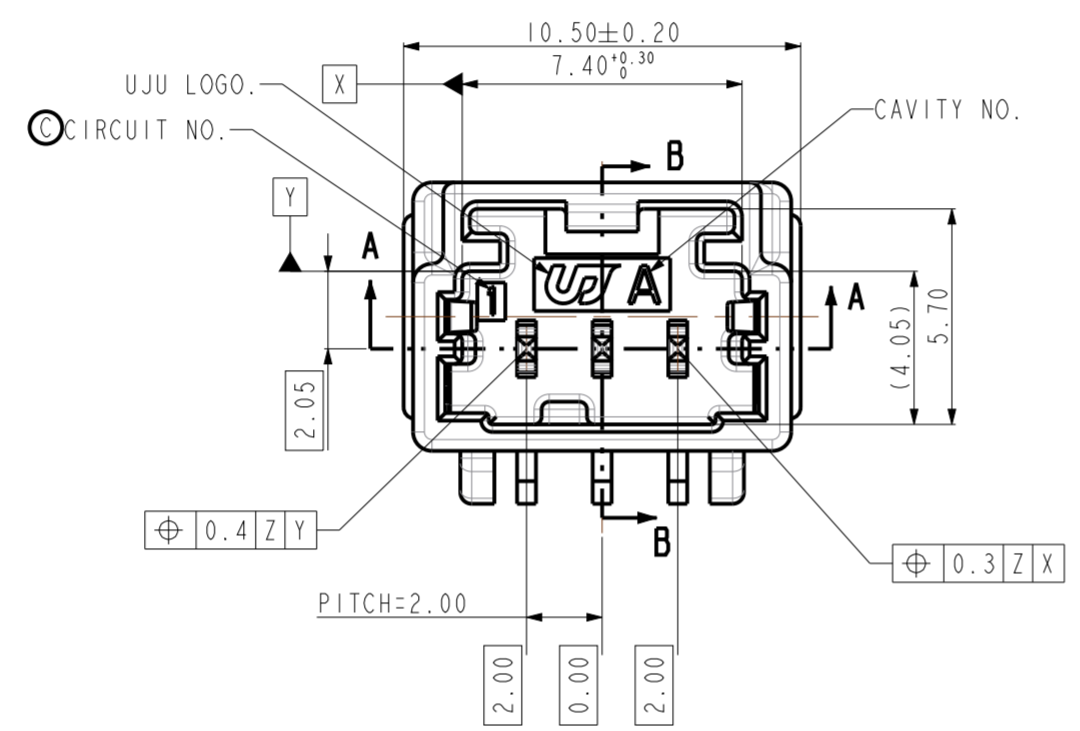
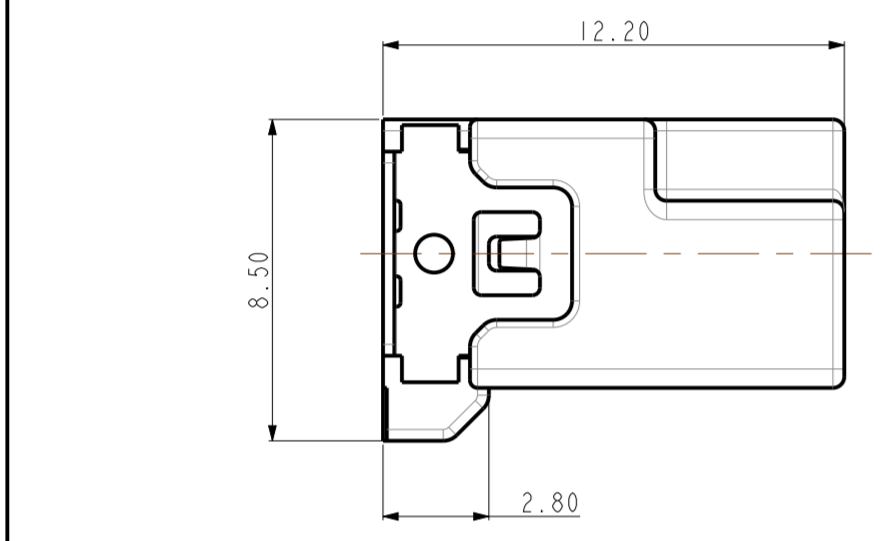
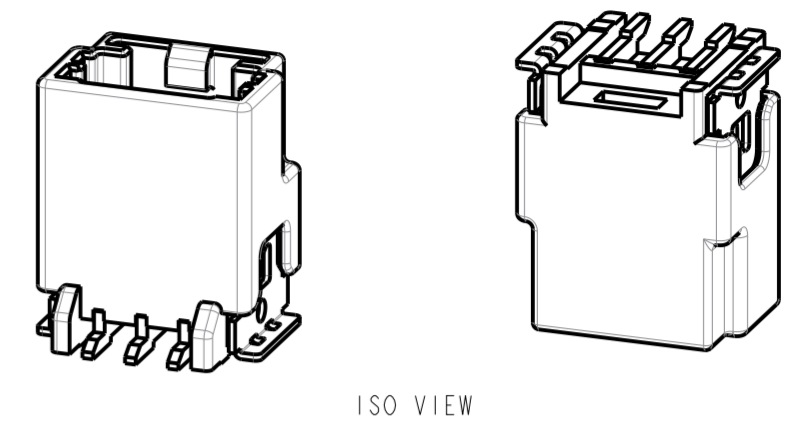
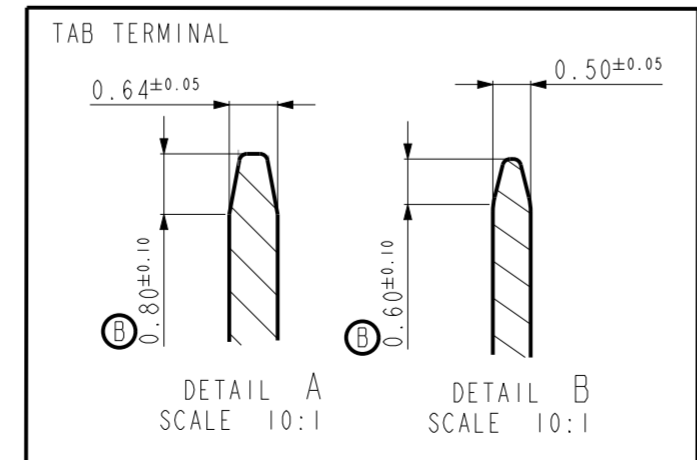
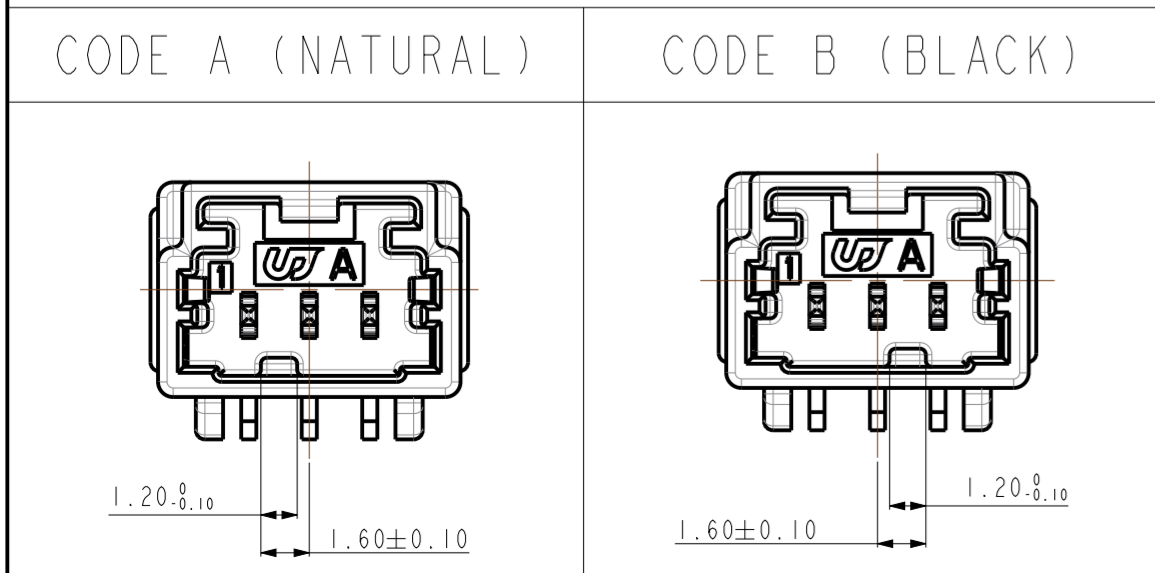


REV	REVISION RECORD	DATE	DRWN	CHKD	APVD
A	RELEASED	21. JUN. 19	DR	KH	CY
B	REVISED (RD-2020-029)	09. MAR '20	DR	KH	CY
C	REVISED (RD-2020-140)	23. OCT '20	DR	KH	CY



- NOTE.
- GENERAL TOLERANCE : REFER TO DIN16742 TG5 SPECIFICATION
 - BURR 0.3 MAX.
 - NO CRACK
 - ALL LETTERS SHALL BE CLEAR AND LEGIBLE
 - MEASURING THE DIMENSIONS OF TAB TML AND SOLDER PEG.
 - FINISH TAB TML AND SOLDER PEG
TIN PLATING : 2.0~4.0um MATTE OVER NICKEL PLATING
0.8~2.0um MATTE
 - PACKING : EMBOSS TAPE
 - FLAMMABILITY : UL94 - HB
 - VACUM GRIP AREA FREE OF BURR AND FACTOR PINS. MAX Ø4.0mm



NO	DESCRIPTION	MATERIAL	FINISH/COLOR	Q'TY
⑤	020_D_COVER_HSG_BK	LCP (E471i)	BLACK	1
④	020 SMT SOLDER PEG-L (VTC)	BRASS	POST-TIN	1
③	020 SMT SOLDER PEG-R (VTC)	BRASS	POST-TIN	1
②	020 SMT TAB TML (VTC)	BRASS	POST-TIN	3
①	020_D_SMT_3M_V_HSG_BK	PA9T GF30	BLACK	1
①	020_D_SMT_3M_V_HSG_NR	PA9T GF30	NATURAL	1
NO	DESCRIPTION	MATERIAL	FINISH/COLOR	Q'TY

TOLERANCES UNLESS OTHERWISE SPECIFIED	UNIT MM
0	THIRD ANGLE PROJECTION
0.0	SEE TABLE
0.00	SEE TABLE
0.000	SEE TABLE
0.0000	SEE TABLE
ANGLES	
PRODUCT SPEC	APPLICATION SPEC
-	-

DRWN	DR KOO	(주)우주 일렉트로닉스 UJU Electronics co.,Ltd.
CHKD	KH PARK	
APVD	CY CHOI	
MATERIAL	SEE TABLE	NAME
FINISH/COLOR	SEE TABLE	020_D_SMT_3M_V_ASSY_G
WEIGHT	-	CUSTOMER
LOC	-	DRAWING NO
RESTRICTED TO	-	KH1810081
SIZE	A2	SCALE
SCALE	5:1	SHEET
SHEET	1 OF 1	REV
REV	C	