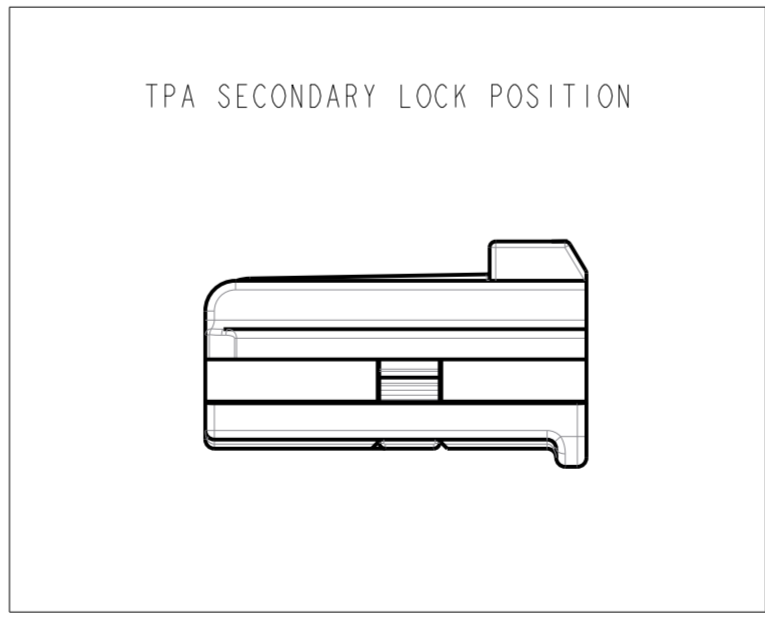
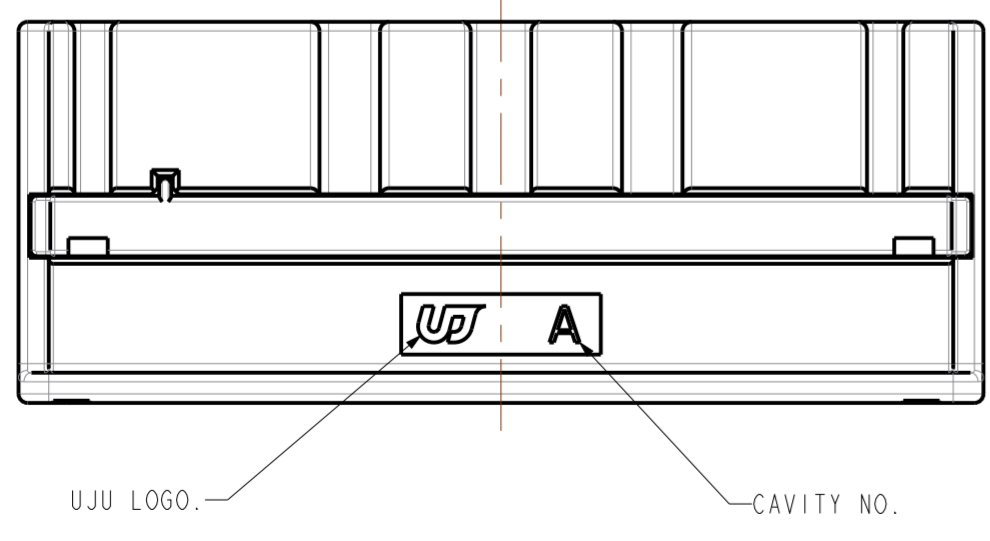
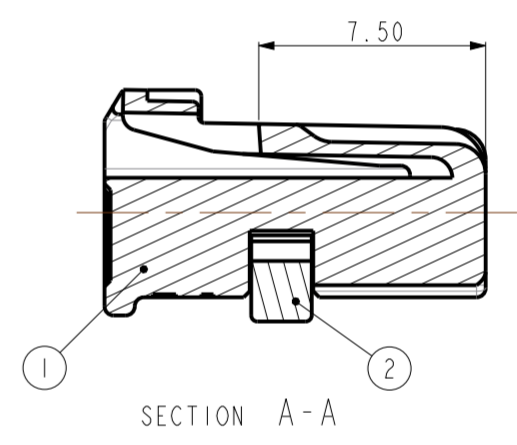
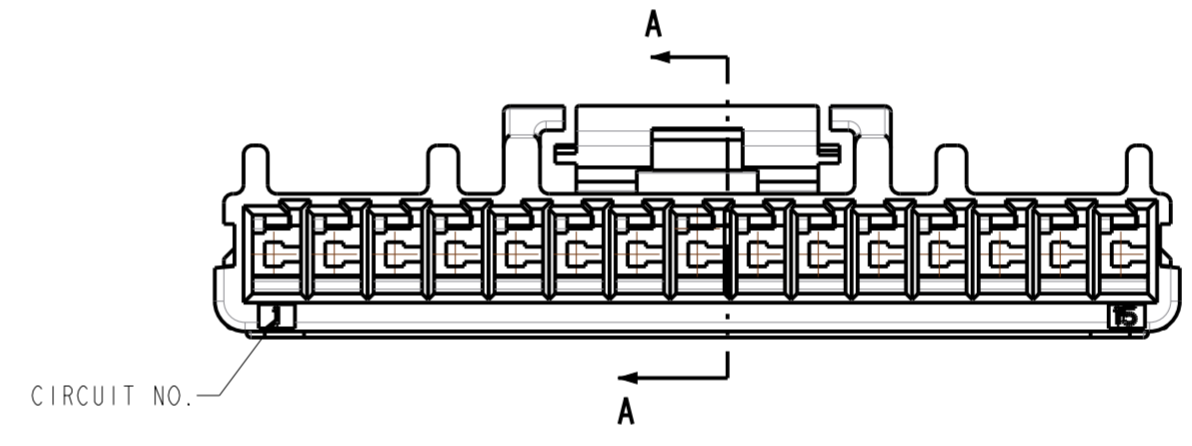
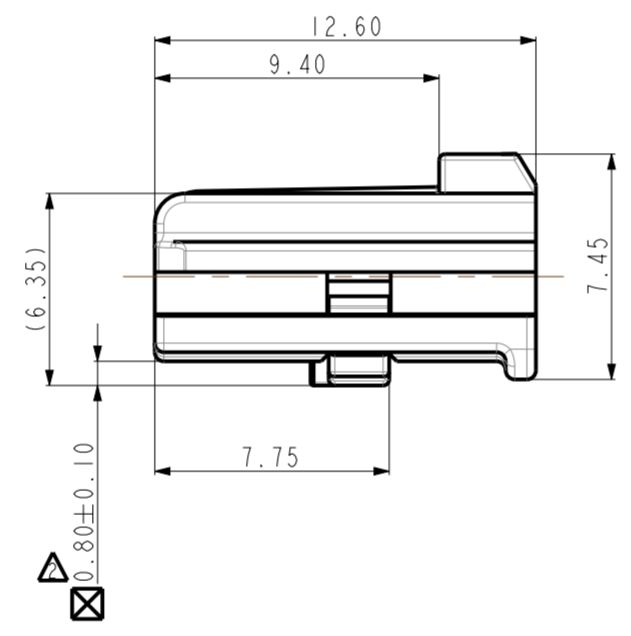
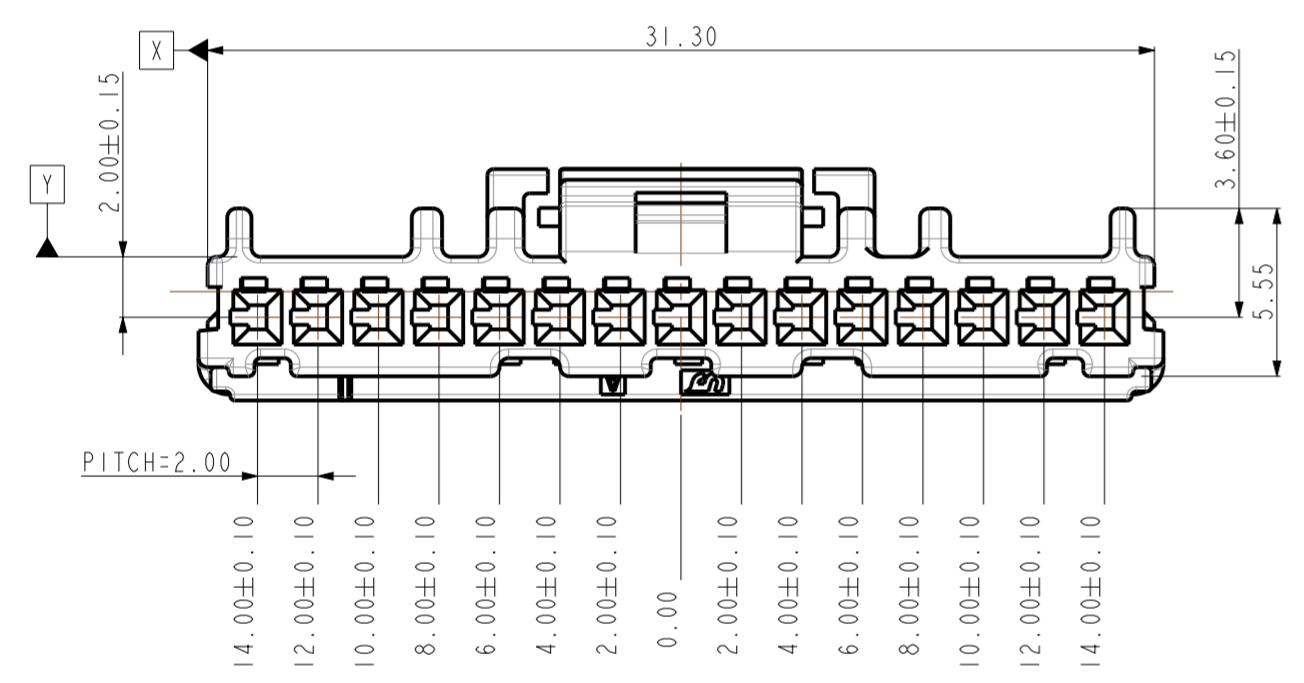
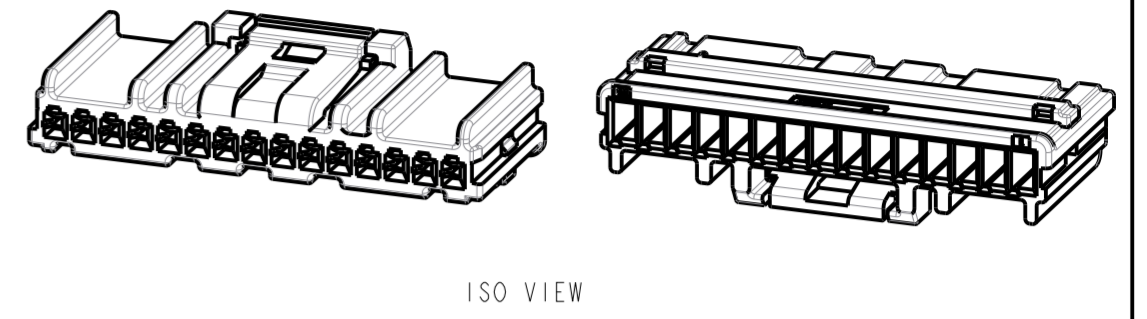
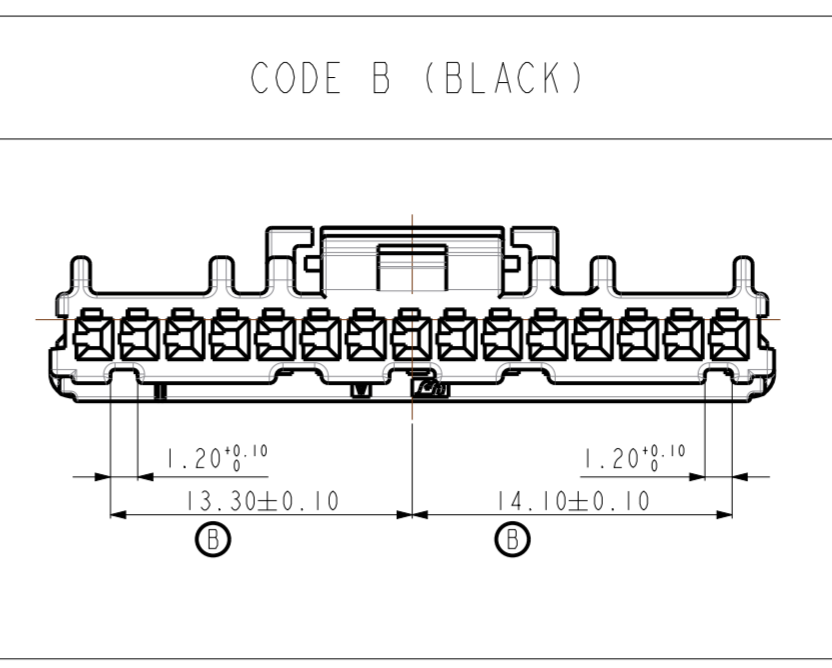
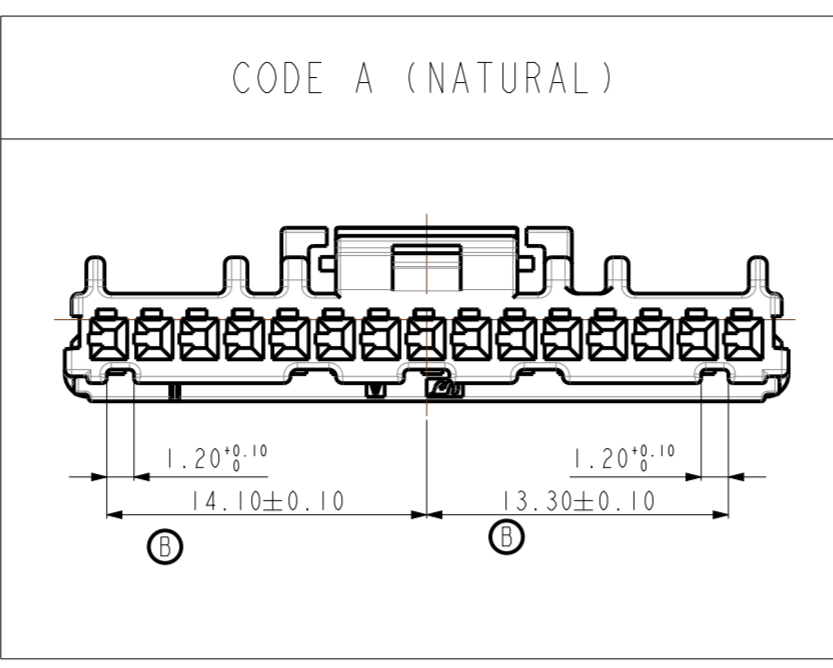
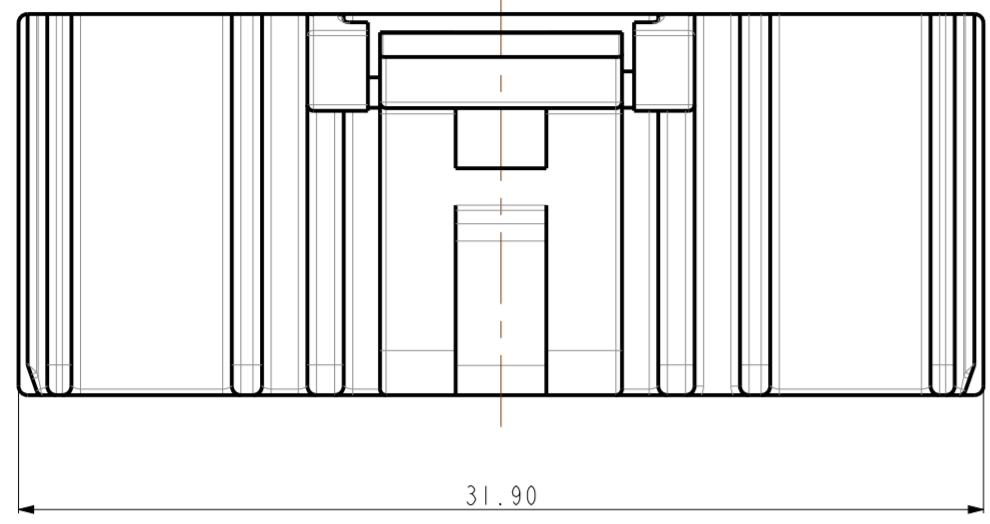


REV	REVISION RECORD	DATE	DRWN	CHKD	APVD
A	RELEASED	21.JUN'19	DR	KH	CY
B	REVISED (RD-2020-029)	09.MAR'20	DR	KH	CY



- NOTE.
- GENERAL TOLERANCE : REFER TO DINI6742 TG6 SPECIFICATION
 - DELIVERY CONDITION : TPA FIRST LOCK POSITION
 - BURR 0.3 MAX.
 - NO CRACK.
 - ALL LETTERS SHALL BE CLEAR AND LEGIBLE
 - PACKING : TRAY
 - APPLICABLE RECEPTACLE TERMINAL :
 - FEMALE CONTACT : 020_D_F_TML_G
 - PART NO. : KH1710007-22
 - WIRE SIZE RANGE : 0.3 ~ 0.5mm²
 - MATERIAL : C64750-H(CuNiSi-H)
 - FINISH : 0.8um Min. TIN PLATED (REFLOW)
OVER 0.5um Min COPPER (MATTE)
 - FLAMMABILITY : UL94 - HB

NO	DESCRIPTION	MATERIAL	FINISH/COLOR	Q'TY
②	020_D_15P_TPA_HSG_GN	PBT GF10	GREEN	1
①	020_D_15F_HSG_BK	PBT GF10	BLACK	1
	020_D_15F_HSG_NR	PBT GF10	NATURAL	1

DRWN	DR KOO	(주)우주 일렉트로닉스 UJU Electronics co.,Ltd.	NAME	
CHKD	KH PARK		020_D_15F_ASSY_G	
APVD	CY CHOI		CUSTOMER DRAWING	DRAWING NO
MATERIAL		SEE TABLE	KH1810078	
FINISH/COLOR		SEE TABLE	LOC	SHEET
WEIGHT		-	RESTRICTED TO	1 OF 1
PRODUCT SPEC		-	SIZE	REV
APPLICATION SPEC		-	A2	B
			SCALE	
			5:1	

REV.	ASS'Y P/N	DESCRIPTION
B	KH1810078-21	020_D_15F_ASSY_BK_G
B	KH1810078-10	020_D_15F_ASSY_NR_G