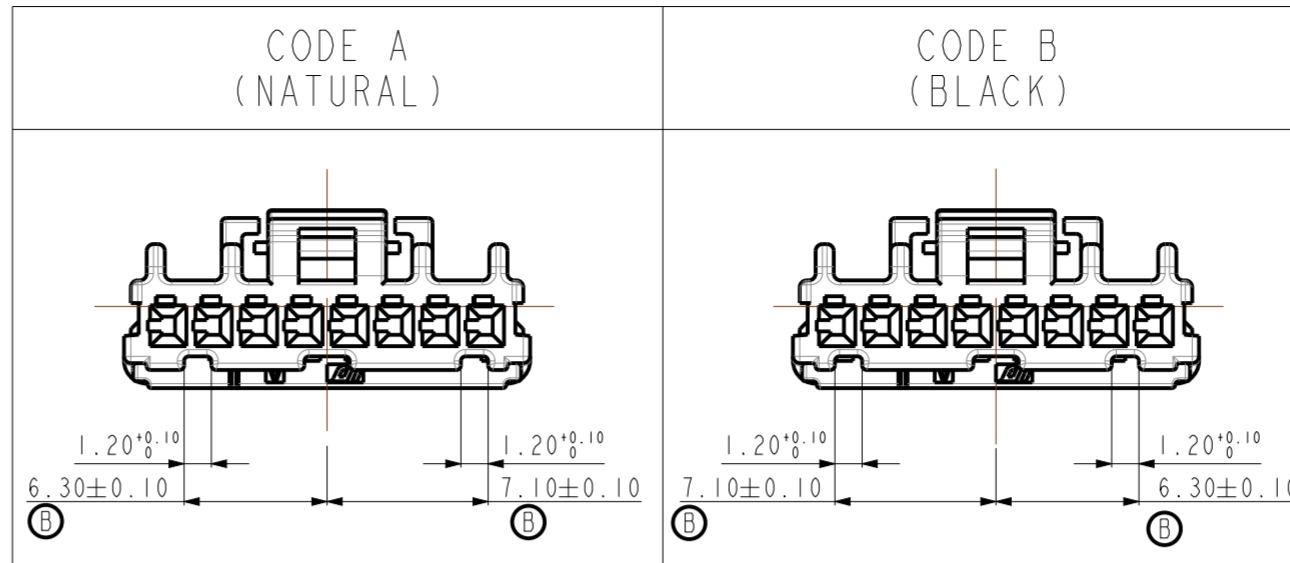
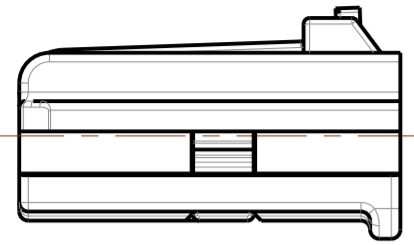
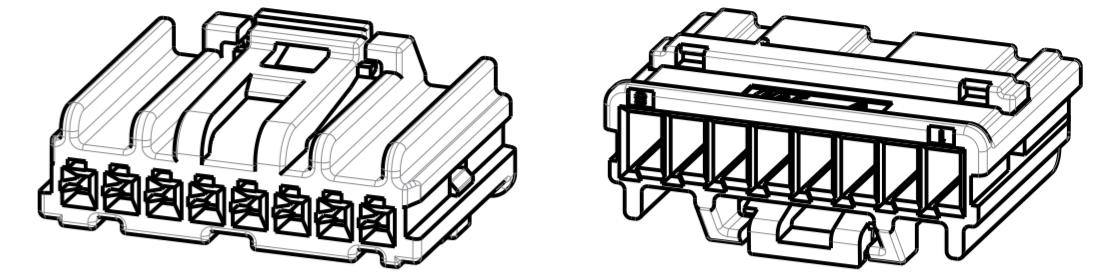


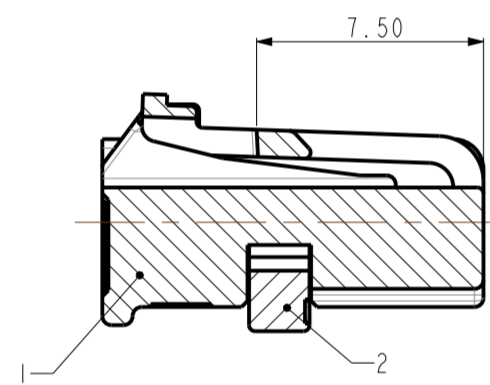
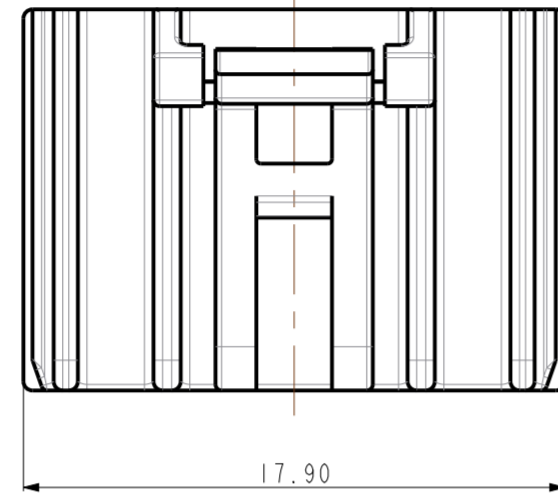
TPA SECONDARY LOCK POSITION



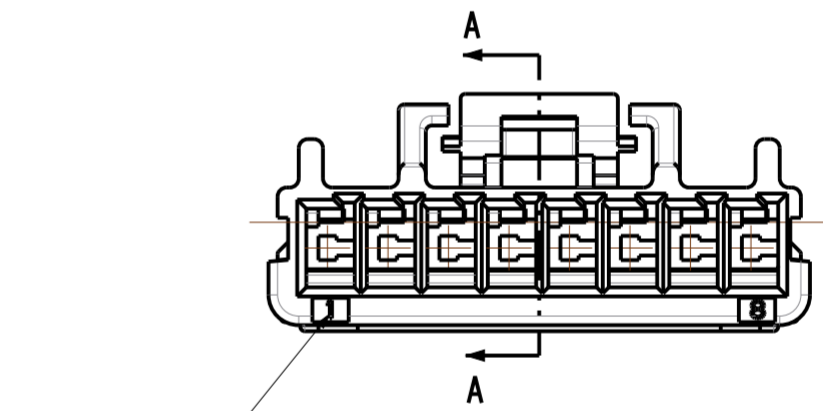
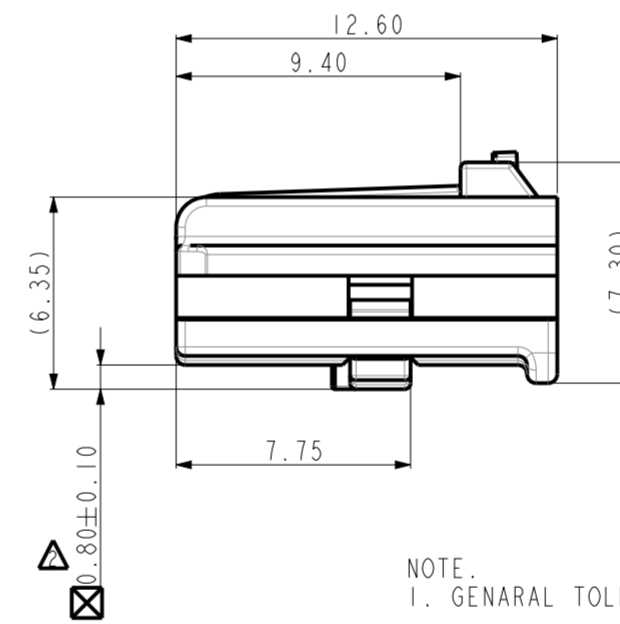
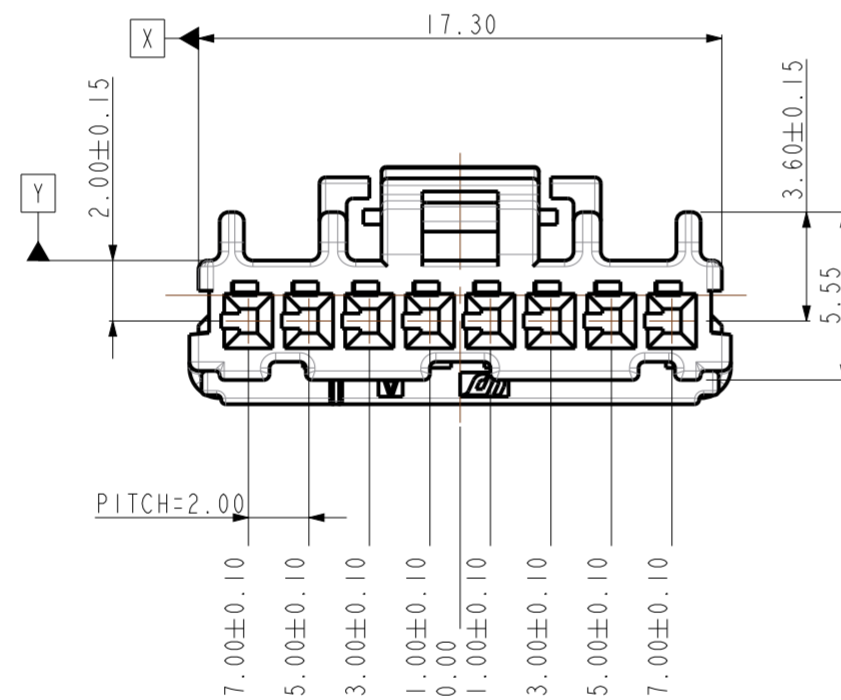
REV	REVISION RECORD	DATE	DRWN	CHKD	APVD
A	RELEASED	21.JUN'19	DR	KH	CY
B	REVISED (RD-2020-029)	09.MAR'20	DR	KH	CY



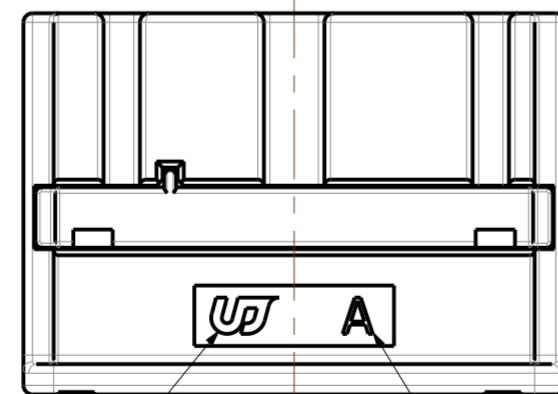
ISO VIEW



SECTION A-A



CIRCUIT NO.



UJU LOGO

CAVITY NO.

- NOTE.
- GENERAL TOLERANCE : REFER TO DINI6742 TG6 SEPCIFICATION.
 - DELIVERY CONDITION : TPA FIRST LOCK POSITION
 - BURR 0.3 MAX.
 - NO CRACK.
 - ALL LETTERS SHALL BE CLEAR AND LEGIBLE
 - PACKING : TRAY
 - APPLICABLE RECEPTACLE TERMINAL :
 - FEMALE CONTACT : 020_D_F_TML_G
 - PART NO. : KH1710007-22
 - WIRE SIZE RANGE : 0.3 ~0.5mm²
 - MATERIAL : C64750-H(CuNiSi-H)
 - FINISH : 0.8um Min. TIN PLATED (REFLOW) OVER 0.5um Min COPPER (MATTE)
 - FLAMMABILITY : UL94 - HB

NO	DESCRIPTION	CODE	ASSY P/N	REV.
B	KH1810072-21	B		
B	KH1810072-10	B		
A		A		

NO	DESCRIPTION	MATERIAL	FINISH/COLOR	Q'TY
2	020_D_8P_TPA_HSG_GN	PBT GF10	GREEN	1
1	020_D_8F_HSG_BK	PBT GF10	BLACK	1
1	020_D_8F_HSG_NR	PBT GF10	NATURAL	1

DRWN	DR KOO	(주)우주 일렉트로닉스 UJU Electronics co.,Ltd.	NAME	
CHKD	KH PARK		020_D_8F_ASSY_G	
APVD	CY CHOI		DRAWING NO	
MATERIAL	SEE TABLE	CUSTOMER	KH1810072	
FINISH/COLOR	SEE TABLE	DRAWING	A2	
WEIGHT	-	LOC	RESTRICTED TO	SCALE
PRODUCT SPEC	-	SIZE	SCALE	SHEET
		REV		

TOLERANCES UNLESS OTHERWISE SPECIFIED	UNIT MM
0 ±	THIRD ANGLE PROJECTION
0.0 ±	
0.00 ±	
0.000 ±	
0.0000 ±	
ANGLES ±	
APPLICATION SPEC	