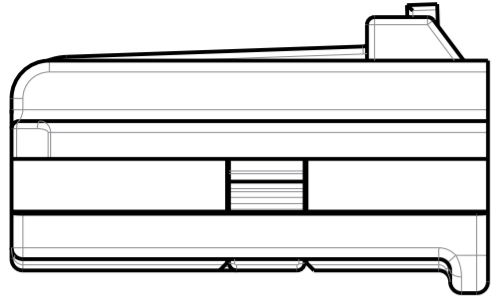
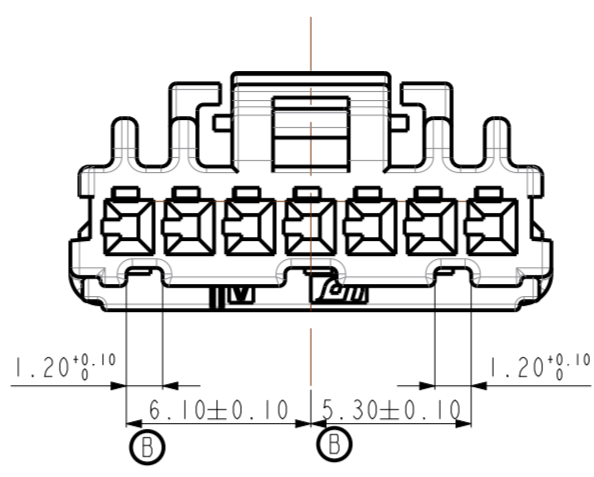


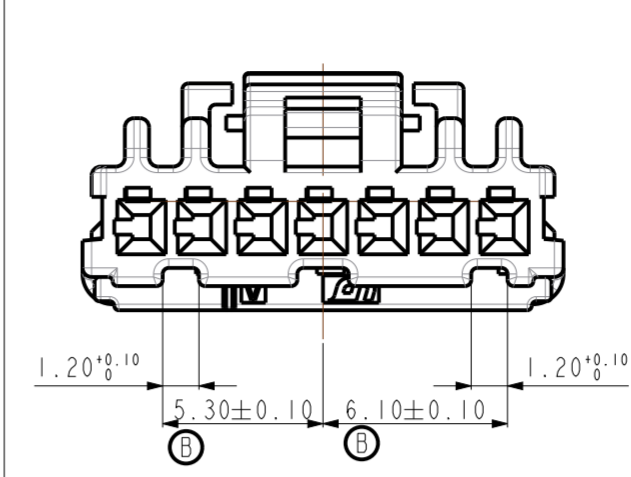
TPA SECONDARY LOCK POSITION



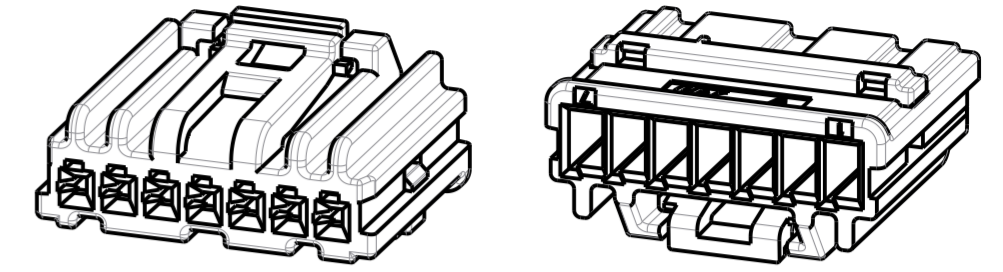
CODE A
(NATURAL)



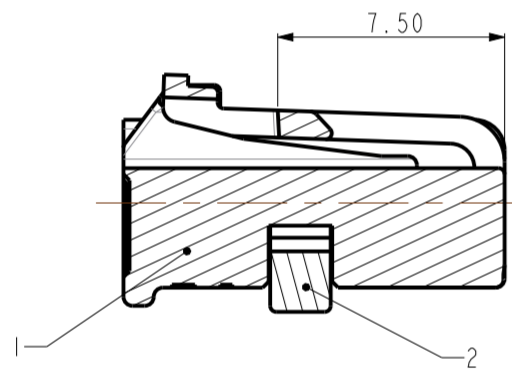
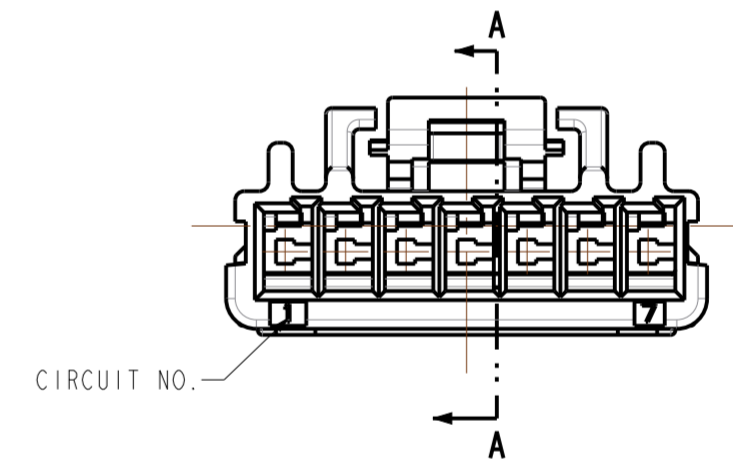
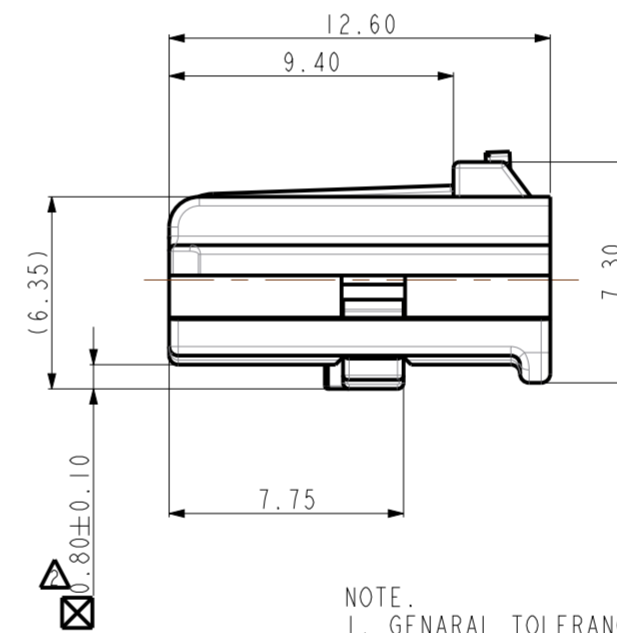
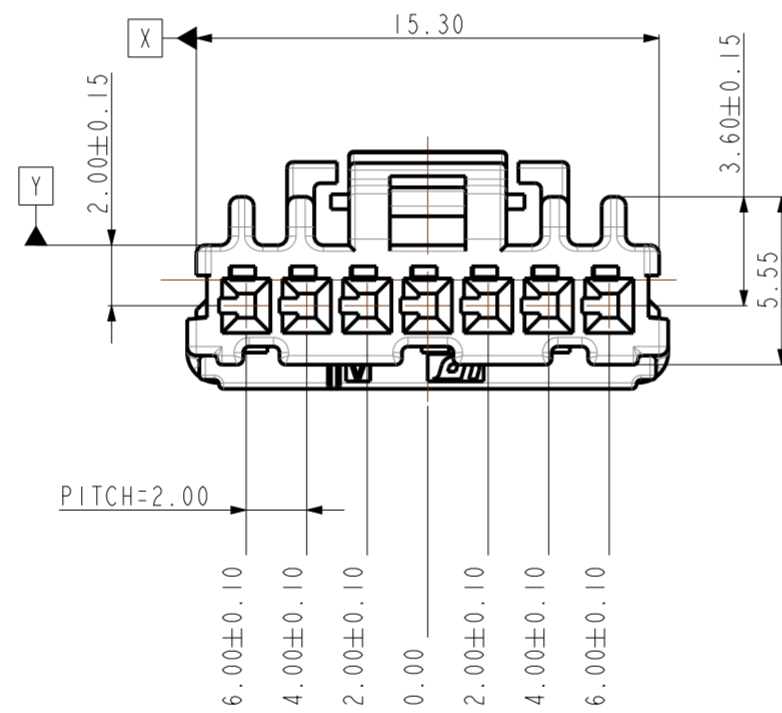
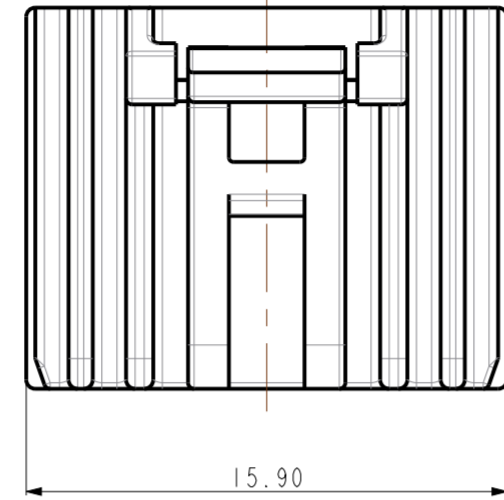
CODE B
(BLACK)



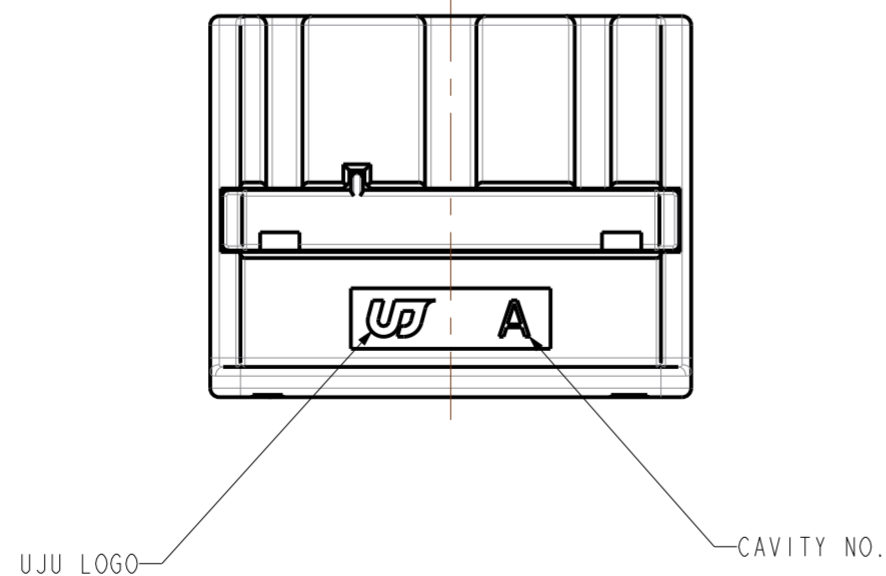
REV	REVISION RECORD	DATE	DRWN	CHKD	APVD
A	RELEASED	21.JUN'19	DR	KH	CY
B	REVISED (RD-2020-029)	09.MAR'20	DR	KH	CY



ISO VIEW



SECTION A-A



UJU LOGO

CAVITY NO.

- NOTE:
- GENERAL TOLERANCE : REFER TO DINI6742 TG6 SEPCIFICATION.
 - DELIVERY CONDITION : TPA FIRST LOCK POSITION
 - BURR 0.3 MAX.
 - NO CRACK.
 - ALL LETTERS SHALL BE CLEAR AND LEGIBLE
 - PACKING :TRAY
 - APPLICABLE RECEPTACLE TERMINAL :
 - FEMALE CONTACT : 020_D_F_TML_G
 - PART NO. : KH1710007-22
 - WIRE SIZE RANGE : 0.3 ~0.5mm²
 - MATERIAL : C64750-H(CuNiSi-H)
 - FINISH : 0.8um Min. TIN PLATED (REFLOW)
OVER 0.5um Min COPPER (MATTE)
 - FLAMMABILITY : UL94 - HB

REV.	ASS'Y P/N	DESCRIPTION	CODE
B	KH1810069-21	020_D-7F_ASSY_BK_G	B
B	KH1810069-10	020_D-7F_ASSY_NR_G	A

NO	DESCRIPTION	MATERIAL	FINISH/COLOR	Q'TY
2	020_D-7P_TPA_HSG_GN	PBT GF10	GREEN	1
1	020_D-7F_HSG_BK	PBT GF10	BLACK	1
1	020_D-7F_HSG_NR	PBT GF10	NATURAL	1

DRWN	DR KOO	(주)우주 일렉트로닉스 UJU Electronics co.,Ltd.				
CHKD	KH PARK					
APVD	CY CHOI					
MATERIAL	SEE TABLE	NAME	020_D-7F_ASSY_G			
FINISH/COLOR	SEE TABLE	CUSTOMER	DRAWING NO			
WEIGHT	-	DRAWING	KH1810069			
LOC	-	RESTRICTED TO	SIZE	SCALE	SHEET	REV
-	-	-	A2	4:1	1 OF 1	B

TOLERANCES UNLESS OTHERWISE SPECIFIED	UNIT MM
0 ±	THIRD ANGLE PROJECTION
0.0 ±	
0.00 ±	
0.000 ±	
0.0000 ±	
ANGLES ±	
PRODUCT SPEC	APPLICATION SPEC
-	-