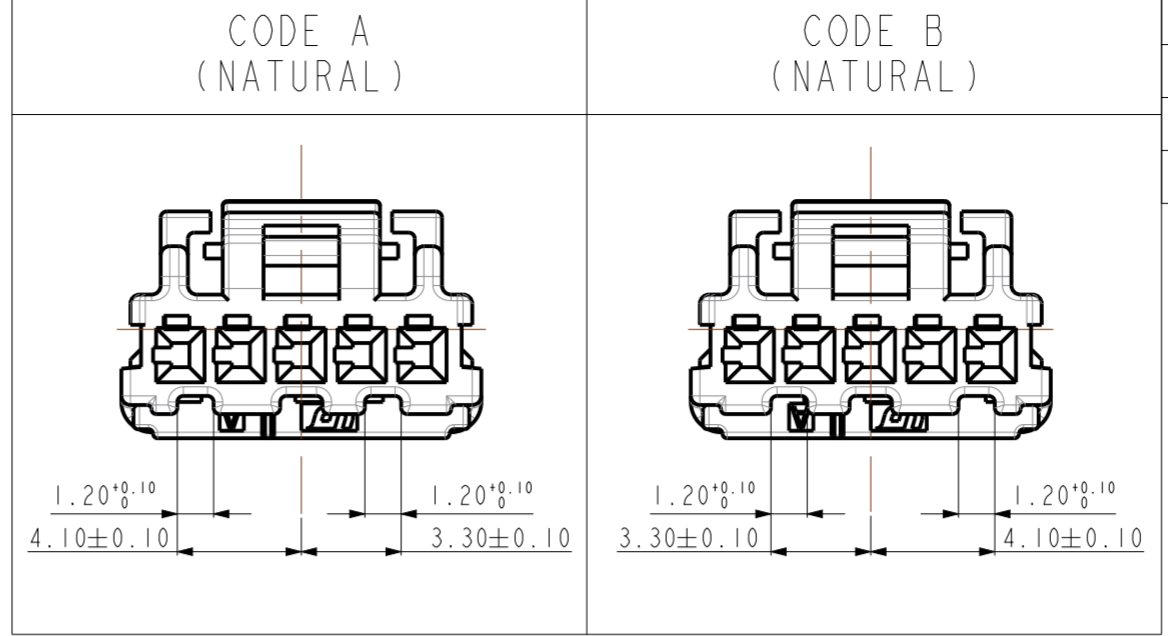
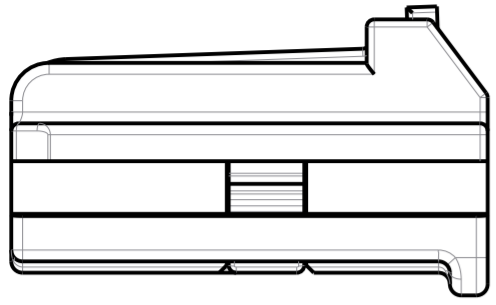
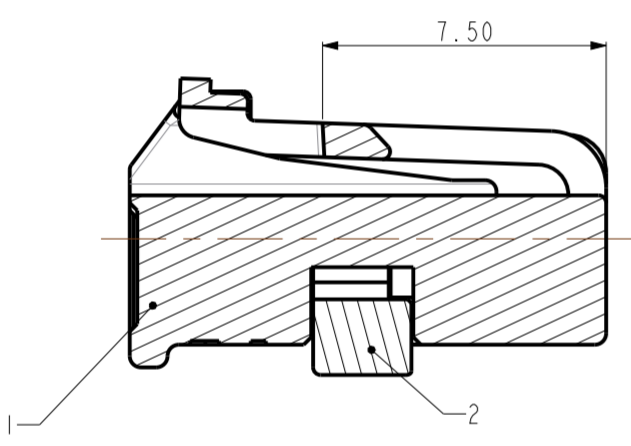
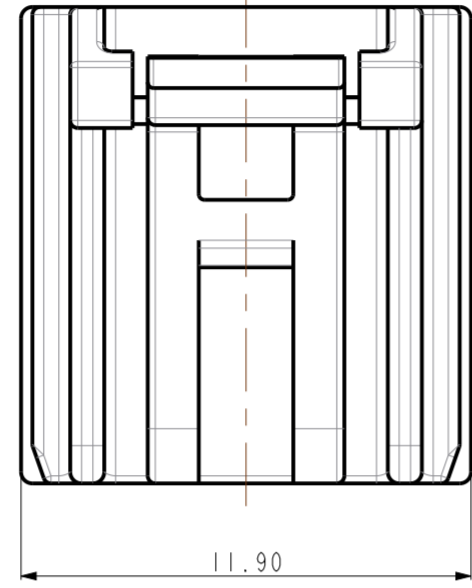
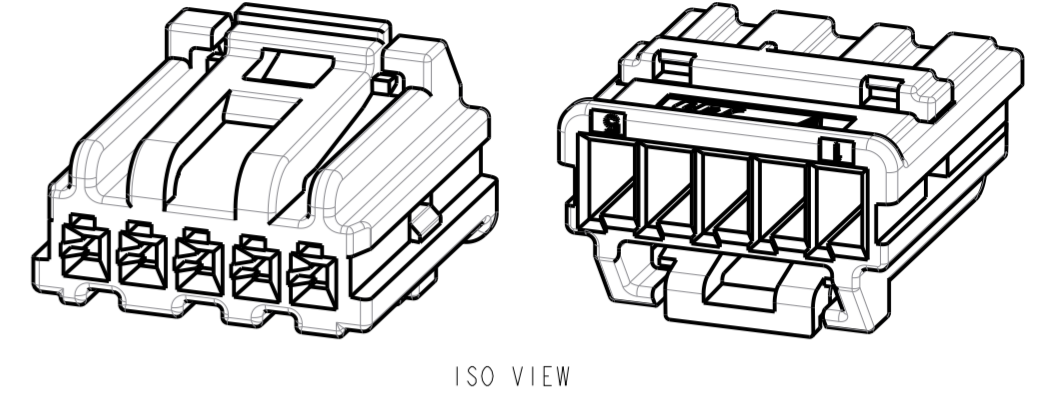


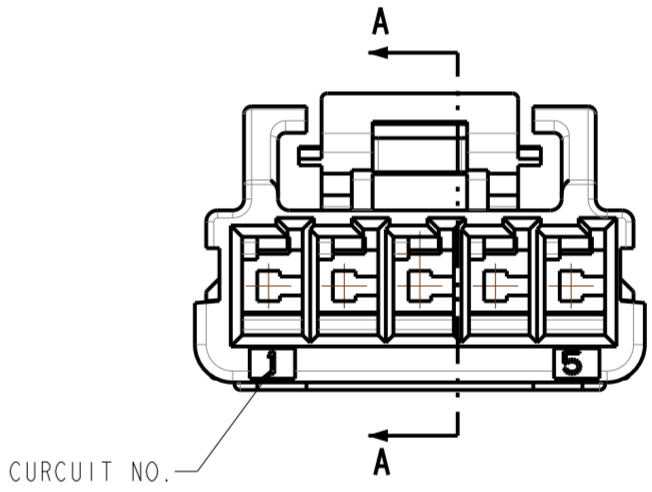
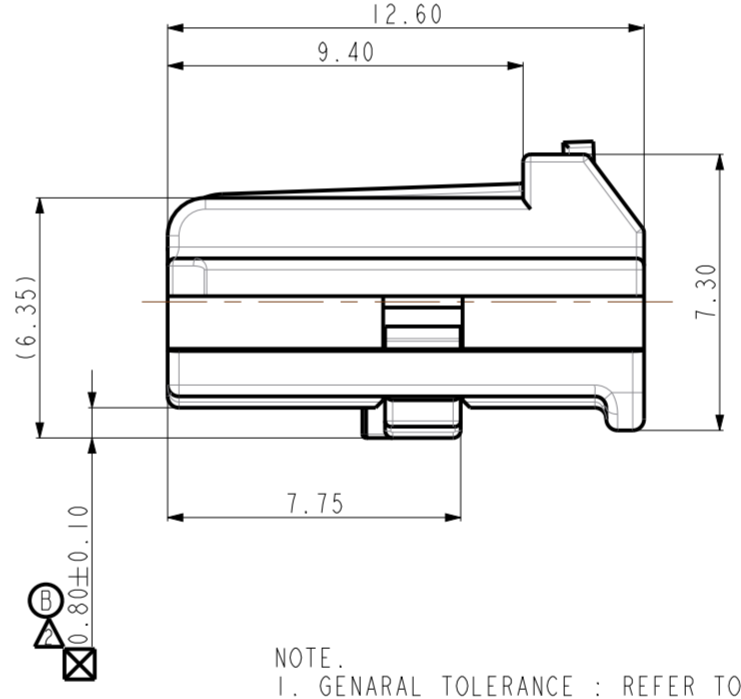
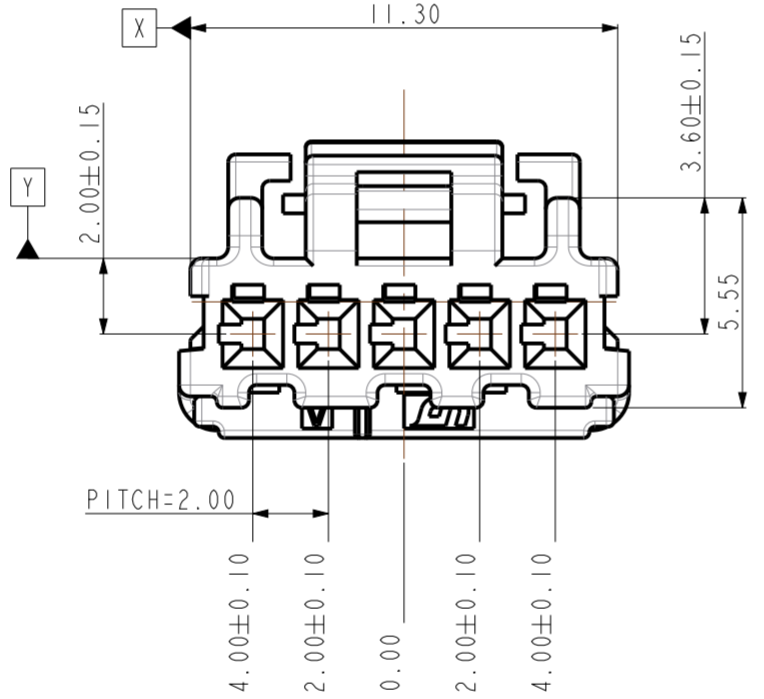
TPA SECONDARY LOCK POSITION



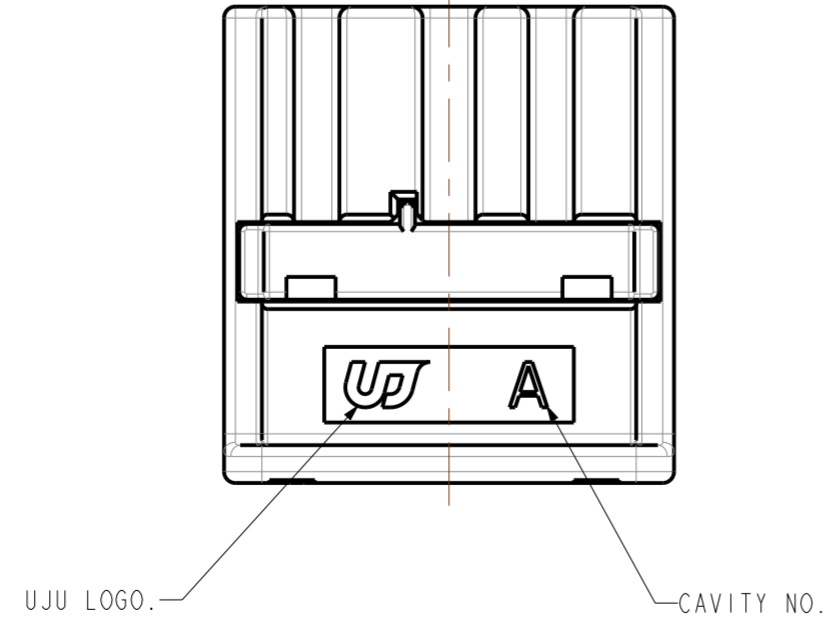
| REV | REVISION RECORD | DATE | DRWN | CHKD | APVD |
|-----|----------------------|-----------|------|------|------|
| A | RELEASED | 21.JUN'19 | DR | KH | CY |
| B | REVSED (RD-2020-029) | 09.MAR'20 | DR | KH | CY |



SECTION A-A



- NOTE.
- GENERAL TOLERANCE : REFER TO DIN 16742 TG6 SPECIFICATION.
 - DELIVERY CONDITION : TPA FIRST LOCK POSITION
 - BURR 0.3 MAX.
 - NO CRACK.
 - ALL LETTERS SHALL BE CLEAR AND LEGIBLE
 - PACKING :TRAY
 - APPLICABLE RECEPTACLE TERMINAL :
 - FEMALE CONTACT : 020_D_F_TML_G
 - PART NO. : KH1710007-22
 - WIRE SIZE RANGE : 0.3 ~0.5mm²
 - MATERIAL : C64750-H(CuNiSi-H)
 - FINISH : 0.8um Min. TIN PLATED (REFLOW)
OVER 0.5um Min COPPER (MATTE)
 - FLAMMABILITY : UL94 - HB



| NO | DESCRIPTION | MATERIAL | FINISH/COLOR | Q'TY |
|----|---------------------|----------|--------------|------|
| 2 | 020_D_5P_TPA_HSG_GN | PBT GF10 | GREEN | 1 |
| 1 | 020_D_5F_HSG_BK | PBT GF10 | BLACK | 1 |
| 1 | 020_D_5F_HSG_NR | PBT GF10 | NATURAL | 1 |
| NO | DESCRIPTION | MATERIAL | FINISH/COLOR | Q'TY |

| | | | | |
|--------------|------------------|--|------------------|---------------|
| DRWN | DR KOO | (주)우주 일렉트로닉스 UJU Electronics co.,Ltd. | NAME | |
| CHKD | KH PARK | | 020_D_5F_ASSY_G | |
| APVD | CY CHOI | | CUSTOMER DRAWING | DRAWING NO |
| MATERIAL | | SEE TABLE | | KHI810066 |
| FINISH/COLOR | | SEE TABLE | | |
| PRODUCT SPEC | APPLICATION SPEC | WEIGHT | LOC | RESTRICTED TO |
| - | - | - | - | - |
| SCALE | | SHEET | | REV |
| A2 | | 1 OF 1 | | B |