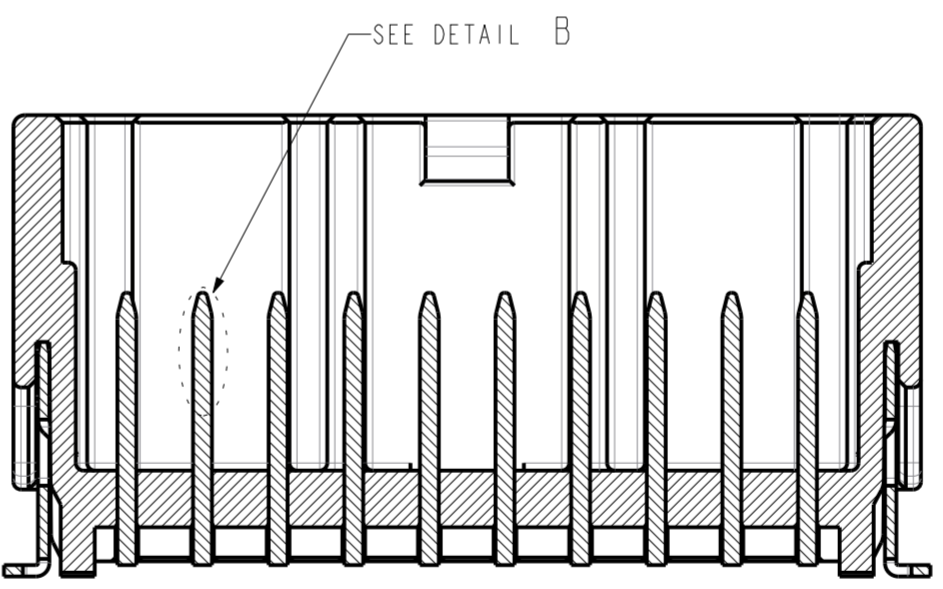
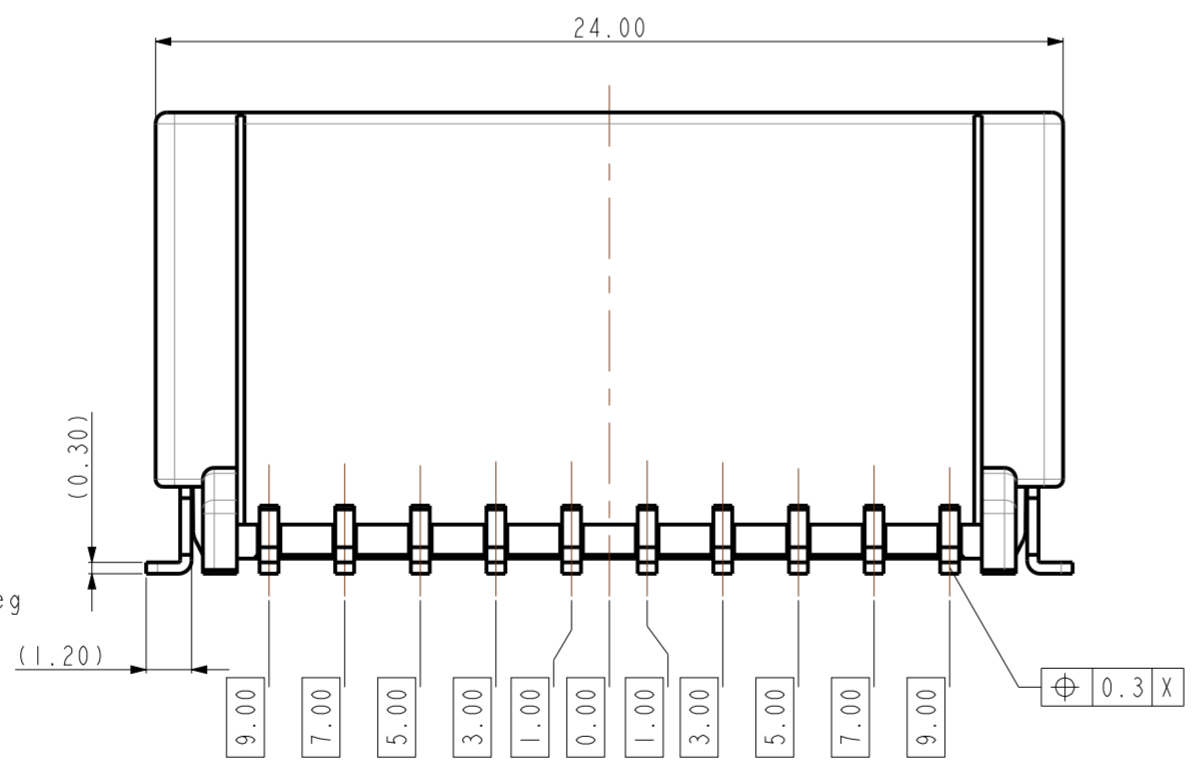
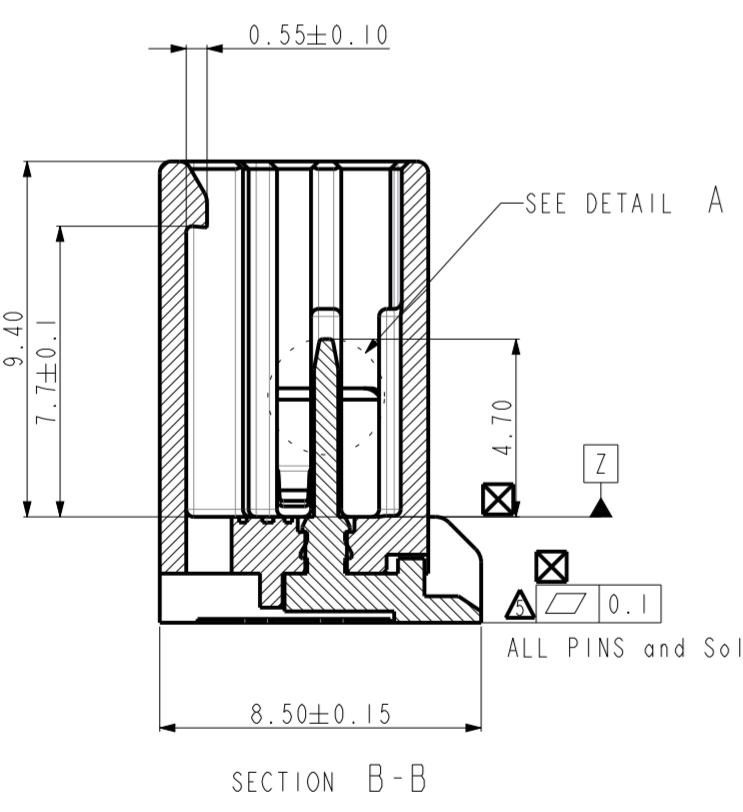
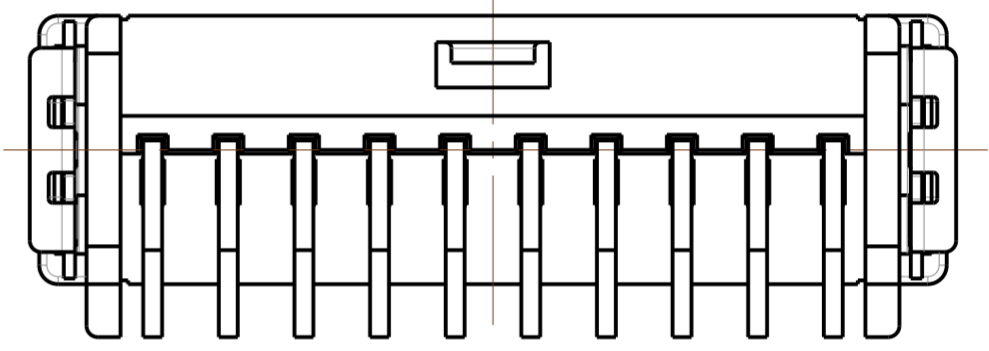
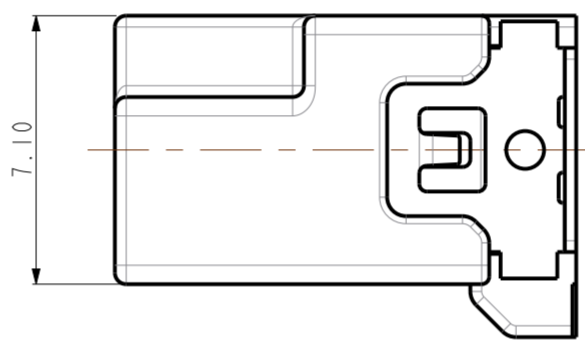
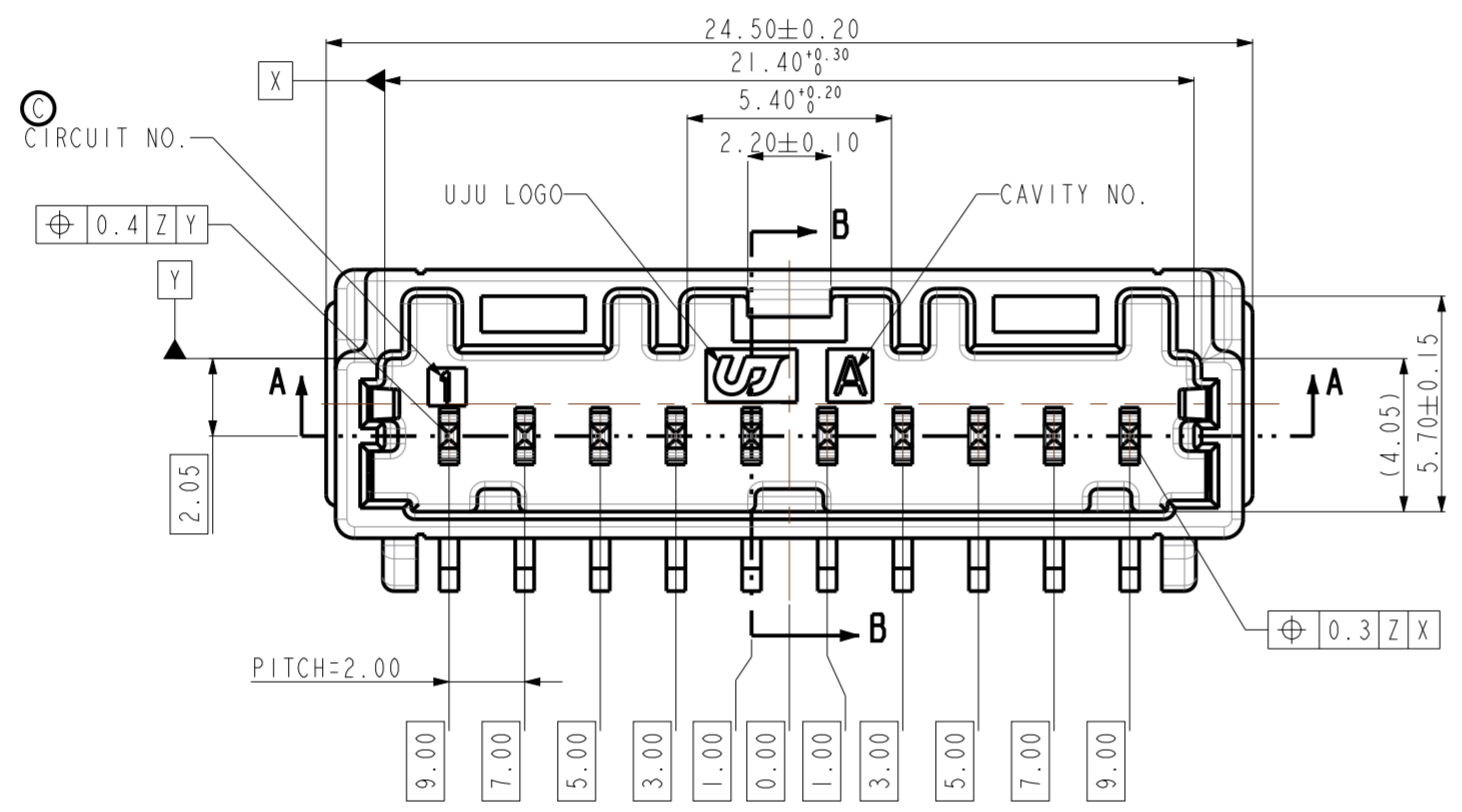
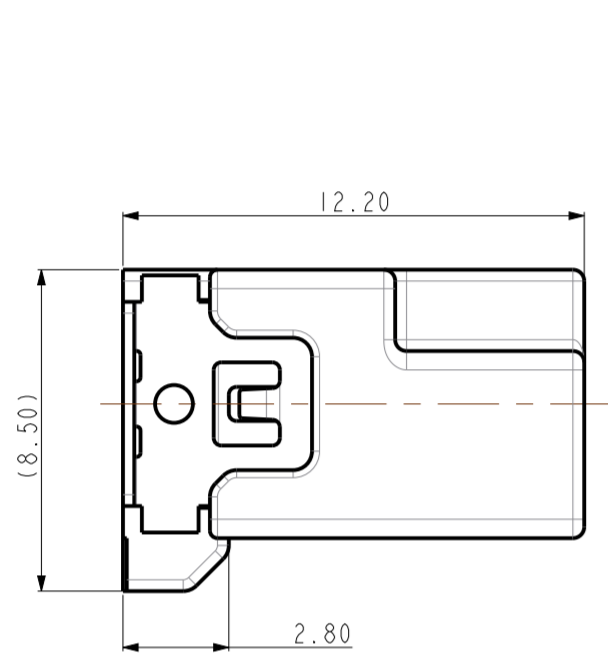
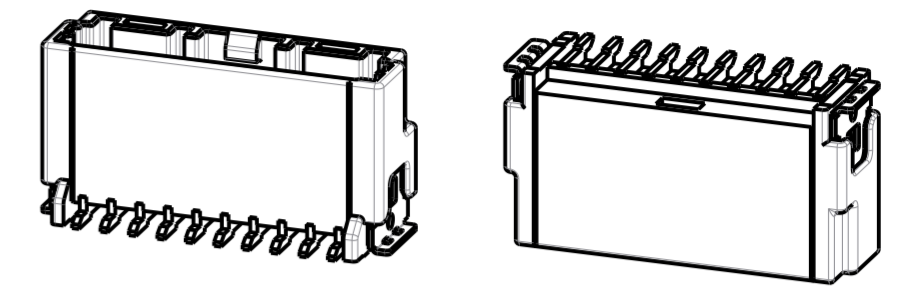
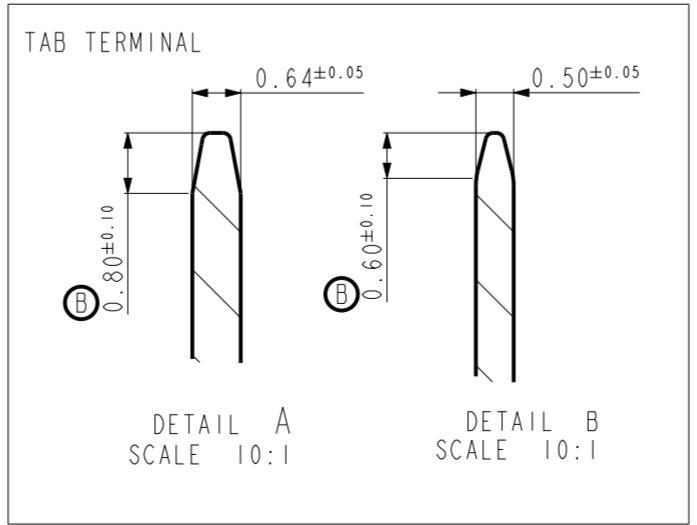
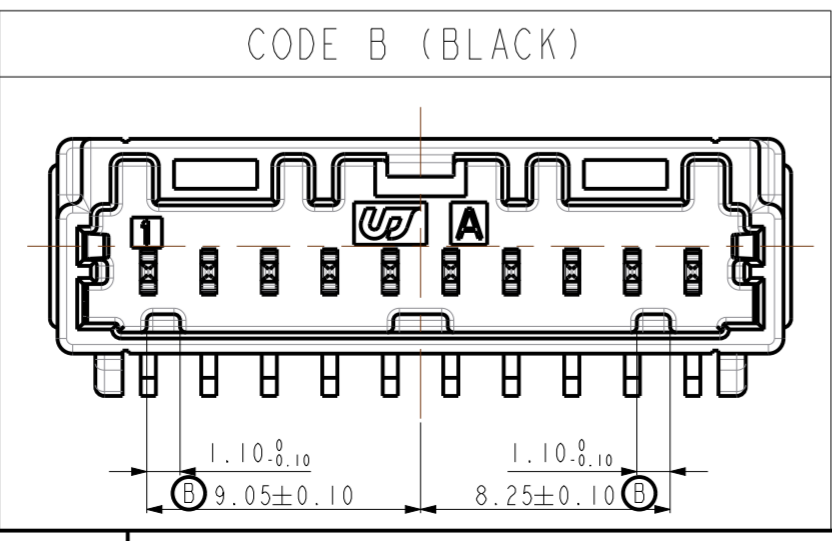
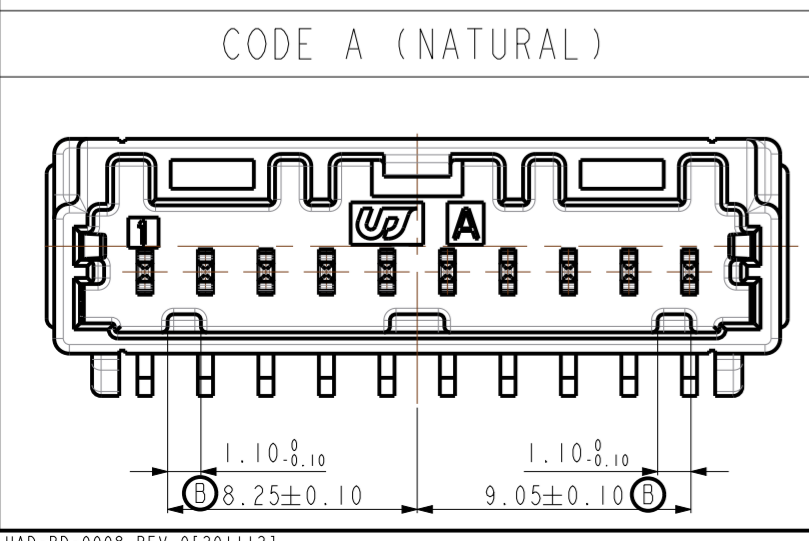


REV	REVISION RECORD	DATE	DRWN	CHKD	APVD
A	RELEASED	21.JUN'19	DR	KH	CY
B	REVISED (RD-2020-029)	09.MAR'20	DR	KH	CY
C	REVISED (RD-2020-140)	23.OCT'20	DR	KH	CY



- NOTE.
- GENERAL TOLERANCE : REFER TO DINI6742 TG5 SPECIFICATION
 - BURR 0.3 MAX.
 - NO CRACK
 - ALL LETTERS SHALL BE CLEAR AND LEGIBLE
 - MEASURING THE DIMENSIONS OF TAB TML AND SOLDER PEG.
 - FINISH TAB TML AND SOLDER PEG
TIN PLATING 2.0~4.0um MATTE
OVER NICKEL PLATING 0.8~2.0um MATTE
 - PACKING : EMBOSS TAPE
 - FLAMMABILITY : UL94 - HB
 - VACUM GRIP AREA FREE OF BURR AND FECTOR PINS. MAXØ4.0mm

NO	DESCRIPTION	MATERIAL	FINISH/COLOR	Q'TY
⑤	020_D_COVER_HSG_BK	LCP (E47Ii)	BLACK	1
④	020 SMT SOLDER PEG-LEFT (VTC)	BRASS	POST-TIN	1
③	020 SMT SOLDER PEG-RIGHT (VTC)	BRASS	POST-TIN	1
②	020 SMT TAB TML (VTC)	BRASS	POST-TIN	10
①	020_D_SMT_10M_V_HSG_BK	PA9T GF30	BLACK	1
①	020_D_SMT_10M_V_HSG_NR	PA9T GF30	NATURAL	1



CONTROL PRIORITY DIMENSION		DRWN
■ CRITICAL	☒ MAJOR	DR KOO
□ MINOR		CHKD KH PARK
TOLERANCES UNLESS OTHERWISE SPECIFIED		APVD CY CHOI
0	±	MATERIAL SEE TABLE
0.00	±	FINISH/COLOR SEE TABLE
0.000	±	WEIGHT -
0.0000	±	LOC -
ANGLES	±	RESTRICTED TO -
PRODUCT SPEC		APPLICATION SPEC -

NAME		DRAWING NO	
020_D_SMT_10M_V_ASSY_G		KH1810028	
CUSTOMER	UJU Electronics co.,Ltd.	SCALE	5:1
DRAWING		SHEET	1 OF 1
REV	C	SIZE	A2