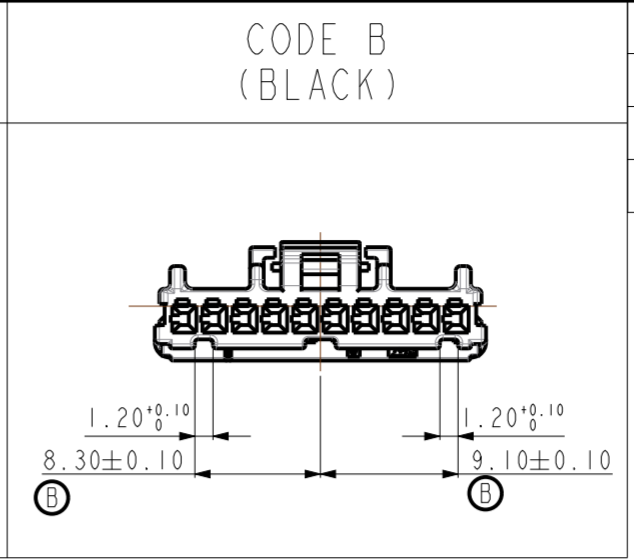
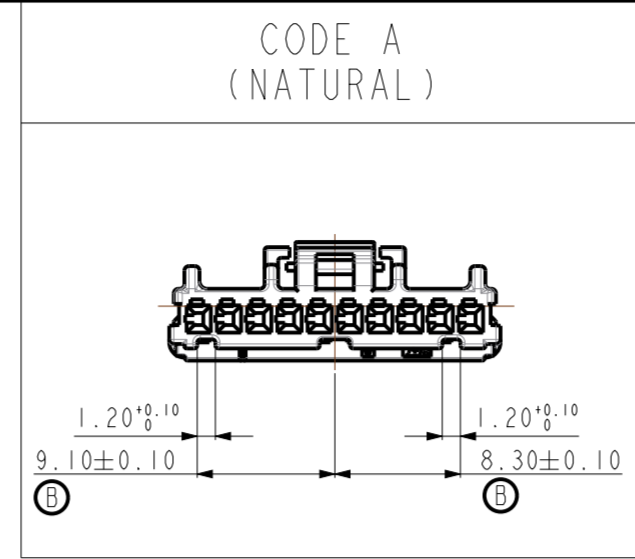
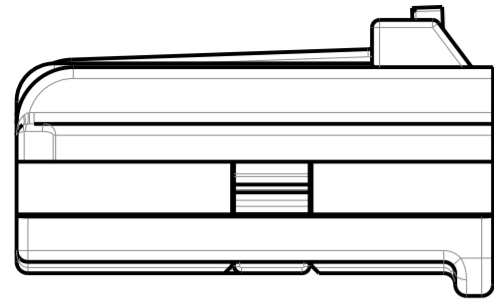
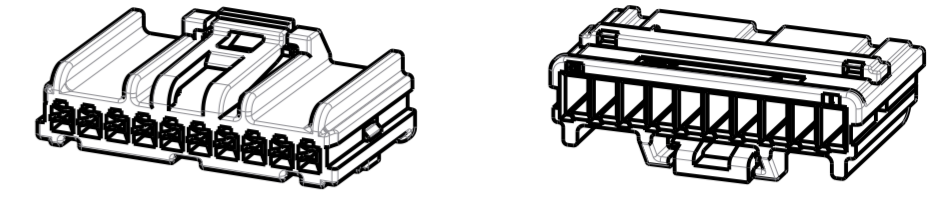


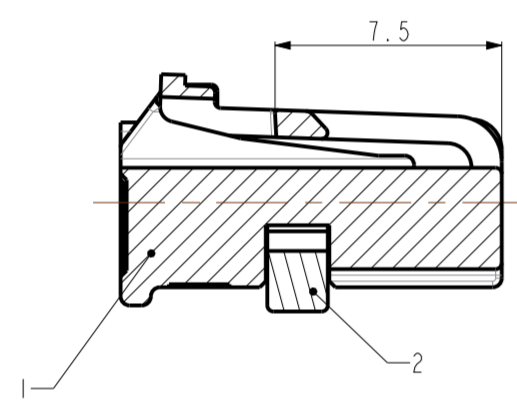
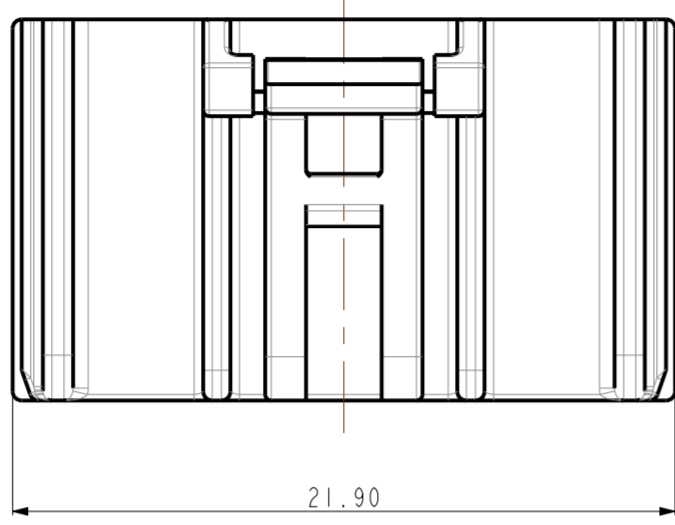
TPA SECONDARY LOCK POSITION



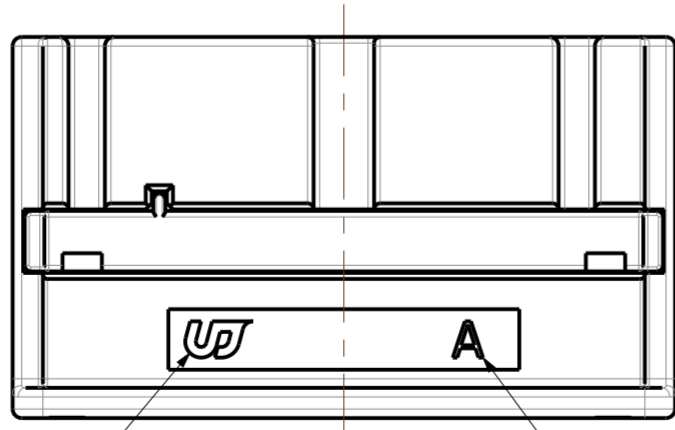
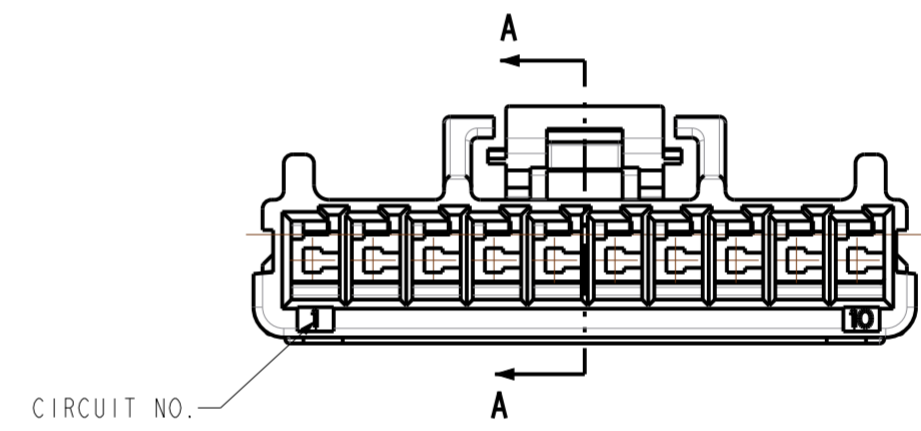
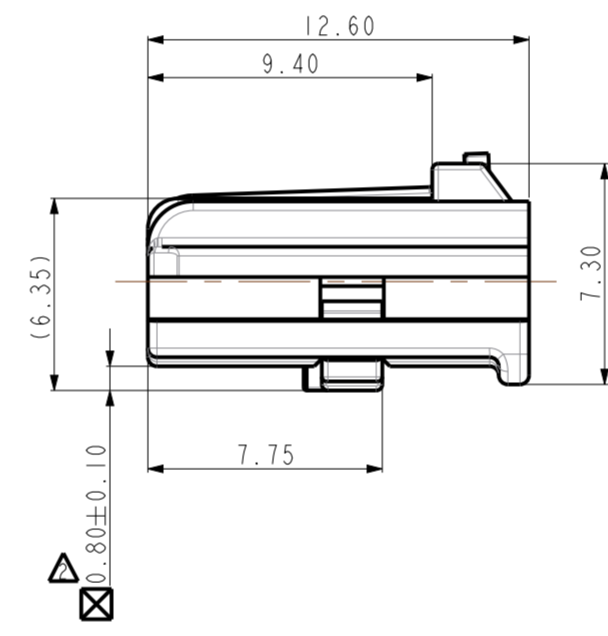
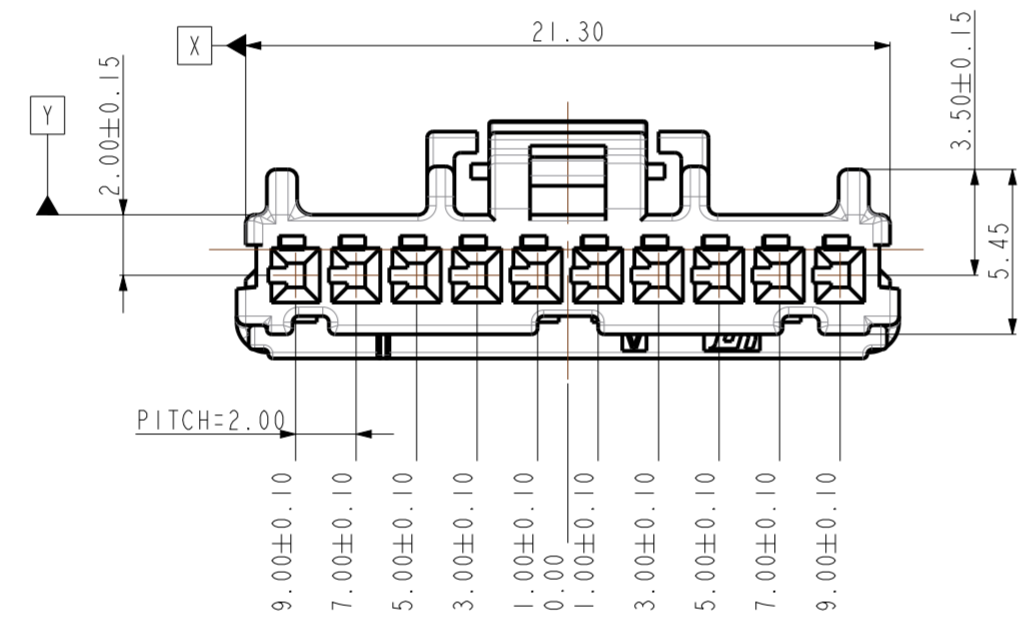
REV	REVISION RECORD	DATE	DRWN	CHKD	APVD
A	RELEASED	21.JUN'19	DR	KH	CY
B	REVISED (RD-2020-029)	09.MAR'20	DR	KH	CY



ISO VIEW



SECTION A-A



UJU LOGO.

CAVITY NO.

- NOTE.
- GENERAL TOLERANCE : REFER TO DIN16742 TG6 SPECIFICATION
  - DELIVERY CONDITION : TPA FIRST LOCK POSITION
  - BURR 0.3 MAX.
  - NO CRACK.
  - ALL LETTERS SHALL BE CLEAR AND LEGIBLE
  - PACKING :TRAY
  - APPLICABLE RECEPTACLE TERMINAL :
    - FEMALE CONTACT : 020\_D\_F\_TML\_G
    - PART NO. : KH1710007-22
    - WIRE SIZE RANGE : 0.3 ~0.5mm<sup>2</sup>
    - MATERIAL : C64750-H(CuNiSi-H)
    - FINISH : 0.8um Min. TIN PLATED (REFLOW)  
OVER 0.5um Min COPPER (MATTE)
  - FLAMMABILITY : UL94 - HB

NO	DESCRIPTION	MATERIAL	FINISH/COLOR	Q'TY
②	020_D_10P_TPA_HSG_GN	PBT GF10	GREEN	I I
①	020_D_10F_HSG_BK	PBT GF10	BLACK	I -
	020_D_10F_HSG_NR	PBT GF10	NATURAL	- I

CONTROL PRIORITY DIMENSION		DRWN	DR KOO			
<input checked="" type="checkbox"/> CRITICAL <input checked="" type="checkbox"/> MAJOR <input type="checkbox"/> MINOR		CHKD	KH PARK			
TOLERANCES UNLESS OTHERWISE SPECIFIED 0 ± 0.0 ± 0.00 ± 0.000 ± 0.0000 ± ANGLES ±		APVD	CY CHOI			
UNIT MM THIRD ANGLE PROJECTION		MATERIAL	SEE TABLE			
PRODUCT SPEC -		FINISH/COLOR	SEE TABLE			
APPLICATION SPEC -		WEIGHT	-			
		NAME 020_D_10F_ASSY_G		CUSTOMER DRAWING KHI810025		
		LOC	RESTRICTED TO	SIZE	SCALE	SHEET
		-	-	A2	5:1	1 OF 1
						REV B

DESCRIPTION	CODE	ASS'Y P/N	REV.
020_D_10F_ASSY_BK_G	B	KHI810025-21	B
020_D_10F_ASSY_NR_G	A	KHI810025-10	B