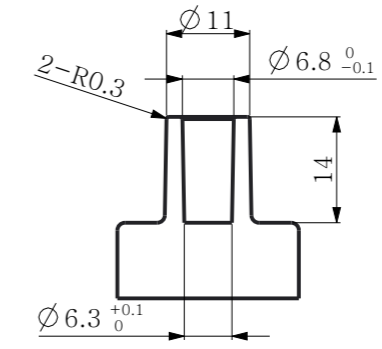


REV	REVISION RECORD	DATE	DRWN	CHKD	APVD
A	RELEASED(RD-2019-114)	2019.07.22	KH	KH	CY
B	RELEASED(RD-2019-162)	2019.11.13	JH	KH	CY

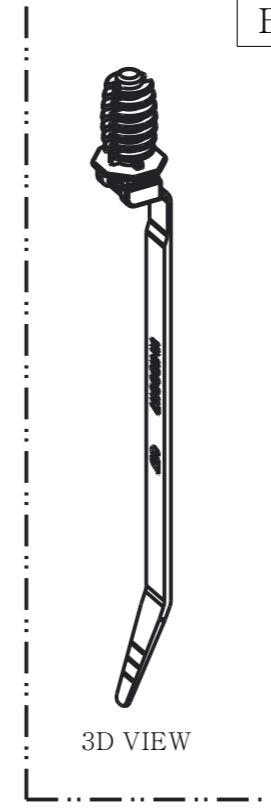
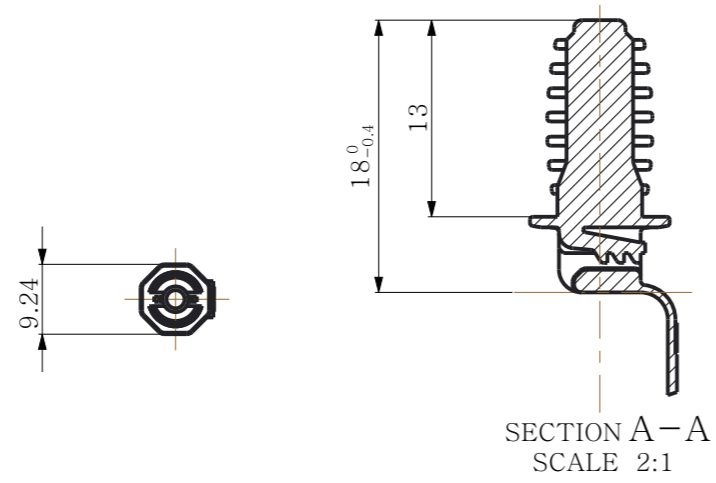
- NOTE.
1. GENERAL TOLERANCE : SEE TABLE
 2. UNLESS OTHERWISE SPECIFIED DRAFT ROUND R0.3 OR C0.3 MAX.
 3. BURR AND WARPAGE WILL NOT BE HARMFUL FUNCTIONALITY
 4. ALL LETTERS SHALL BE CLEAR AND LEGIBLE. DEPTH 0.1 MIN.
 5. ALL CAVITIES ARE TYPICAL
 6. SURFACE DEFECTS ARE NOT ACCEPTABLE AS FOLLOW, SINK WELD LINES, HAIRCRACKS, STRAINS & SCORES.
 7. APPLICABLE WIRE BUNDLE SPECIFICATION : $\phi 2.7 \sim \phi 10$
 8. USE THE GIVEN PLASTICS HOLE (MOUNTING HOLE)



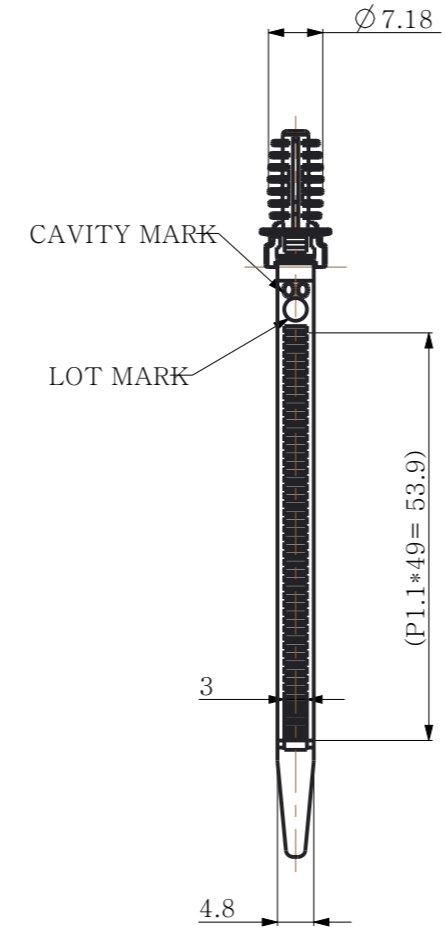
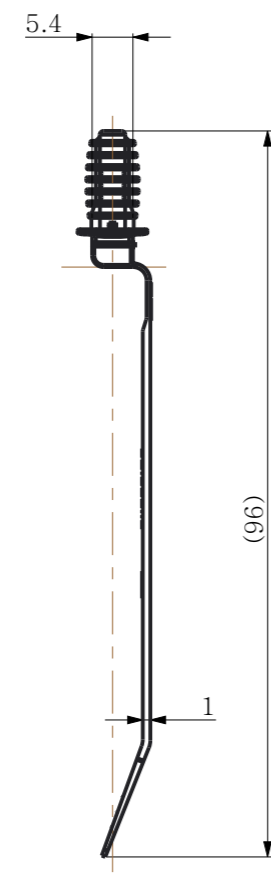
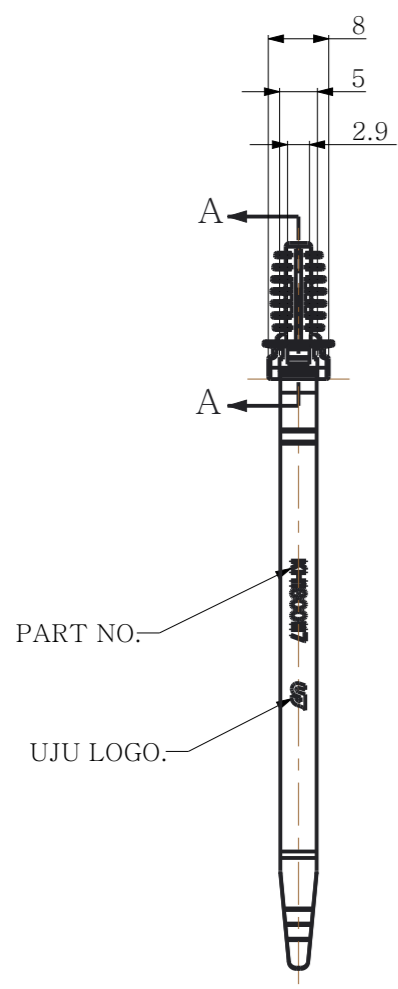
PLASTICS HOLE SPEC.

9. THIS PRODUCT IS FOR THE AUTOMOTIVE LAMP
10. EVALUATE ACCORDING TO ES91600-00. BUT JUDGMENT FOLLOW THE TABLE BELOW.

ITEM	SPECIFICATION	REMARK
MOUNTING HOLE	INSERTION FORCE	9kgf MAX.
	RETENTION FORCE	3kgf MIN.
WIRE FASTENING PART	INSERTION FORCE	7kgf MAX.
	RETENTION FORCE	10kgf MIN.



3D VIEW



TOLERANCE						
10MAX	50MAX	100MAX	150MAX	200MAX	200VR	ANGLE
±0.2	±0.30	±0.50	±0.8	±1.0	±1.4	±0.5도

TOLERANCES UNLESS OTHERWISE SPECIFIED	UNIT MM
0 ±	THIRD ANGLE PROJECTION
0.0 ±	
0.00 ±	
0.000 ±	
0.0000 ±	
ANGLES ±	
PRODUCT SPEC	APPLICATION SPEC

1	BAND_CABLE_φ7	KH1800117-30	PA66	GRAY
	BAND_CABLE_φ7	KH1800117-20	PA66	BLACK
NO.	DESCRIPTION	PART NO.	MATERIAL	FINISH/COLOR

DRWN	KH.PARK			
CHKD	KH.PARK			
APVD	CY.CHOI			
MATERIAL	SEE TABLE			
FINISH/COLOR	SEE TABLE			
WEIGHT				
NAME		BAND_CABLE_φ7		
CUSTOMER DRAWING		DRAWING NO KH1800117		
LOC	RESTRICTED TO	SIZE	SCALE	SHEET
		A3	1:1	1 OF 1
		REV	B	