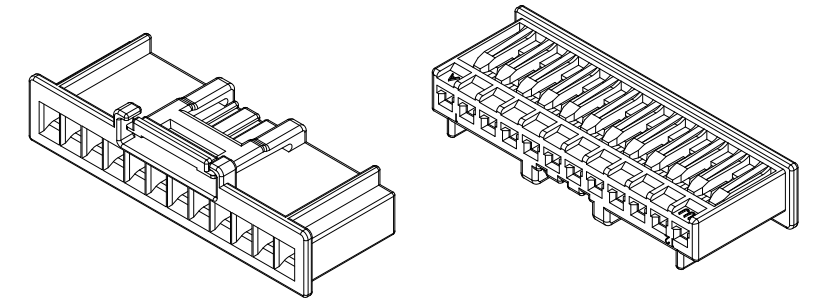
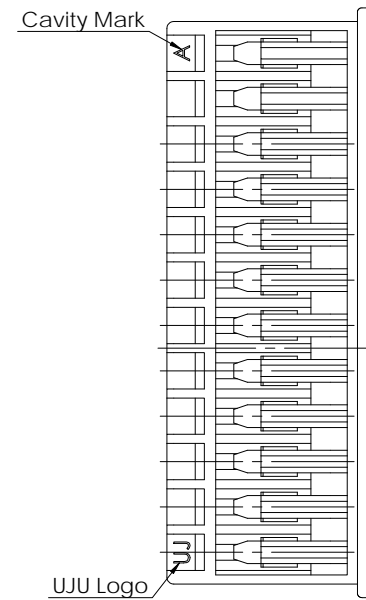
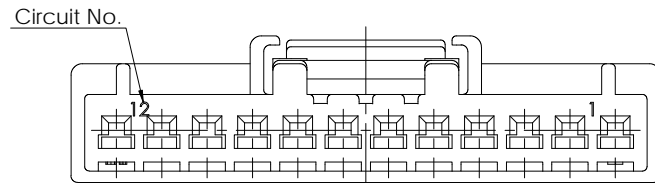
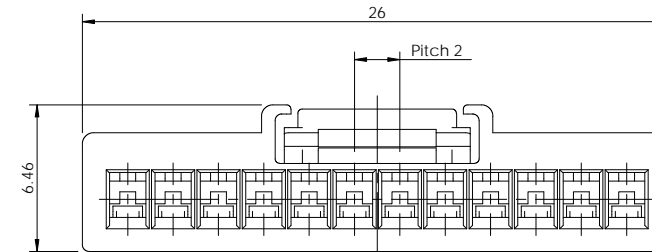
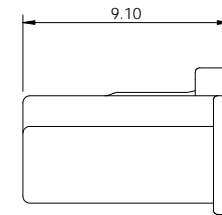
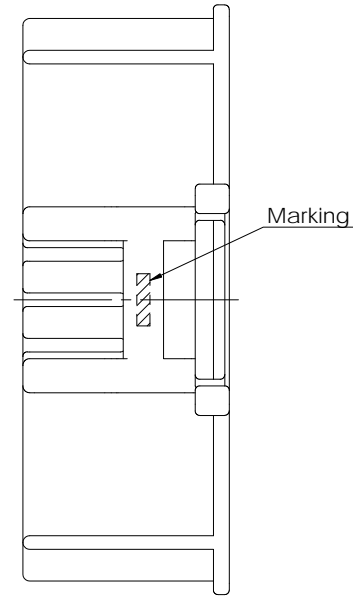


REV	REVISION RECORD	DATE	DRWN	CHKD	APVD
A	RELEASED	16 JUL '19	JK	KH	CY



3D View



-Note-

1. General Tolerance : ± 0.3
2. HSG Description : See Table-1
3. Applicable Receptacle : See Table-2

<Table-1>

Description	Part No.	Material	Finish / Color		Marking Color
			Black	White	
020_S_12F_HSG	KH1800111-20	PBT-GF30	Black	White	Black
	KH1800111-10		Natural	Black	

DRWN JK. HWANG	(주)우주 일렉트로닉스 UJU Electronics co.,Ltd.		NAME	
CHKD KH. PARK			020_S_12F_HSG	
APVD CY. CHOI	MATERIAL		SEE TABLE	
FINISH/COLOR		SEE TABLE		CUSTOMER DRAWING
WEIGHT		DRAWING NO		KH1800111
LOC		RESTRICTED TO	SIZE	
SHEET		1 of 1		REV
A3		3:1		A

<Table-2>

Description	Part No.	Material	Wire Size (mm)
020 S Female Terminal	KH1400004-21	Copper Alloy	0.30

TOLERANCES UNLESS OTHERWISE SPECIFIED	UNIT
0	MM
0.0	
0.00	
0.000	
0.0000	
ANGLES	

THIRD ANGLE PROJECTION	UNIT
	MM