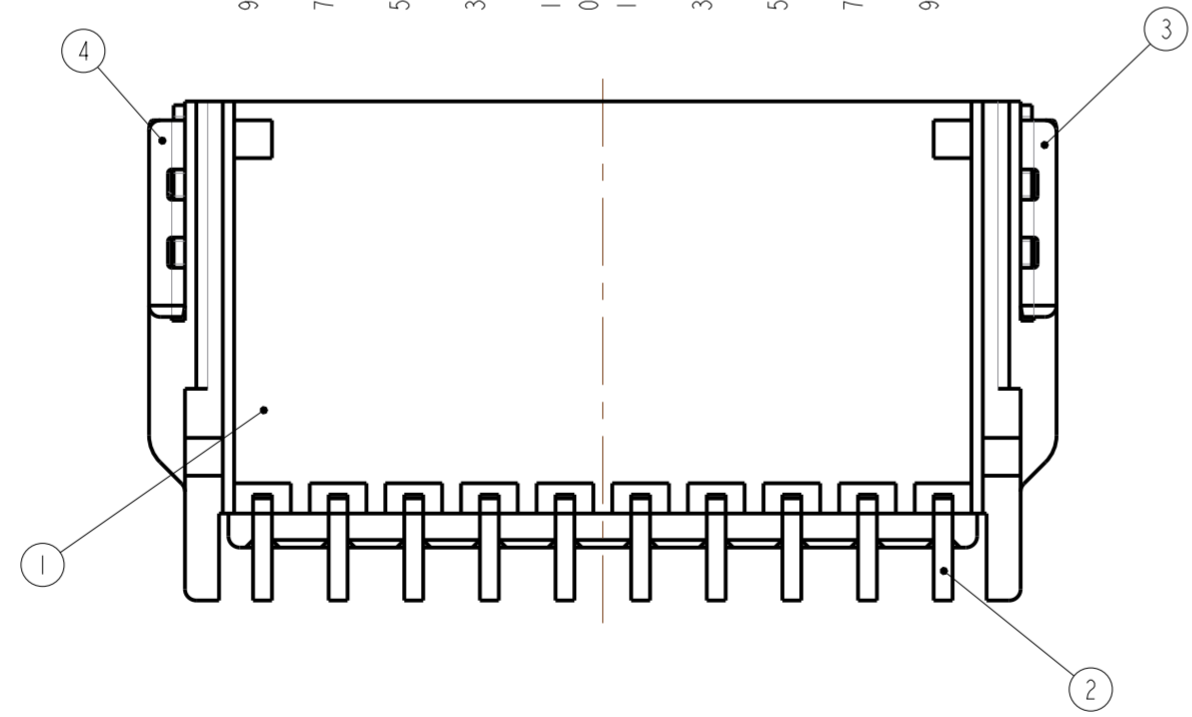
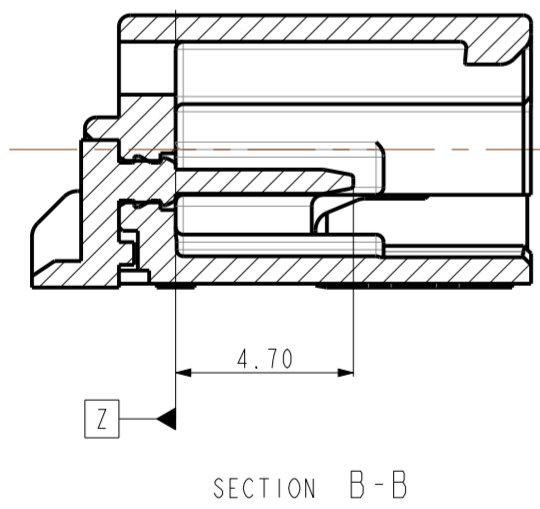
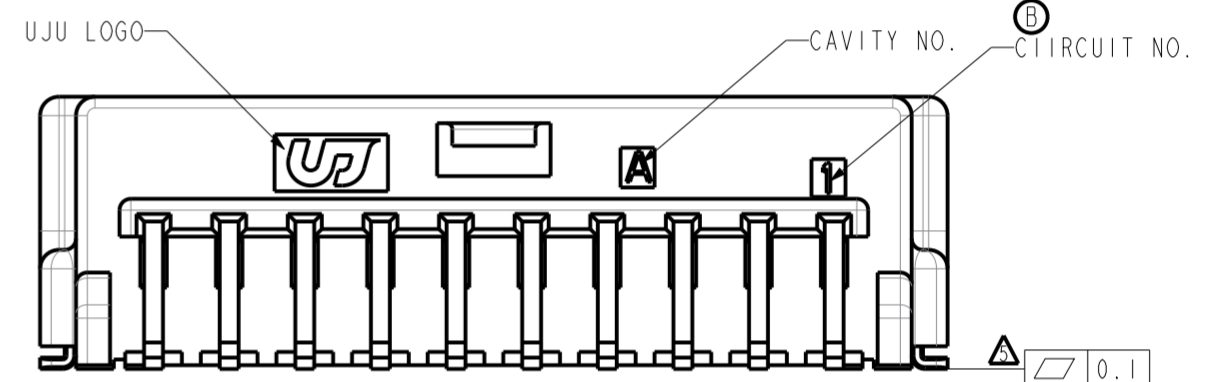
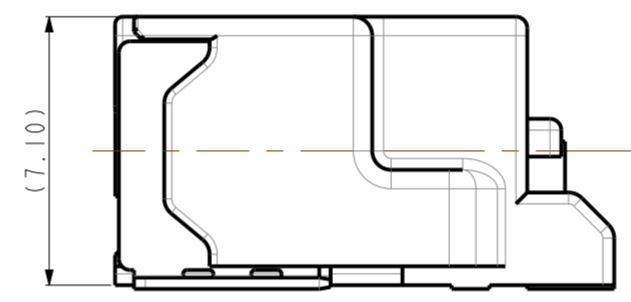
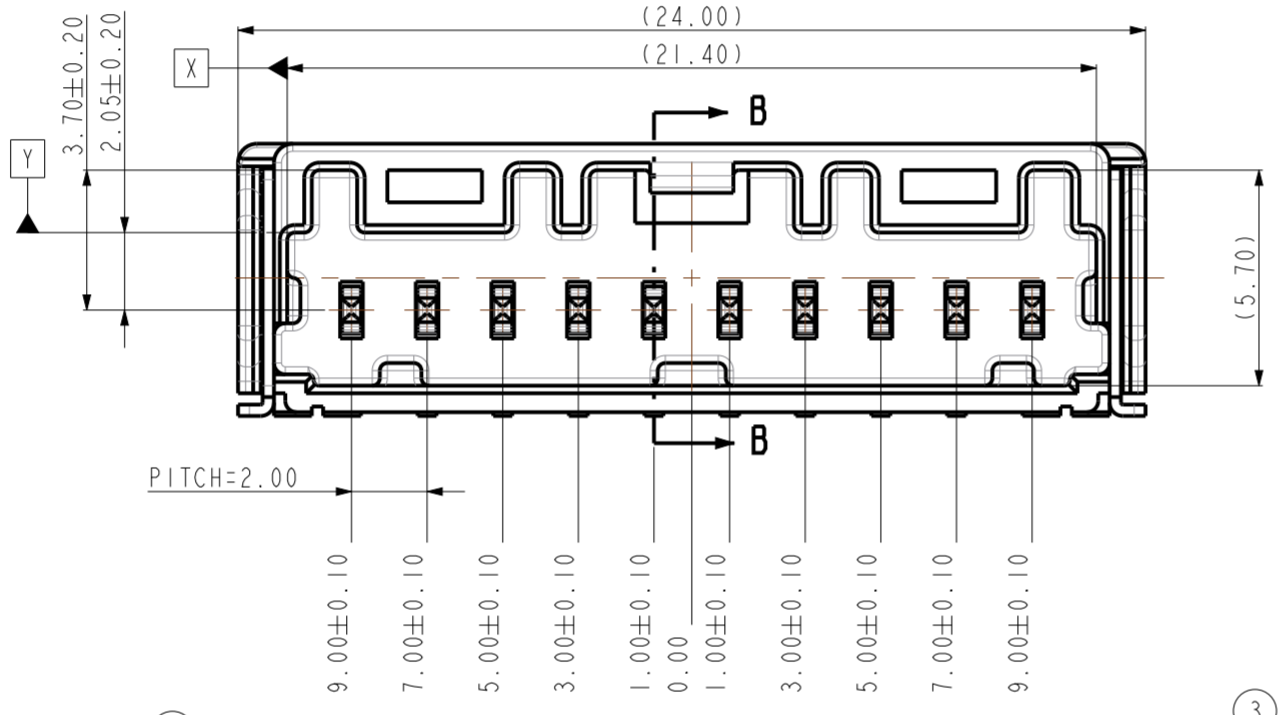
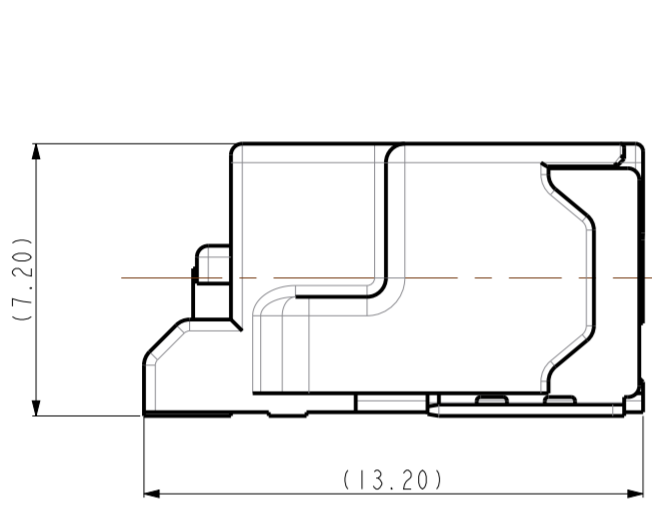
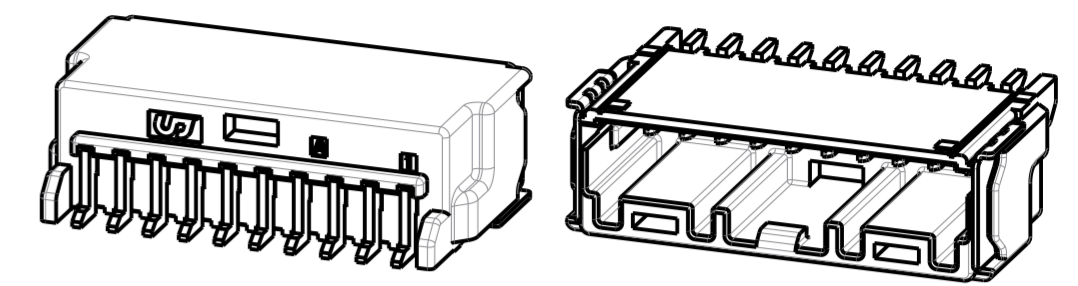


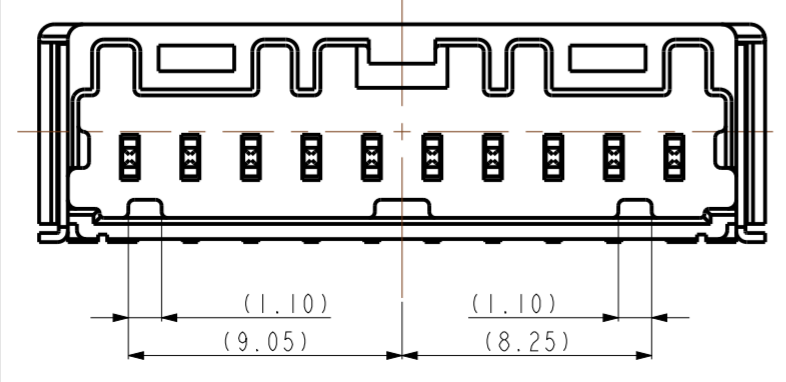
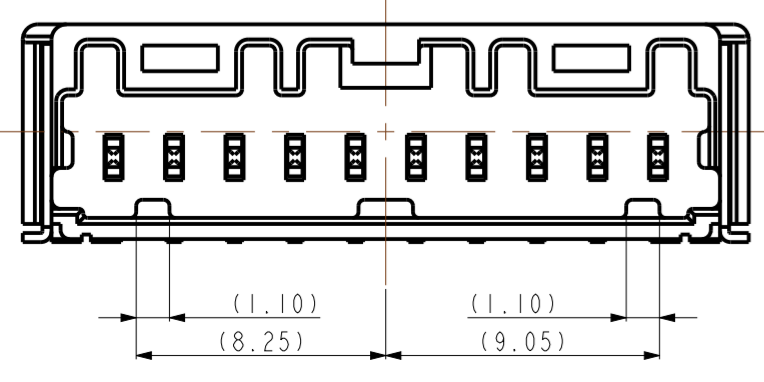
REV	REVISION RECORD	DATE	DRWN	CHKD	APVD
A	RELEASED	30.JUN'20	DR	KH	CY
B	REVISED (RD-2020-140)	23.OCT'20	DR	KH	CY



- NOTE.
- GENERAL TOLERANCE : ±0.3, ±3.0°
 - BURR 0.3 MAX.
 - NO CRACK
 - ALL LETTERS SHALL BE CLEAR AND LEGIBLE
 - MEASURING THE DIMENSIONS OF TAB TML AND SOLDER PEG.
 - VACUM GRIP AREA FREE OF BURR AND FECTOR PINS. MAX Ø8.0mm

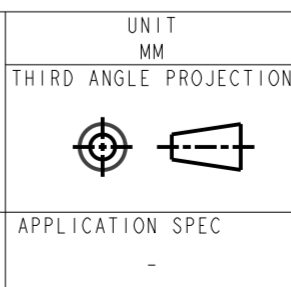
CODE A (NATURAL)

CODE B (BLACK)



NO	DESCRIPTION	MATERIAL	FINISH/COLOR	Q'TY
④	020 SMT SOLDER PEG-LEFT (H2T)	BRASS	POST-TIN	1
③	020 SMT SOLDER PEG-RIGHT (H2T)	BRASS	POST-TIN	1
②	020 SMT TAB TML (H2T)	BRASS	POST-TIN	10
①	020_D_SMT_IOM_H_HSG_BK	PA9T GF30	BLACK	-
①	020_D_SMT_IOM_H_HSG_NR	PA9T GF30	NATURAL	-

TOLERANCES UNLESS OTHERWISE SPECIFIED	UNIT MM
0	THIRD ANGLE PROJECTION
0.0	
0.00	
0.000	
0.0000	
ANGLES	
PRODUCT SPEC	APPLICATION SPEC
-	-



DRWN DR KOO	(주)우주 일렉트로닉스 UJU Electronics co.,Ltd.	NAME	
CHKD KH PARK		020_D_SMT_IOM_H_ASSY	
APVD CY CHOI		CUSTOMER	DRAWING NO
MATERIAL SEE TABLE	DRAWING	KH1800103	
FINISH/COLOR SEE TABLE		LOC	SIZE
WEIGHT	RESTRICTED TO	SCALE	SHEET
-	-	A2	5:1
-	-	1 OF 1	REV
-	-	-	B