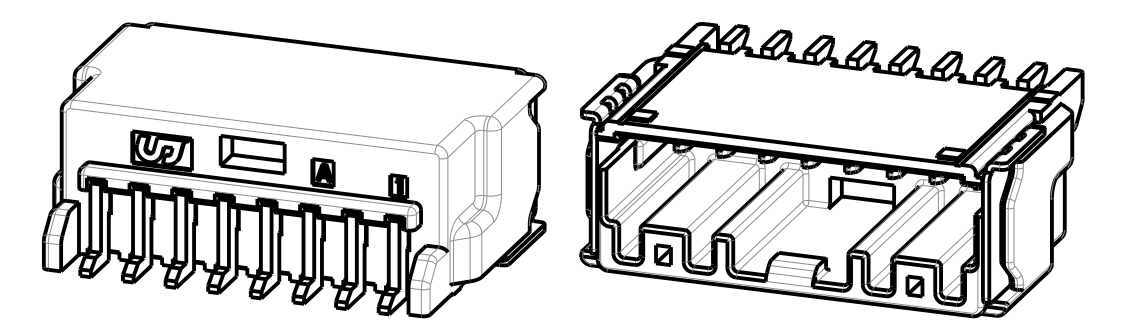
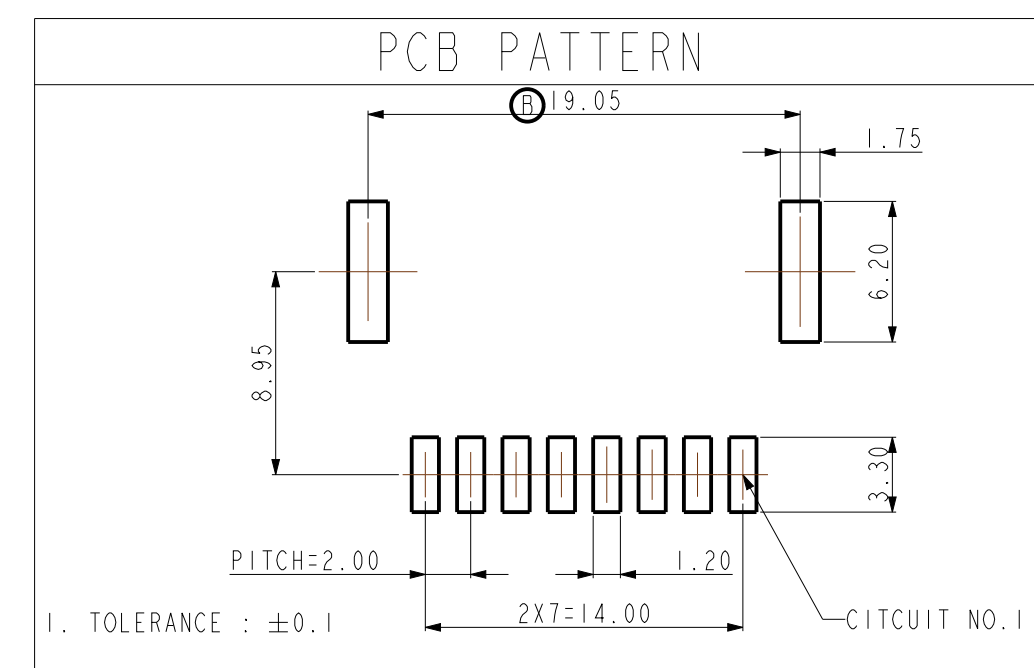
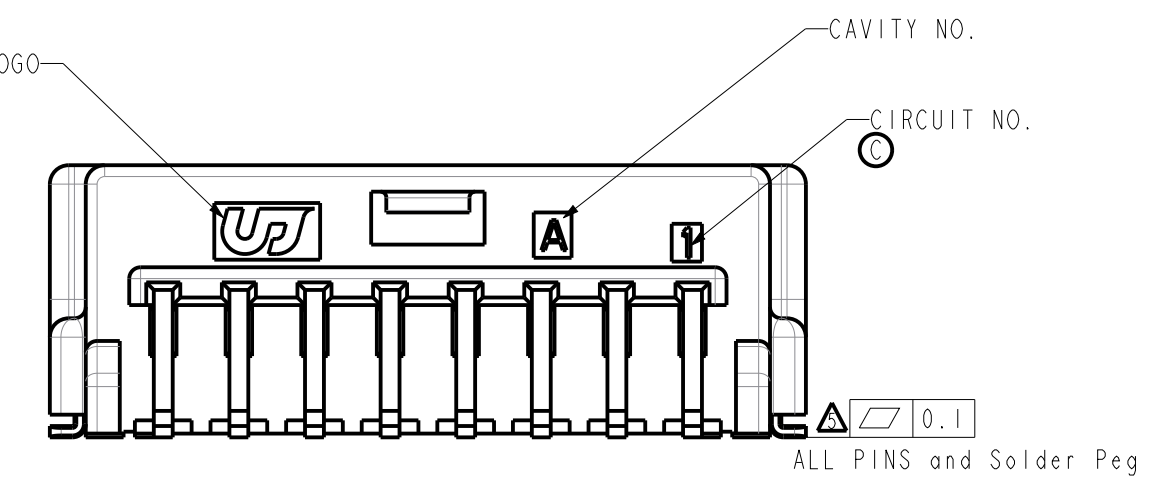
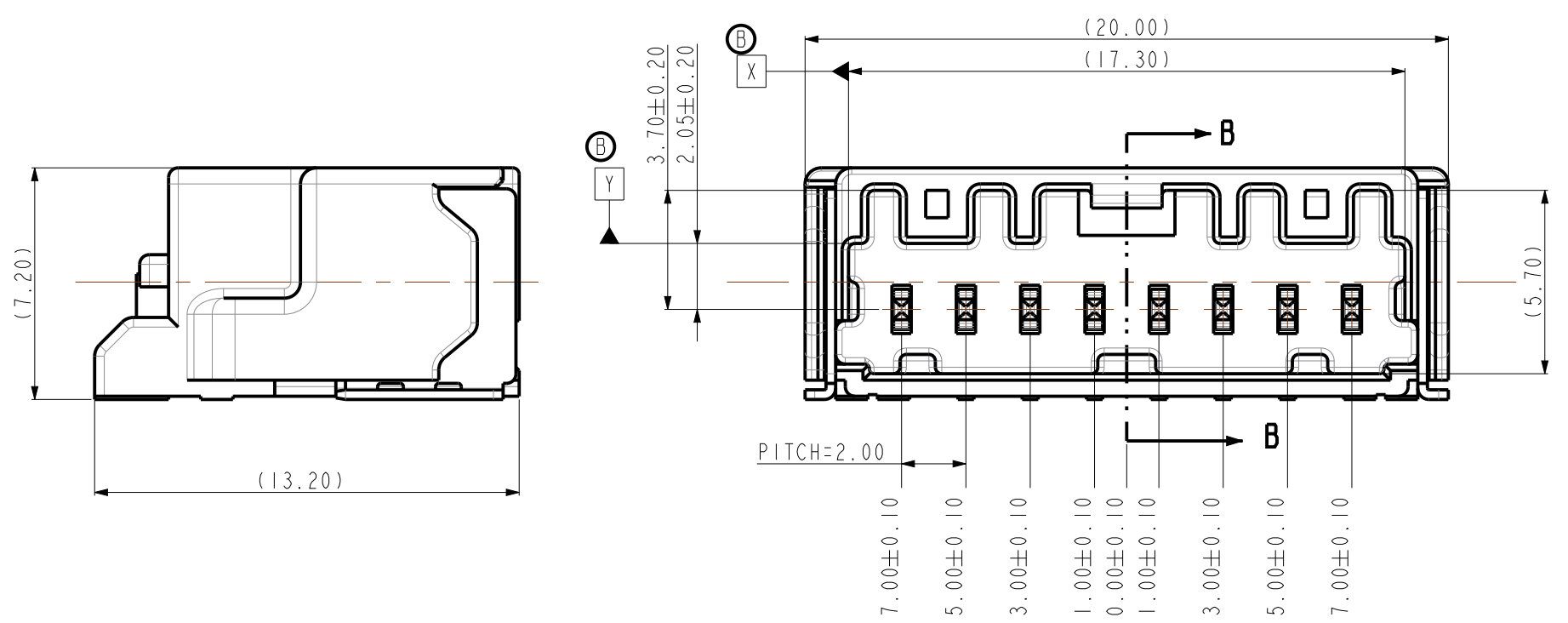
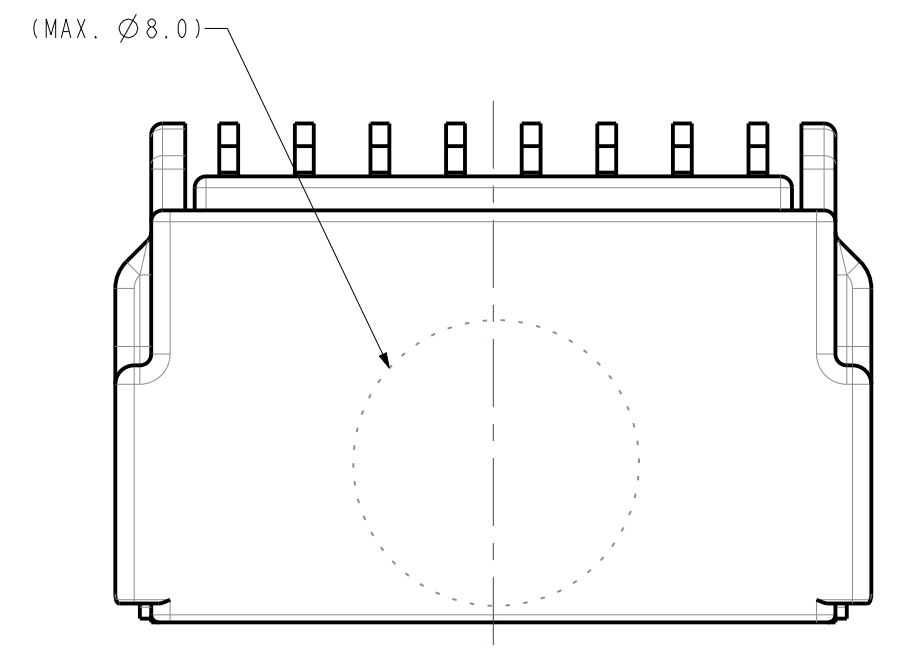


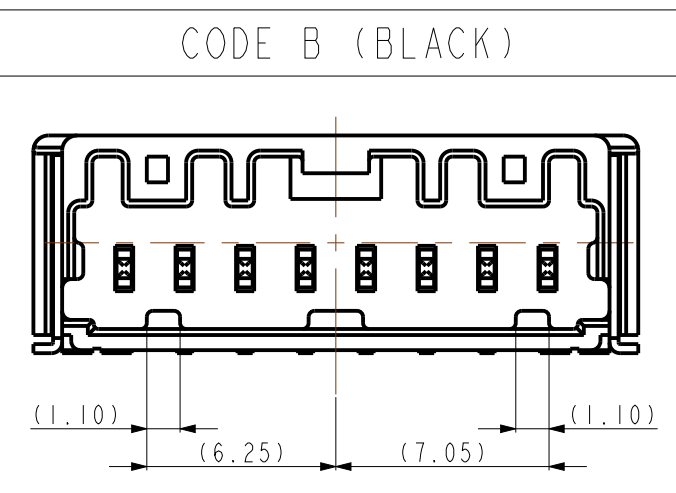
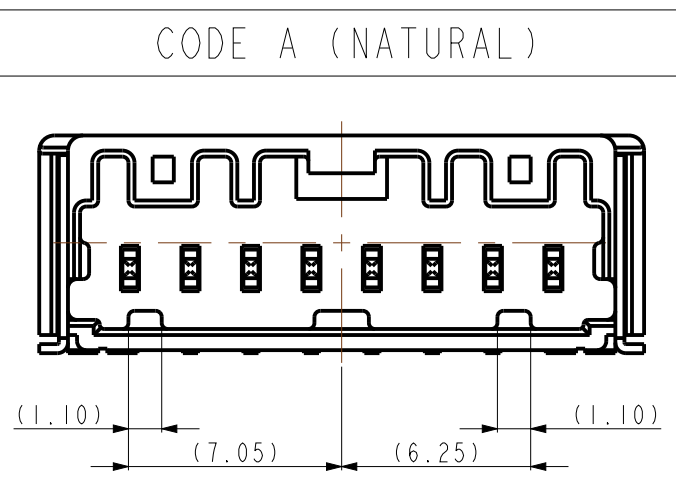
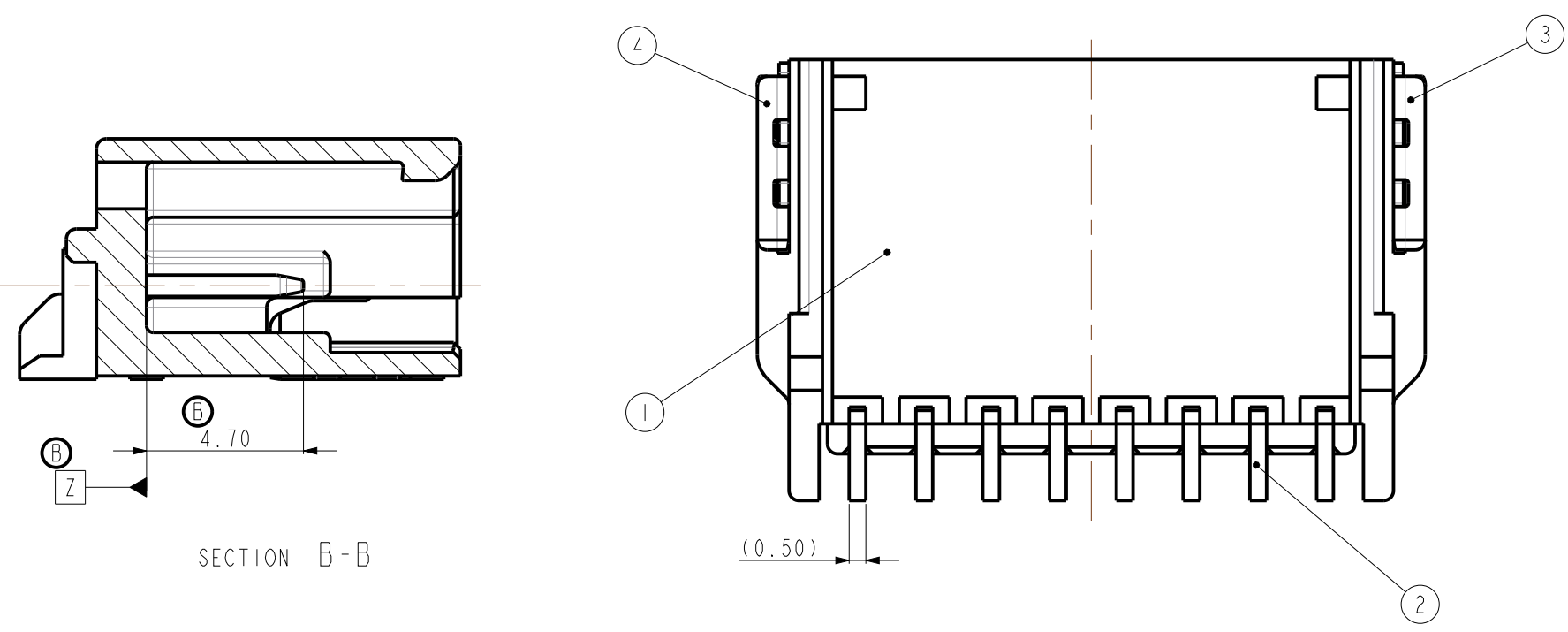
REV	REVISION RECORD	DATE	DRWN	CHKD	APVD
A	RELEASED	08.NOV'19	DR	KH	CY
B	REVISED (RD-2020-027)	27.FEB'20	DR	KH	CY
C	REVISED (RD-2020-140)	23.OCT'20	DR	KH	CY



ISO VIEW



- NOTE.
1. GENERAL TOLERANCE : ±0.3, ±3.0°
  2. BURR 0.3 MAX.
  3. NO CRACK
  4. ALL LETTERS SHALL BE CLEAR AND LEGIBLE
  5. MEASURING THE DIMENSIONS OF TAB TML AND SOLDER PEG.
  6. VACUUM GRIP AREA FREE OF BURR AND FECTOR PINS. MAX Ø8.0mm



NO	DESCRIPTION	MATERIAL	FINISH/COLOR	Q'TY
4	020 SMT SOLDER PEG-LEFT (H2T)	BRASS	POST-TIN	1
3	020 SMT SOLDER PEG-RIGHT (H2T)	BRASS	POST-TIN	1
2	020 SMT TAB TML (H2T)	BRASS	POST-TIN	8
1	020_D_SMT_8M_H_HSG_BK	PA9T-GF30	BLACK	-
1	020_D_SMT_8M_H_HSG_NR	PA9T-GF30	NATURAL	-

DRWN	DR KOO	(주)우주 일렉트로닉스 UJU Electronics co.,Ltd.	NAME				
CHKD	KH PARK		020_D_SMT_8M_H_ASSY				
APVD	CY CHOI		CUSTOMER	DRAWING NO			
MATERIAL	SEE TABLE	DRAWING		KH1800101			
FINISH/COLOR	SEE TABLE	LOC	RESTRICTED TO	SIZE	SCALE	SHEET	REV
PRODUCT SPEC	APPLICATION SPEC	-	-	A2	5:1	1 OF 1	C

TOLERANCES UNLESS OTHERWISE SPECIFIED	UNIT MM
0	±
0.0	±
0.00	±
0.000	±
0.0000	±
ANGLES	±

