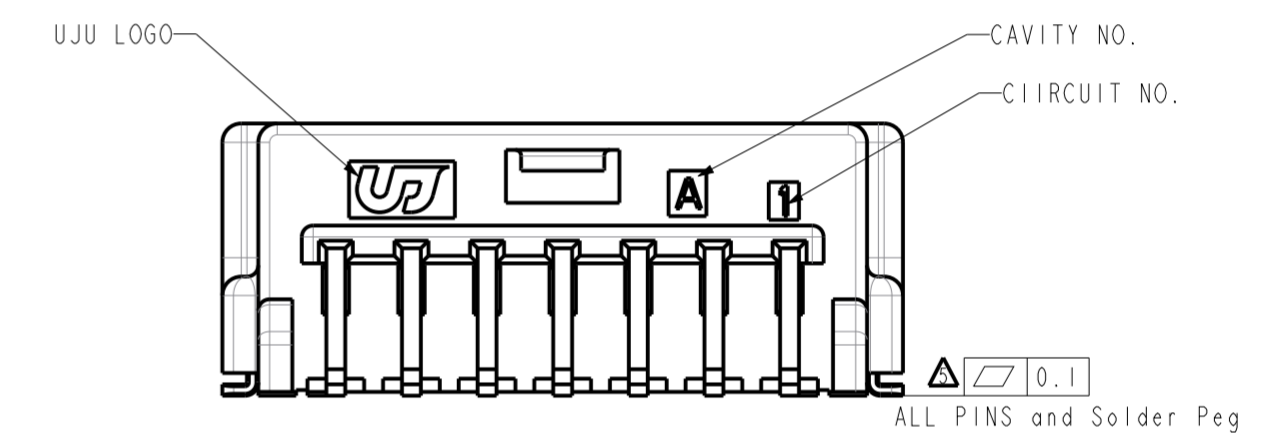
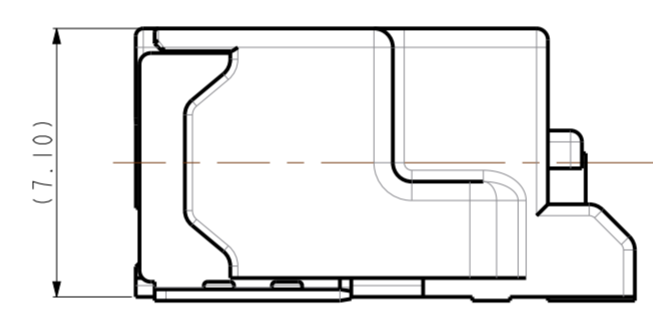
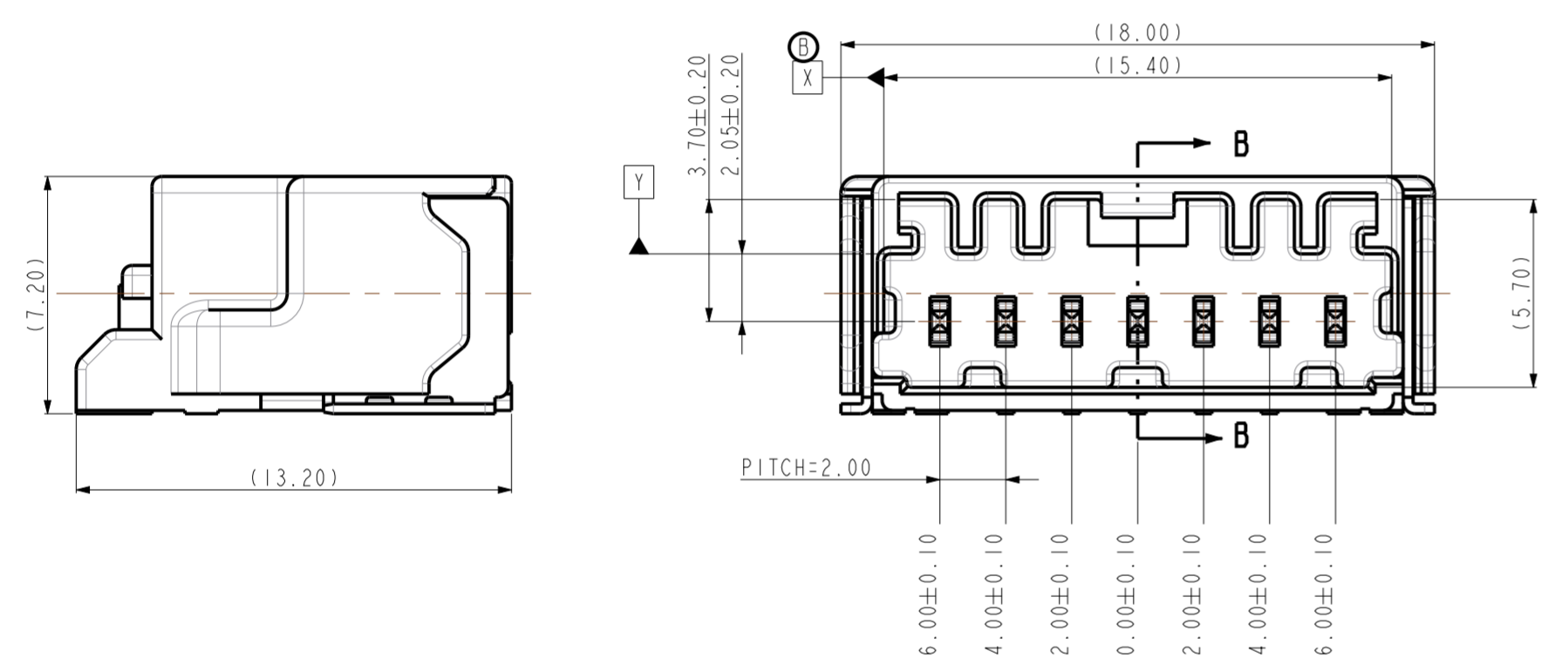
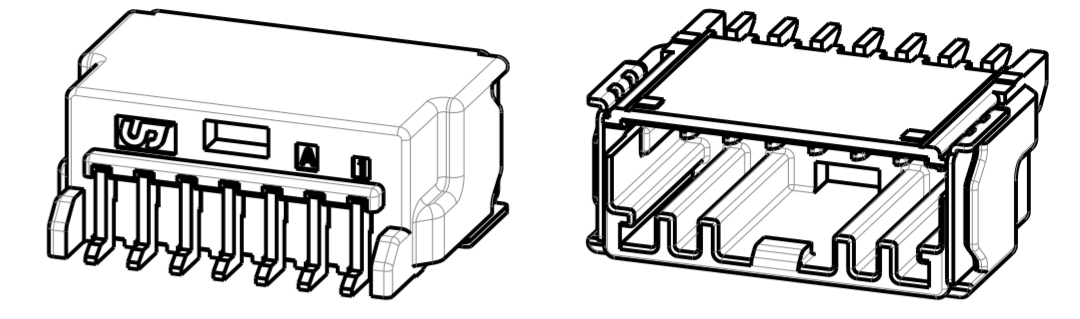
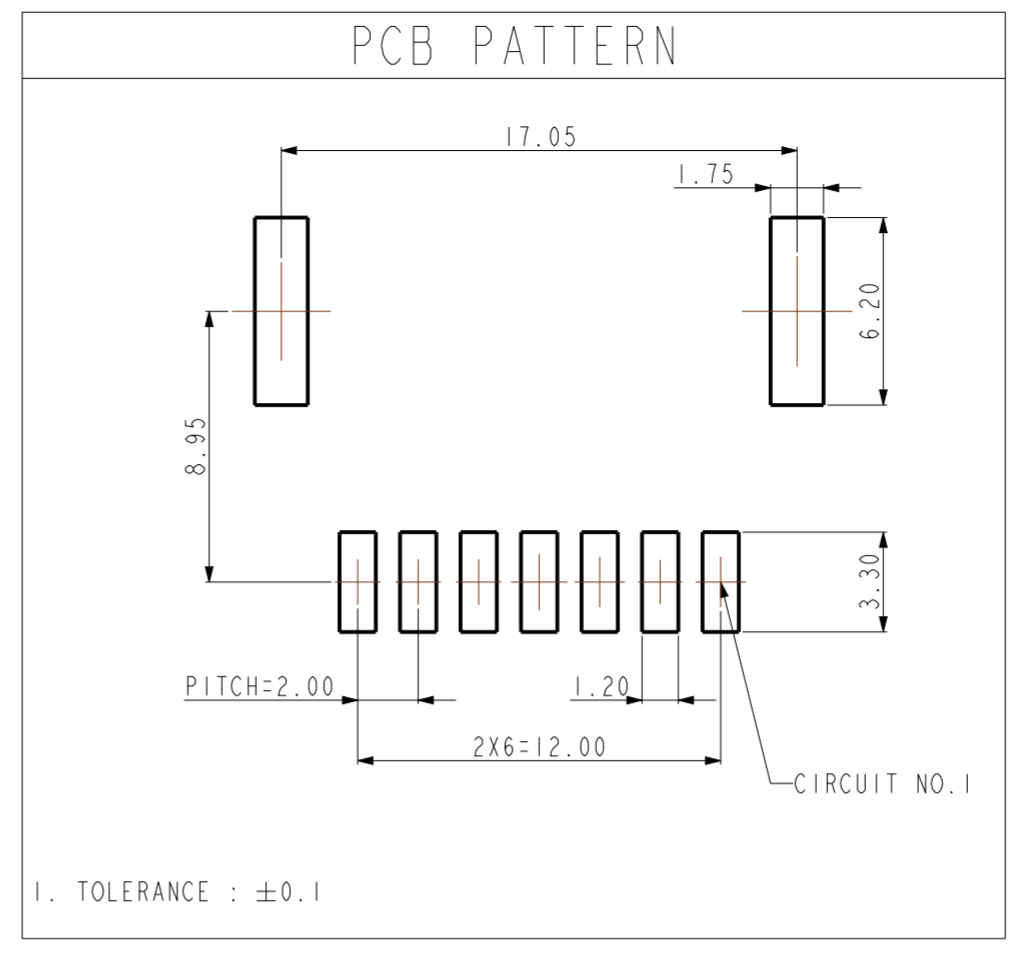
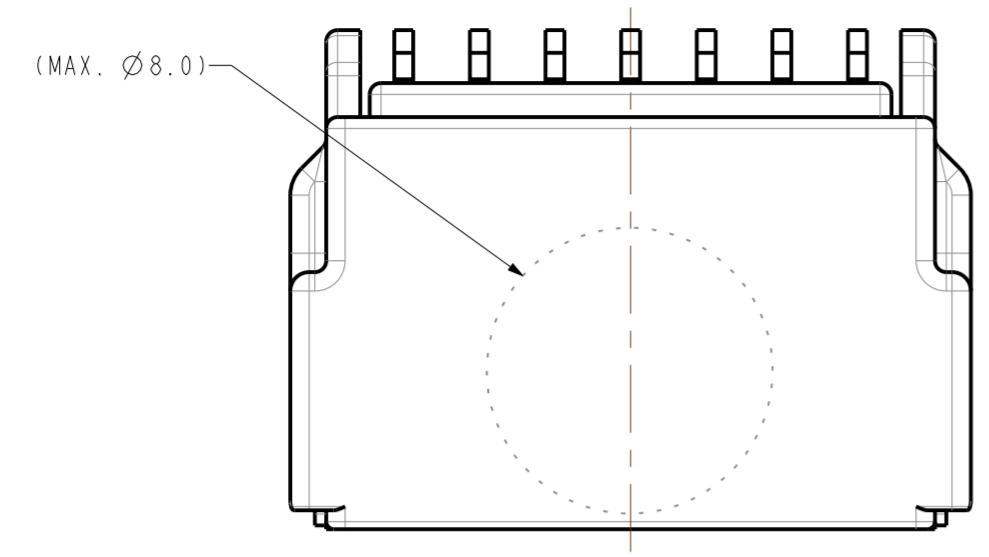
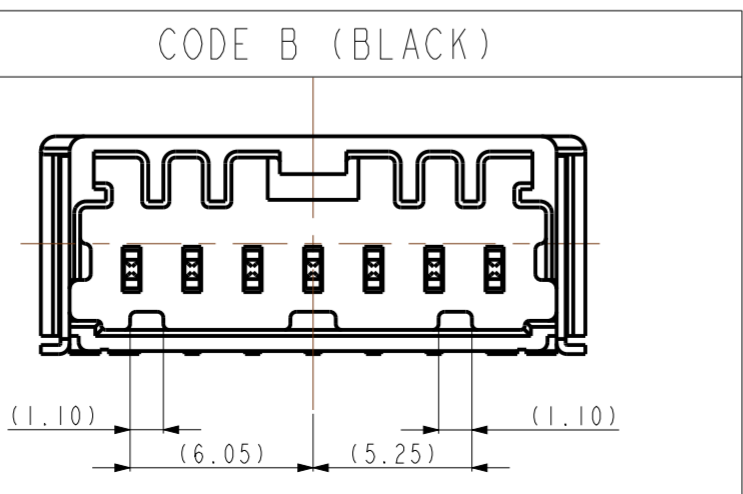
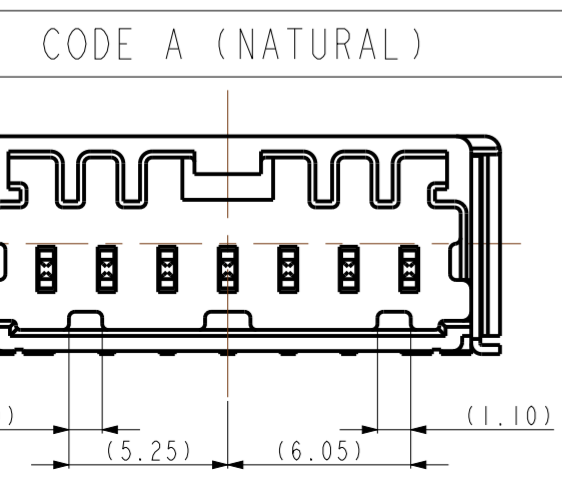
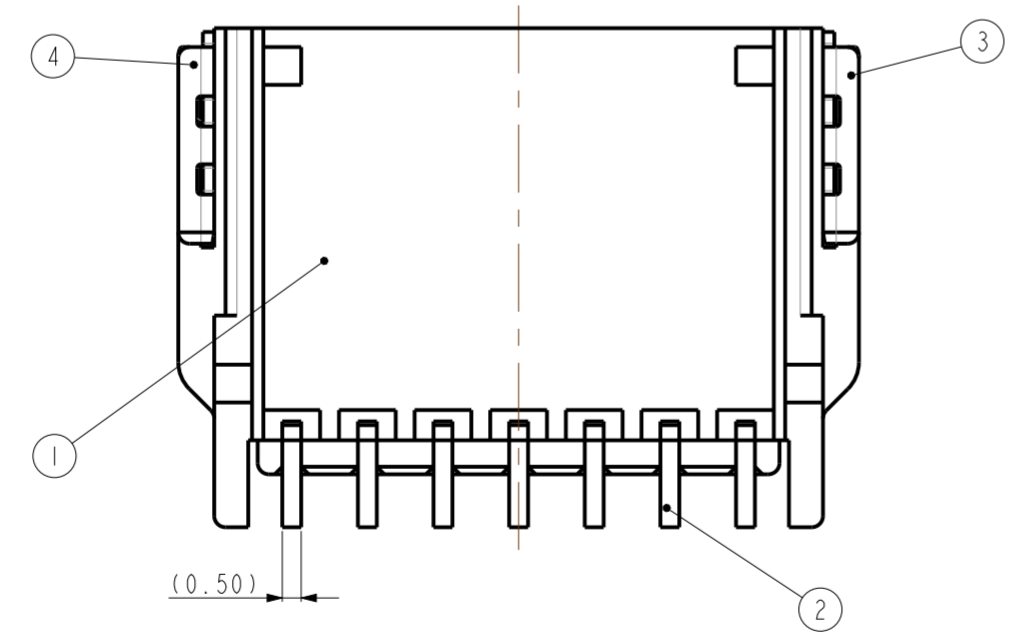
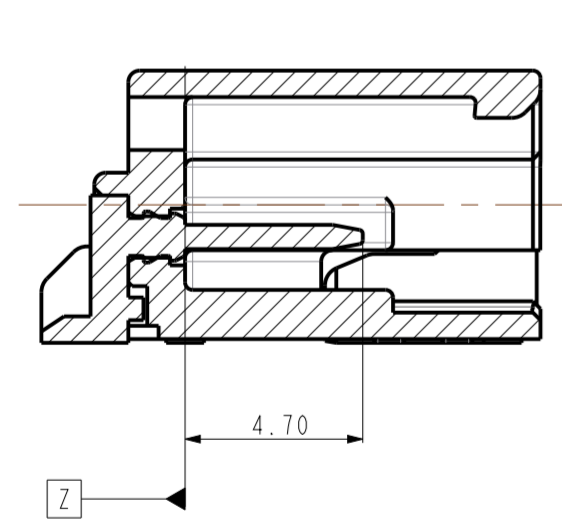


REV	REVISION RECORD	DATE	DRWN	CHKD	APVD
A	RELEASED	08.NOV'19	DR	KH	CY
B	REVISED (RD-2020-027)	27.FEB'20	DR	KH	CY
C	REVISED (RD-2020-140)	23.OCT'20	DR	KH	CY



- NOTE.
- GENERAL TOLERANCE : ±0.3, ±3.0°
 - BURR 0.3 MAX.
 - NO CRACK
 - ALL LETTERS SHALL BE CLEAR AND LEGIBLE
 - MEASURING THE DIMENSIONS OF TAB TML AND SOLDER PEG.
 - VACUM GRIP AREA FREE OF BURR AND FECTOR PINS. MAX Ø8.0mm



NO	DESCRIPTION	MATERIAL	FINISH/COLOR	Q'TY
4	020 SMT SOLDER PEG-LEFT (HZT)	BRASS	POST-TIN	1
3	020 SMT SOLDER PEG-RIGHT (HZT)	BRASS	POST-TIN	1
2	020 SMT TAB TML (HZT)	BRASS	POST-TIN	7
1	020_D-SMT_7M_H-HSG_BK	PA9T GF30	BLACK	-
1	020_D-SMT_7M_H-HSG_NR	PA9T GF30	NATURAL	-

TOLERANCES UNLESS OTHERWISE SPECIFIED	UNIT MM
0	THIRD ANGLE PROJECTION
0.0	
0.00	
0.000	
0.0000	
ANGLES	
PRODUCT SPEC	APPLICATION SPEC
-	-

DRWN	DR KOO	(주)우주 일렉트로닉스 UJU Electronics co.,Ltd.	NAME					
CHKD	KH PARK		020_D-SMT_7M_H_ASSY					
APVD	CY CHOI		CUSTOMER	DRAWING NO				
MATERIAL	SEE TABLE	DRAWING	KH1800099					
FINISH/COLOR	SEE TABLE	WEIGHT	LOC	RESTRICTED TO	SIZE	SCALE	SHEET	REV
		-	-	-	A2	5:1	1 OF 1	C