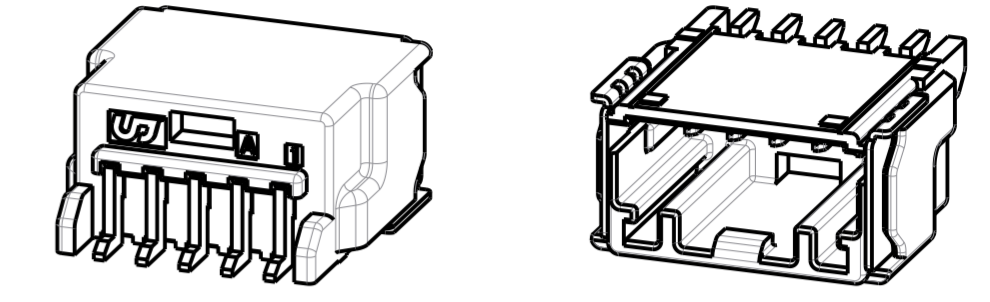
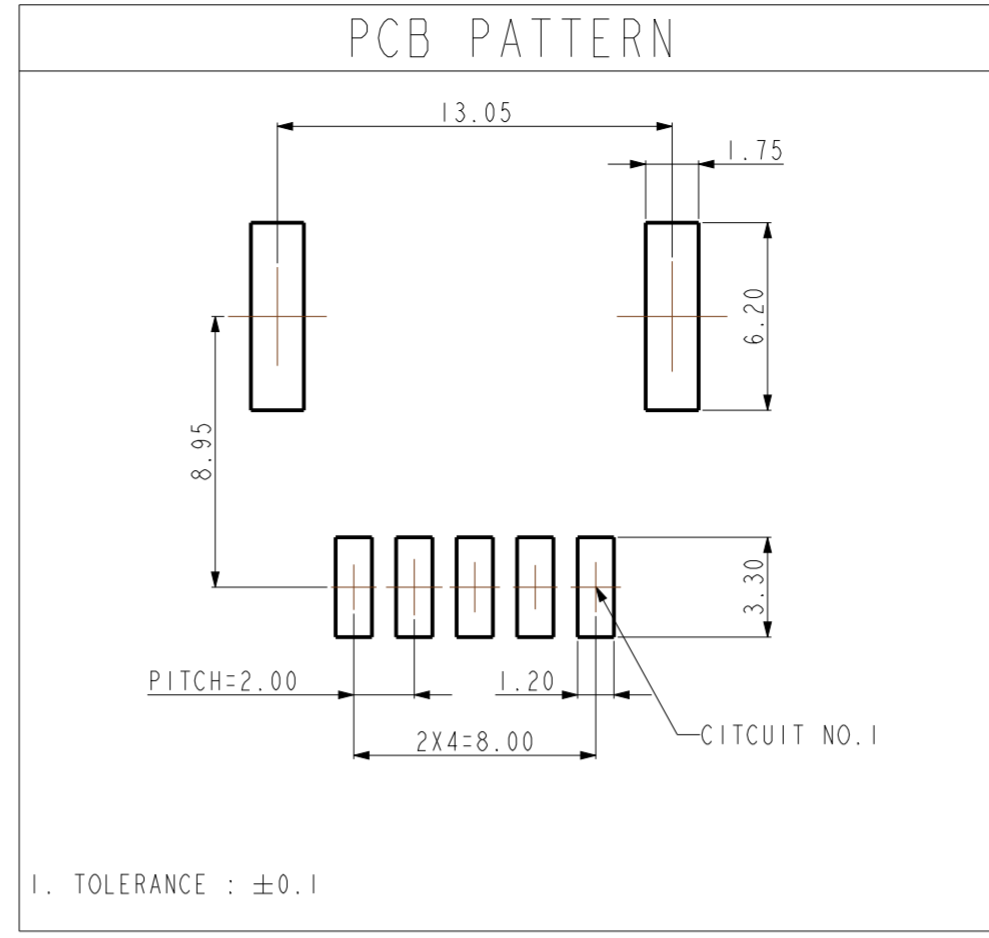
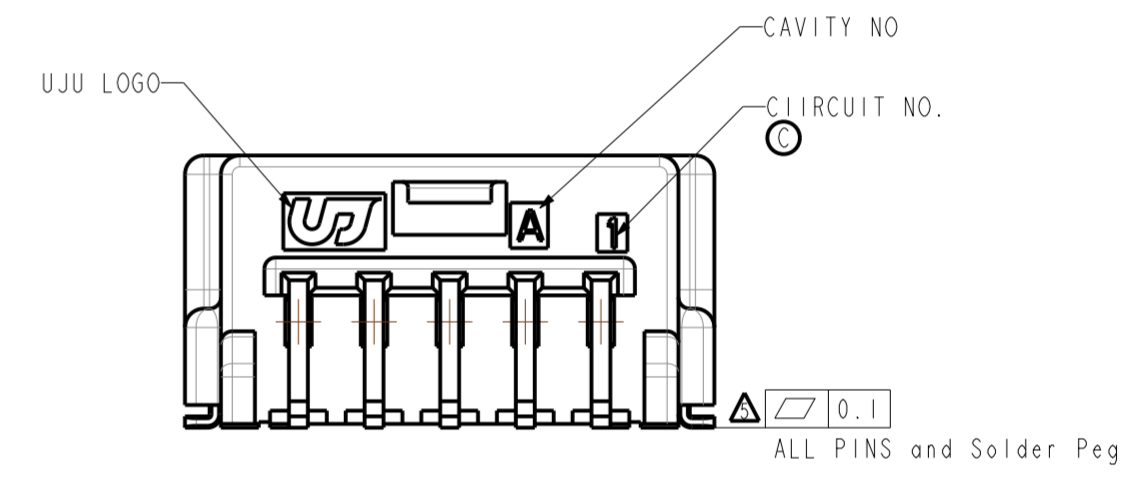
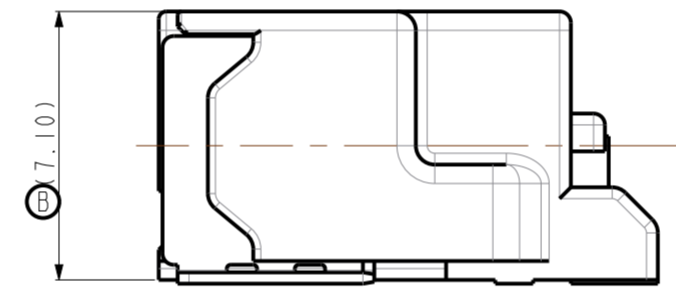
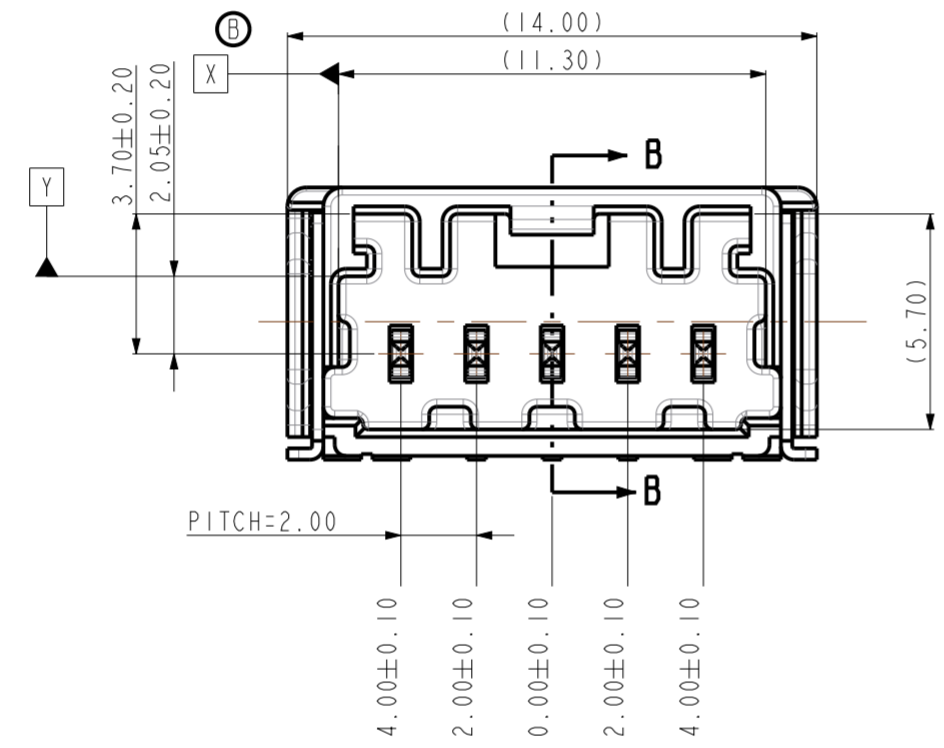
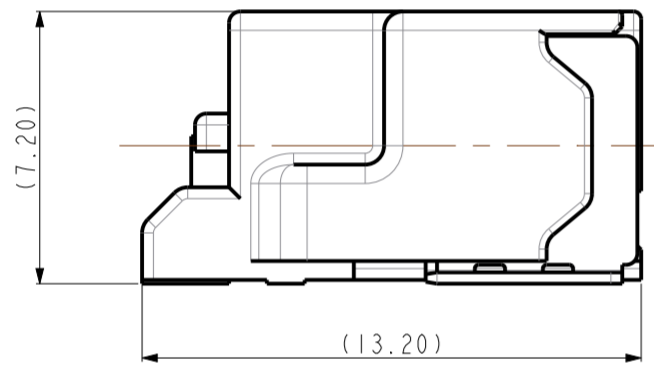
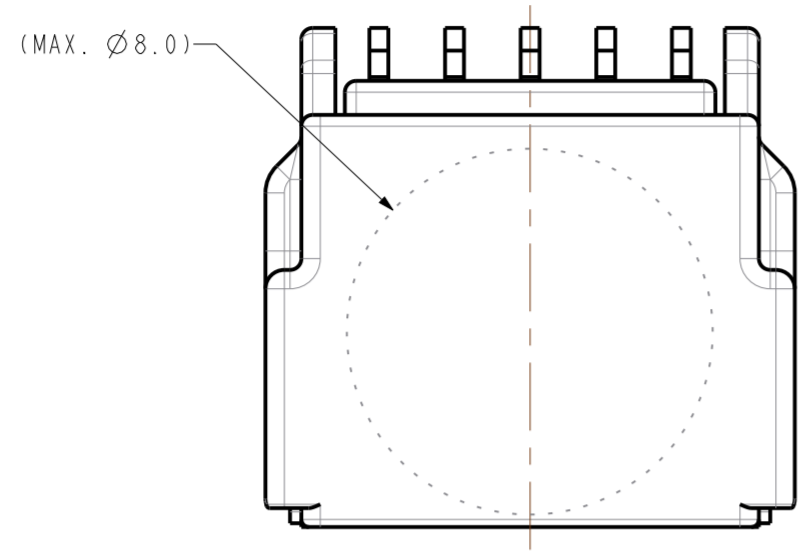


REV	REVISION RECORD	DATE	DRWN	CHKD	APVD
A	RELEASED	01.NOV'19	DR	KH	CY
B	REVISED (RD-2020-027)	27.FEB'20	DR	KH	CY
C	REVISED (RD-2020-140)	23.OCT'20	DR	KH	CY

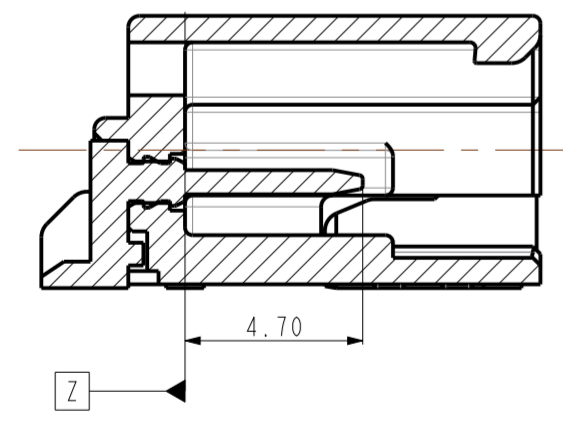


ISO VIEW

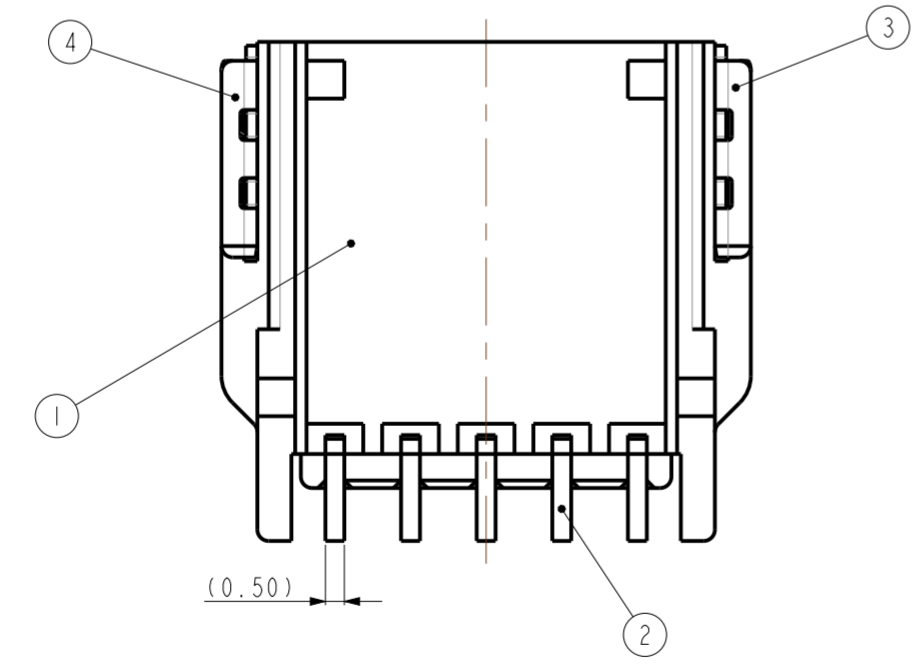


NOTE.

1. GENERAL TOLERANCE : ±0.3, ±3.0°
2. BURR 0.3 MAX.
3. NO CRACK
4. ALL LETTERS SHALL BE CLEAR AND LEGIBLE
5. MEASURING THE DIMENSIONS OF TAB TML AND SOLDER PEG.
6. VACUUM GRIP AREA FREE OF BURR AND FACTOR PINS. MAX Ø8.0mm

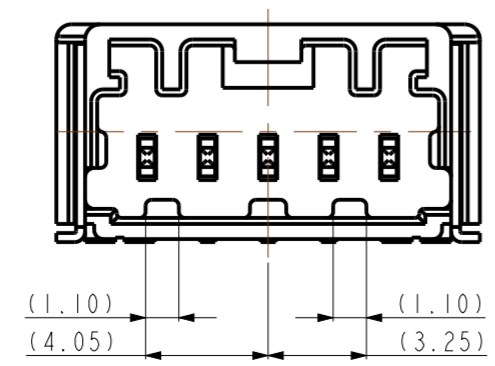
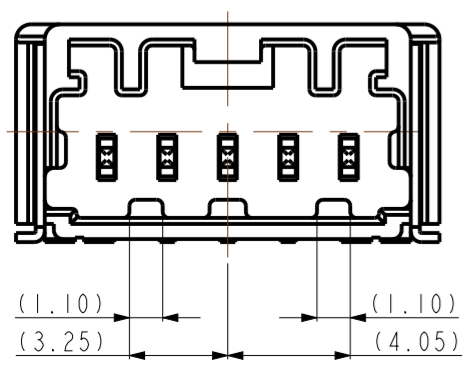


SECTION B-B



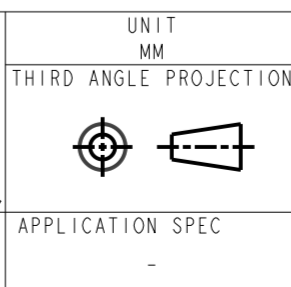
CODE A (NATURAL)

CODE B (BLACK)



NO	DESCRIPTION	MATERIAL	FINISH/COLOR	Q'TY
4	020 SMT SOLDER PEG-LEFT (H2T)	BRASS	POST-TIN	1
3	020 SMT SOLDER PEG-RIGHT (H2T)	BRASS	POST-TIN	1
2	020 SMT TAB TML (H2T)	BRASS	POST-TIN	5
1	020_D-SMT_5M_H-HSG_BK	PA9T GF30	BLACK	-
	020_D-SMT_5M_H-HSG_NR	PA9T GF30	NATURAL	-

TOLERANCES UNLESS OTHERWISE SPECIFIED	UNIT MM
0	±
0.0	±
0.00	±
0.000	±
0.0000	±
ANGLES	±
PRODUCT SPEC	APPLICATION SPEC
-	-



DRWN	DR KOO	(주)우주 일렉트로닉스 UJU Electronics co.,Ltd.
CHKD	KH PARK	
APVD	CY CHOI	
MATERIAL	SEE TABLE	NAME
FINISH/COLOR	SEE TABLE	DRAWING NO
WEIGHT	-	KHI800097
LOC	-	SIZE
RESTRICTED TO	-	SCALE
		A2
		5:1
		SHEET
		1 OF 1
		REV
		C