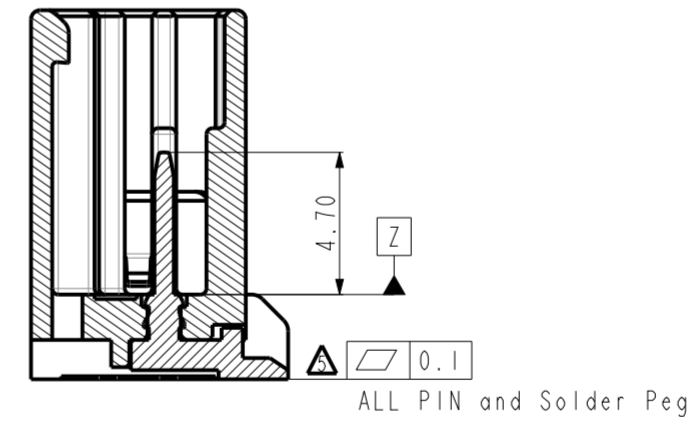
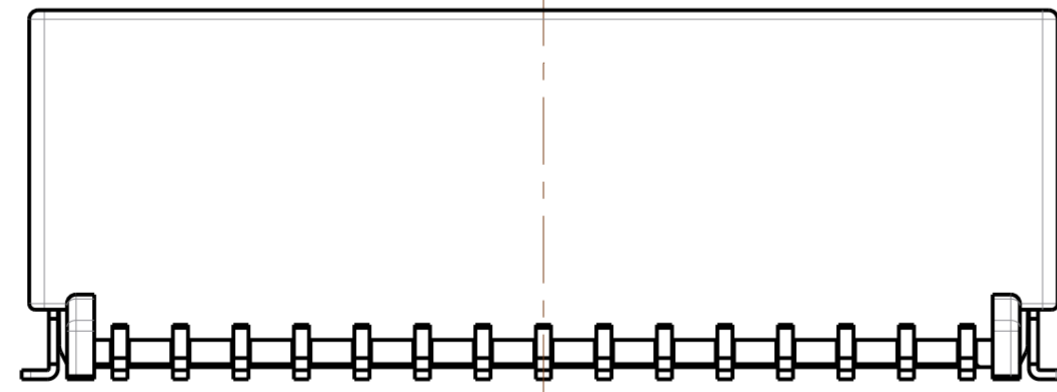
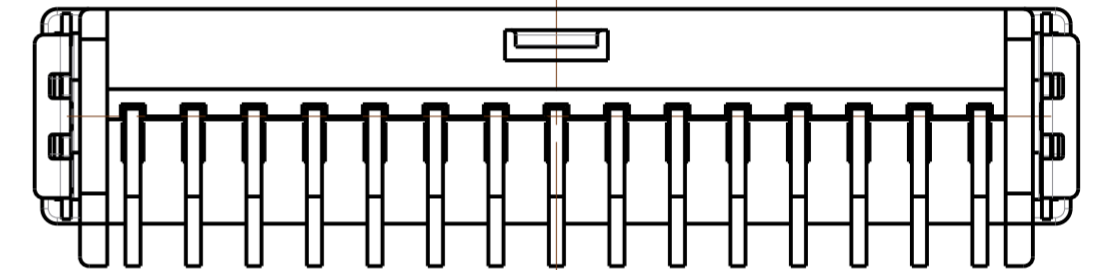
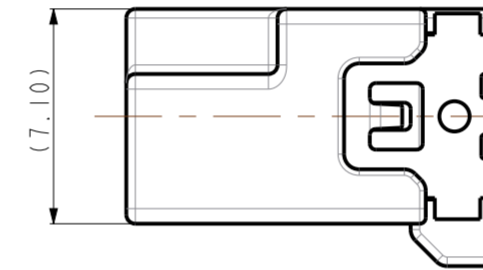
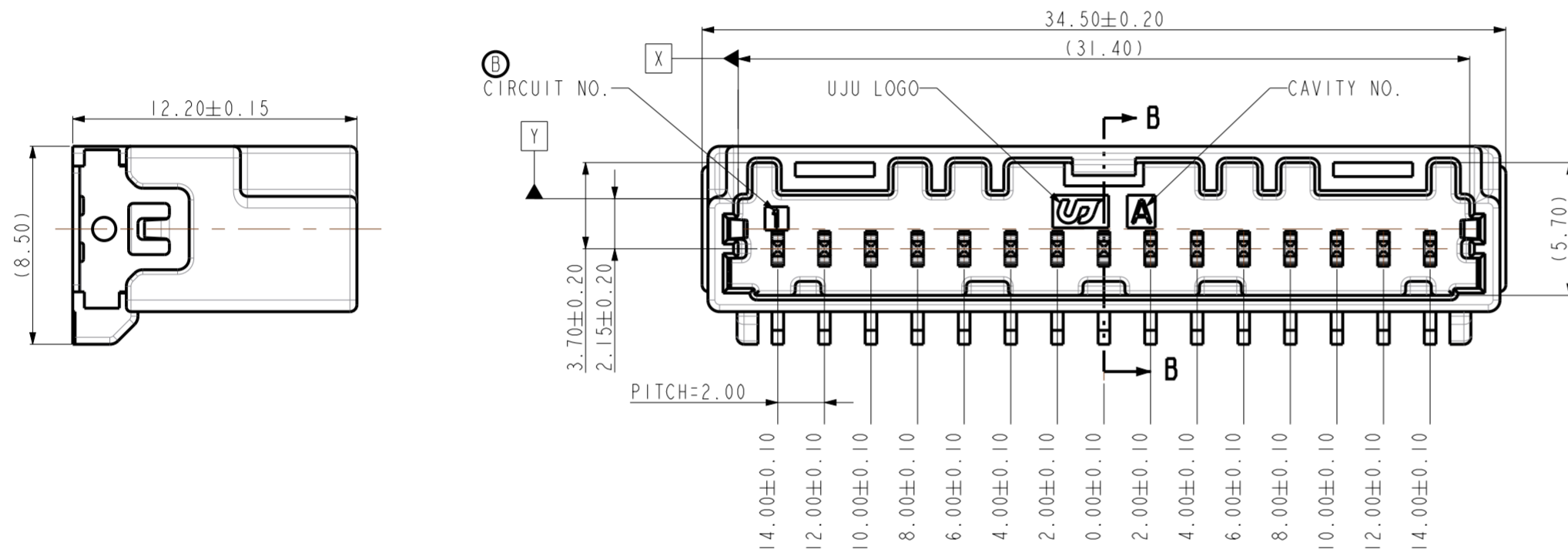
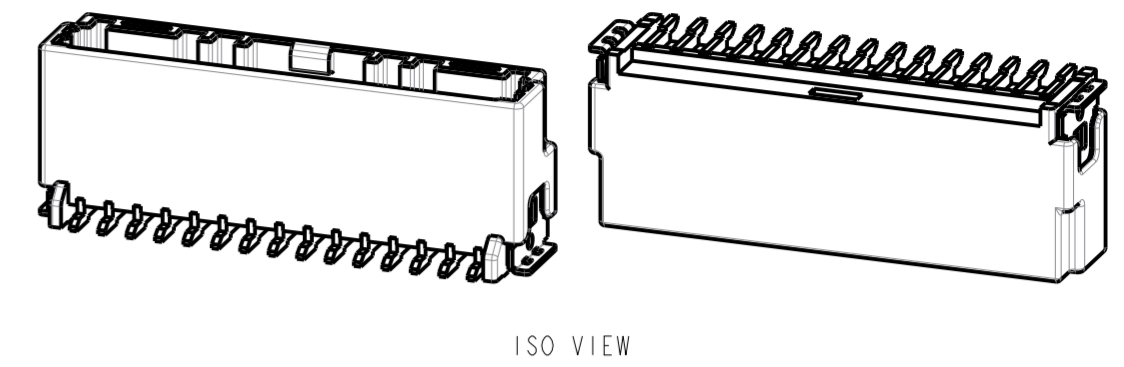


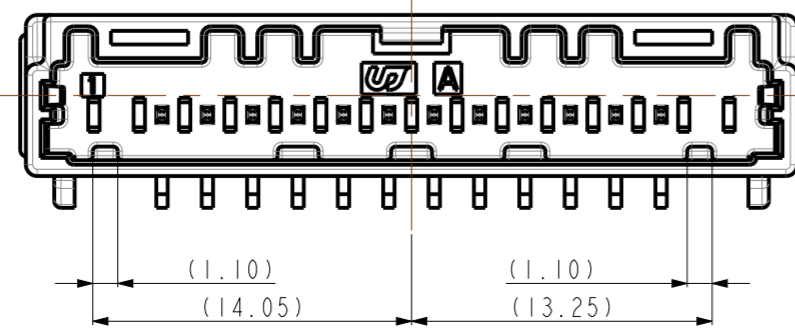
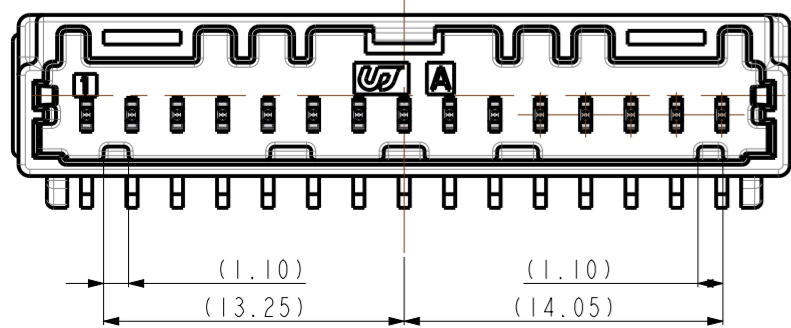
REV	REVISION RECORD	DATE	DRWN	CHKD	APVD
A	RELEASED	10. JUN '20	DR	KH	CY
B	REVISED (RD-2020-140)	23. OCT '20	DR	KH	CY



- NOTE.
1. GENERAL TOLERANCE :  $\pm 0.3$ ,  $\pm 3.0^\circ$
  2. BURR 0.3 MAX.
  3. NO CRACK
  4. ALL LETTERS SHALL BE CLEAR AND LEGIBLE
  5.  $\Delta$  MEASURING THE DIMENSIONS OF TAB TML AND SOLDER PEG.
  6. VACUM GRIP AREA FREE OF BURR AND FECTOR PINS. MAX  $\varnothing 4.0$ mm

CODE A (NATURAL)

CODE B (BLACK)



NO	DESCRIPTION	MATERIAL	FINISH/COLOR	Q'TY
5	020_D_COVER_HSG_BK	LCP	BLACK	1
4	020_SMT_SOLDER_PEG-LEFT (VTC)	BRASS	POST-TIN	1
3	020_SMT_SOLDER_PEG-RIGHT (VTC)	BRASS	POST-TIN	1
2	020_SMT_TAB_TML (VTC)	BRASS	POST-TIN	15
1	020_D_SMT_15M_V_HSG_BK	PA9T GF30	BLACK	1
	020_D_SMT_15M_V_HSG_NR	PA9T GF30	NATURAL	1

DRWN	DR KOO	(주)우주 일렉트로닉스 UJU Electronics co.,Ltd.			
CHKD	KH PARK				
APVD	CY CHOI	NAME		020_D_SMT_15M_V_ASSY	
MATERIAL	SEE TABLE	CUSTOMER		DRAWING NO	
FINISH/COLOR	SEE TABLE	DRAWING		KH1800095	
WEIGHT	-	LOC	RESTRICTED TO	SIZE	SCALE
PRODUCT SPEC	-	-	-	A2	4:1
APPLICATION SPEC	-	SHEET	1 OF 1		REV
					B

020\_D\_SMT\_15M\_V\_ASSY\_BK B KH1800095-21 B  
 020\_D\_SMT\_15M\_V\_ASSY\_NR A KH1800095-10 B  
 ASSY DESCRIPTION CODE ASS'Y PART NO. REV.