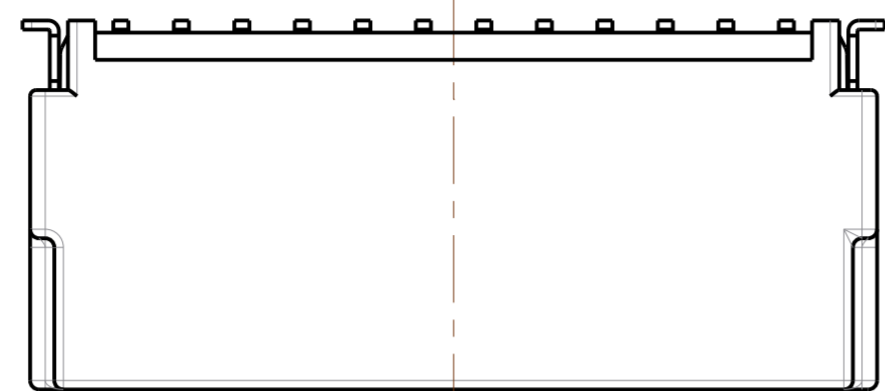
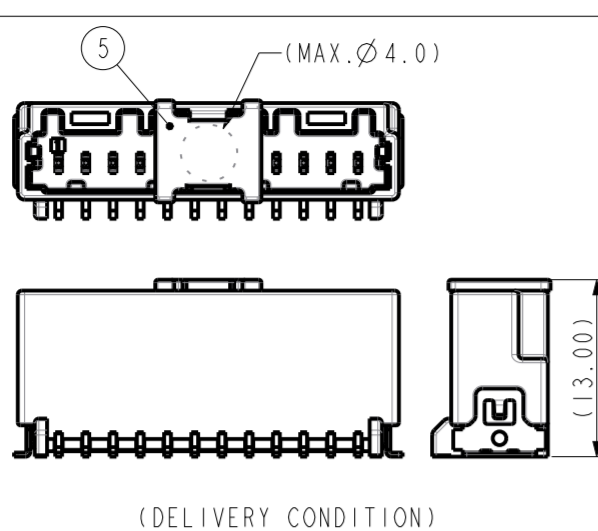
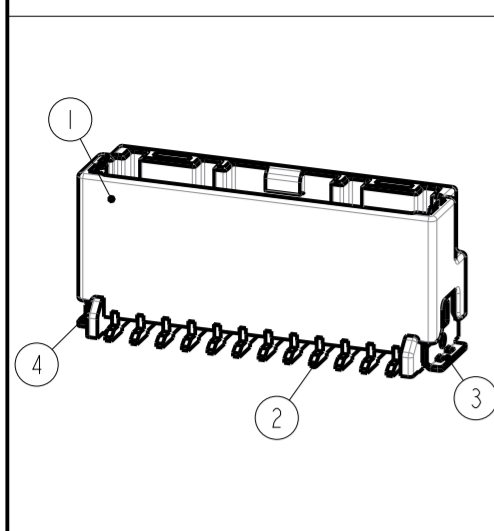
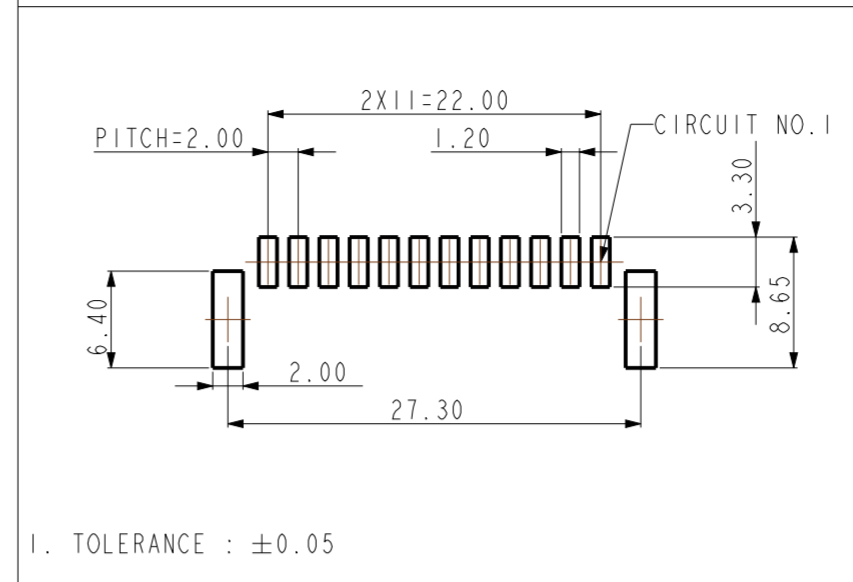


ASSEMBLY WITHOUT COVER

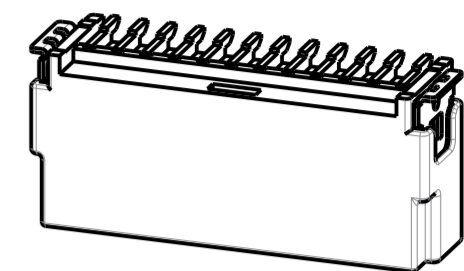
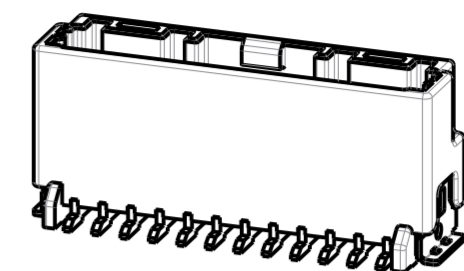
ASSEMBLY WITH COVER



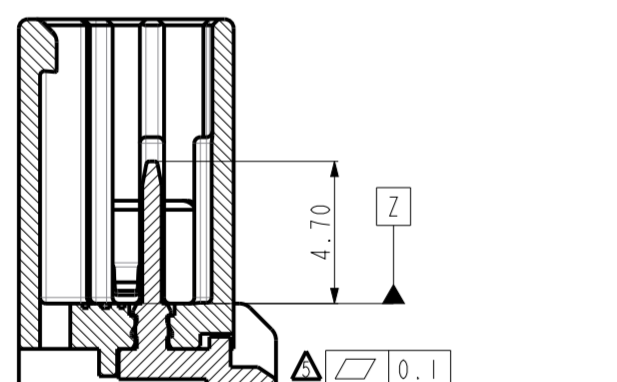
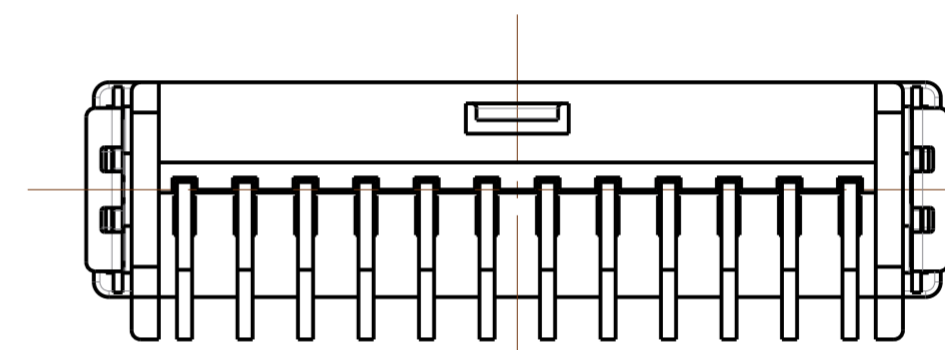
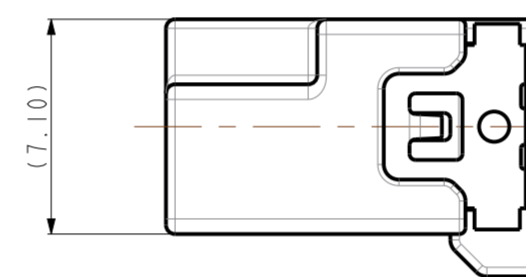
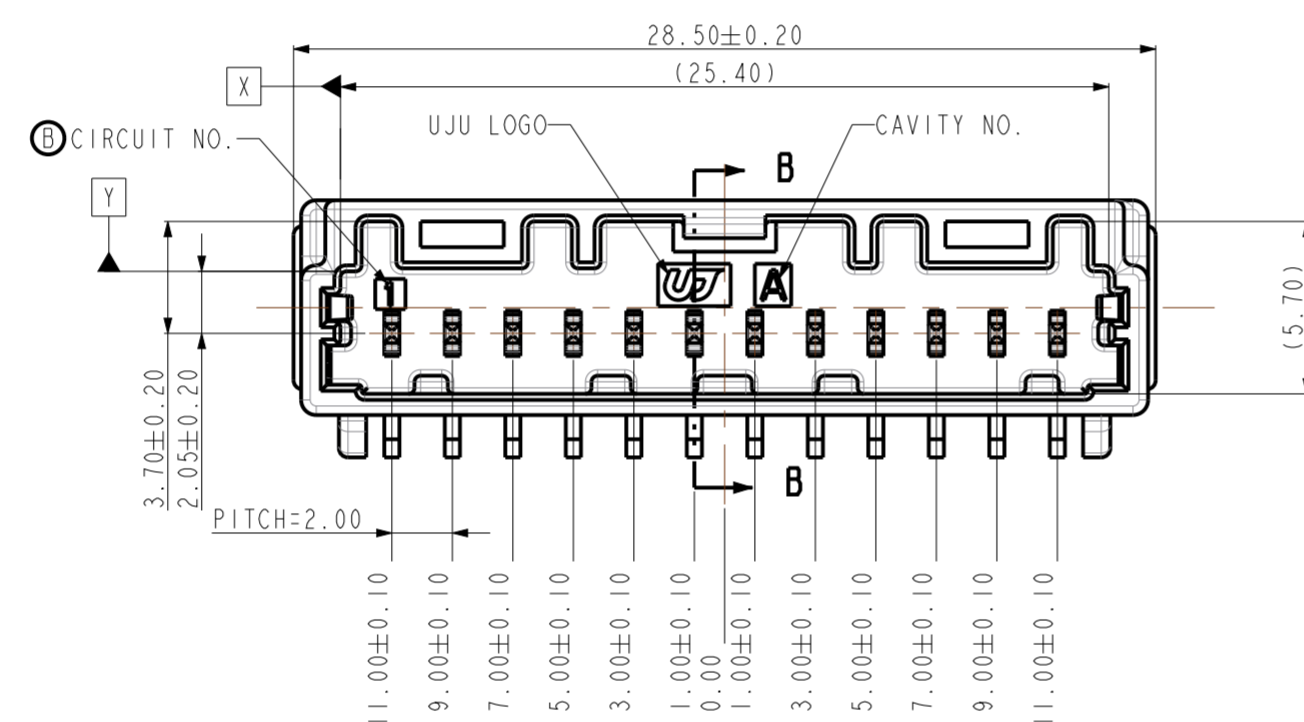
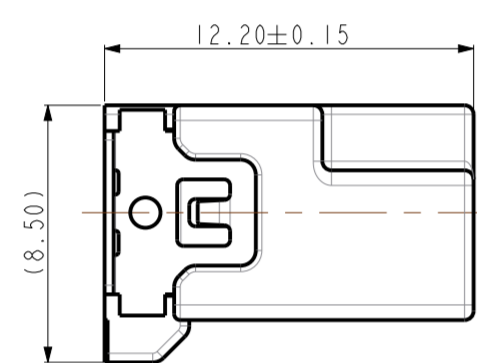
PCB PATTERN



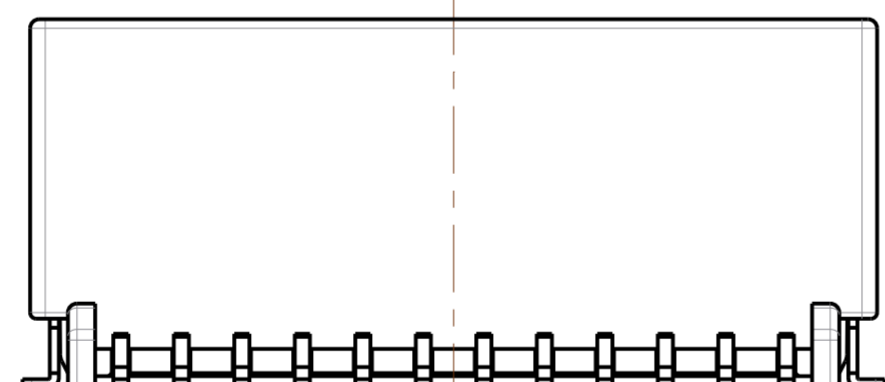
REV	REVISION RECORD	DATE	DRWN	CHKD	APVD
A	RELEASED	10. JUN '20	DR	KH	CY
B	REVISED (RD-2020-140)	23. OCT '20	DR	KH	CY



ISO VIEW



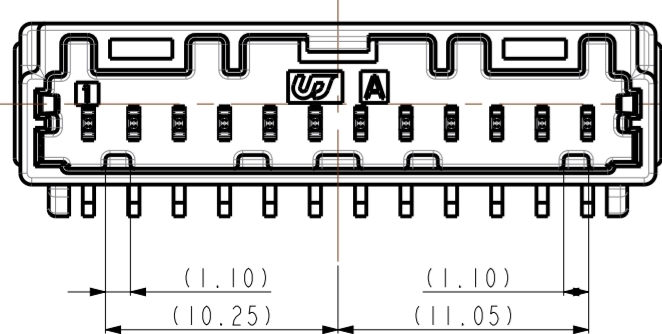
SECTION B-B



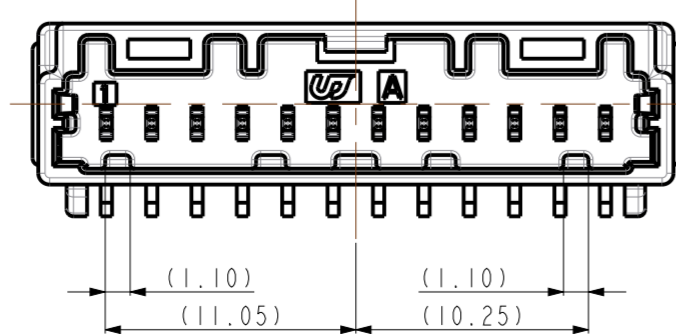
NOTE.

1. GENERAL TOLERANCE : ±0.3, ±3.0°
2. BURR 0.3 MAX.
3. NO CRACK
4. ALL LETTERS SHALL BE CLEAR AND LEGIBLE
5. MEASURING THE DIMENSIONS OF TAB TML AND SOLDER PEG.
6. VACUM GRIP AREA FREE OF BURR AND FECTOR PINS. MAXØ 4.0mm

CODE A (NATURAL)



CODE B (BLACK)



NO	DESCRIPTION	MATERIAL	FINISH/COLOR	Q'TY
5	020_D_COVER_HSG_BK	LCP	BLACK	1
4	020_SMT_SOLDER_PEG-LEFT (VTC)	BRASS	POST-TIN	1
3	020_SMT_SOLDER_PEG-RIGHT (VTC)	BRASS	POST-TIN	1
2	020_SMT_TAB_TML (VTC)	BRASS	POST-TIN	12
1	020_D_SMT_12M_V_HSG_BK	PA9T GF30	BLACK	1
	020_D_SMT_12M_V_HSG_NR	PA9T GF30	NATURAL	1

DRWN	DR KOO	 (주)우주 일렉트로닉스 UJU Electronics co.,Ltd.	NAME			
CHKD	KH PARK		020_D_SMT_12M_V_ASSY			
APVD	CY CHOI		DRAWING NO. KH1800093			
MATERIAL	SEE TABLE	CUSTOMER	DRAWING			
FINISH/COLOR	SEE TABLE	RESTRICTED TO	SIZE	SCALE	SHEET	REV
WEIGHT	-	LOC	-	A2	4:1	1 OF 1
PRODUCT SPEC	-	APPLICATION SPEC	-	-	-	B

ASSY DESCRIPTION	CODE	ASS'Y PART NO.	REV.
020_D_SMT_12M_V_ASSY_BK	B	KH1800093-21	B
020_D_SMT_12M_V_ASSY_NR	A	KH1800093-10	B