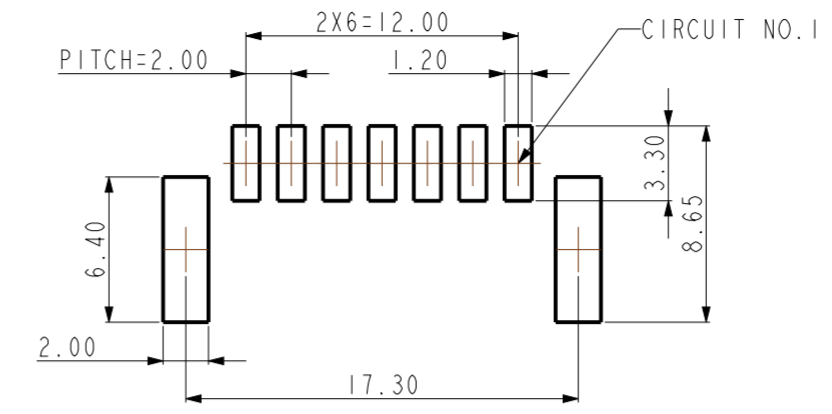
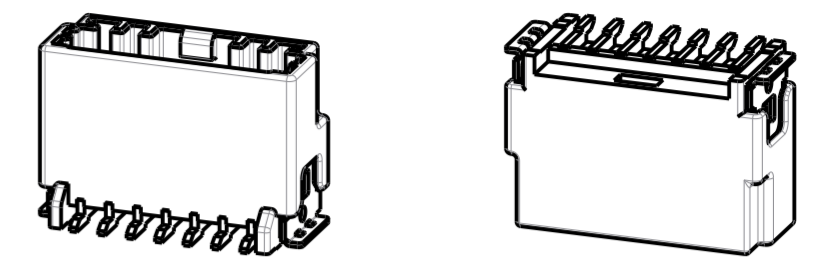


PCB PATTERN

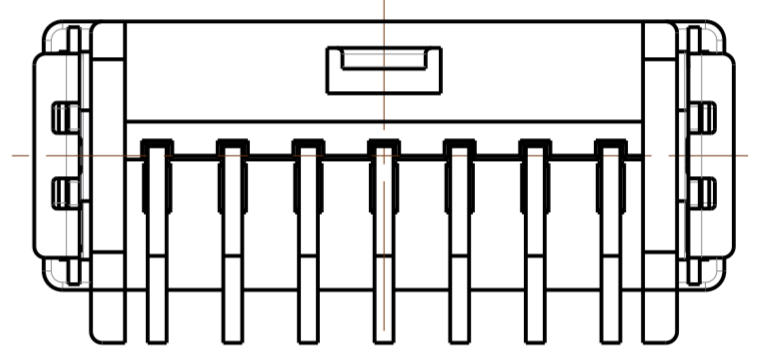
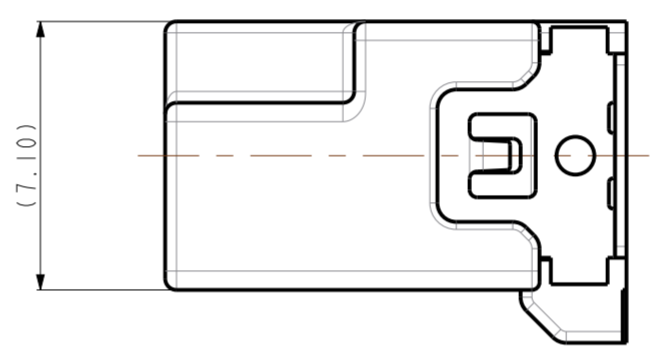
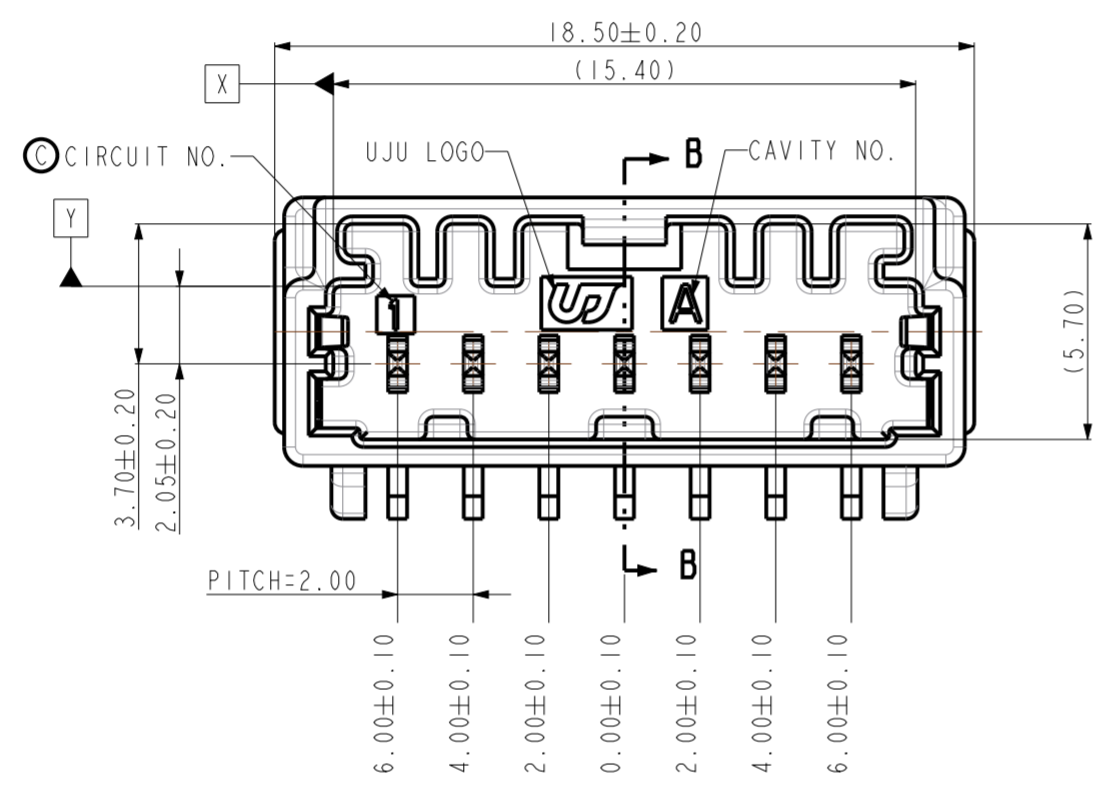
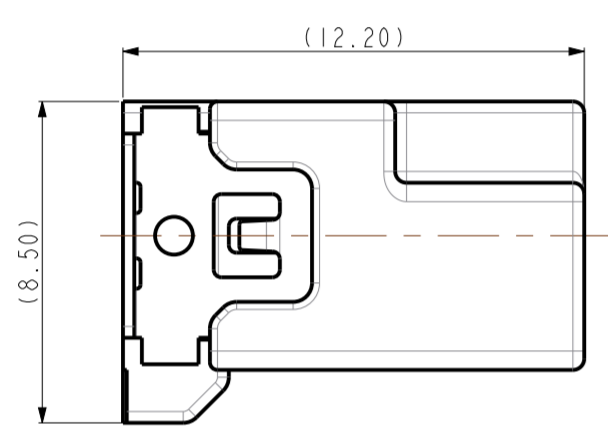


1. TOLERANCE : ±0.05

REV	REVISION RECORD	DATE	DRWN	CHKD	APVD
A	RELEASED	08.NOV'19	DR	KH	CY
B	REVISED (RD-2020-024)	25.FEB'20	DR	KH	CY
C	REVISED (RD-2020-140)	23.OCT'20	DR	KH	CY

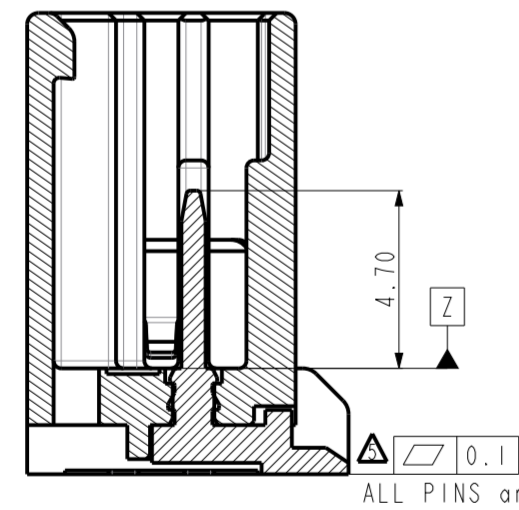


ISO VIEW

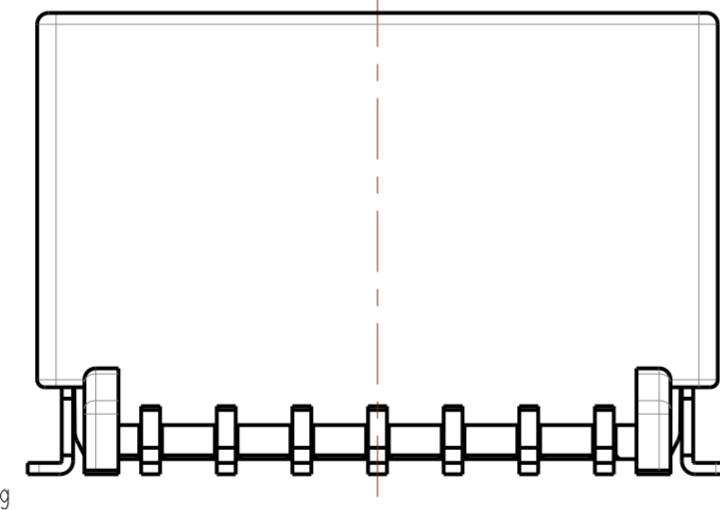


NOTE.

1. GENERAL TOLERANCE : ±0.3, ±3.0°
2. BURR 0.3 MAX.
3. NO CRACK
4. ALL LETTERS SHALL BE CLEAR AND LEGIBLE
5. MEASURING THE DIMENSIONS OF TAB TML AND SOLDER PEG.
6. VACUM GRIP AREA FREE OF BURR AND FECTOR PINS. MAX∅4.0mm

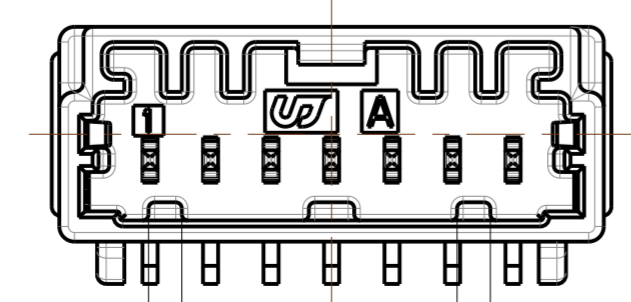
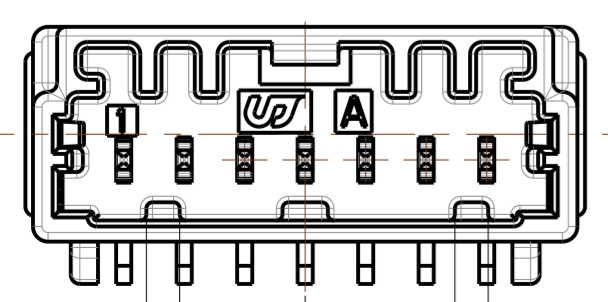


SECTION B-B



CODE A (NATURAL)

CODE B (BLACK)



D

C

B

A

NO	DESCRIPTION	CODE	MATERIAL	FINISH/COLOR	Q'TY
5	020_D_COVER_HSG	-	LCP	BLACK	1
4	020_SMT_SOLDER_PEG-LEFT (HZT)	-	BRASS	POST-TIN	1
3	020_SMT_SOLDER_PEG-RIGHT (HZT)	-	BRASS	POST-TIN	1
2	020_SMT_TAB_TML (HZT)	-	BRASS	POST-TIN	7
1	020_D_SMT_7M_V_HSG_BK	B	PA9T GF30	BLACK	1
	020_D_SMT_7M_V_HSG_NR	A	PA9T GF30	NATURAL	1

DRWN	DR KOO	(주)우주 일렉트로닉스 UJU Electronics co.,Ltd.	NAME			
CHKD	KH PARK		020_D_SMT_7M_V_ASSY			
APVD	CY CHOI		DRAWING NO. KH1800089			
MATERIAL	SEE TABLE	CUSTOMER	DRAWING			
FINISH/COLOR	SEE TABLE	LOC	RESTRICTED TO	SIZE	SCALE	
WEIGHT	-	-	-	A2	5:1	
PRODUCT SPEC	-	-	-	SHEET	1 OF 1	
APPLICATION SPEC	-	-	-	REV	C	

CODE	ASSY DESCRIPTION	ASSY PART NO.	REV.
B	020_D_SMT_7M_V_ASSY_BK	KH1800089-21	C
A	020_D_SMT_7M_V_ASSY_NR	KH1800089-10	C