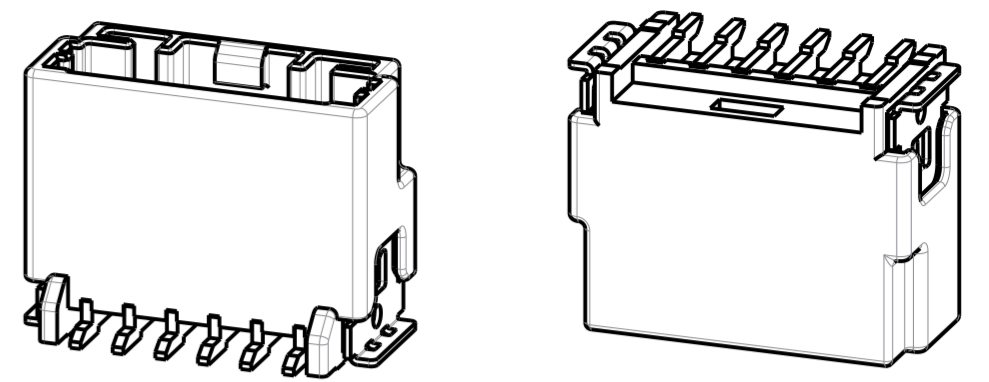
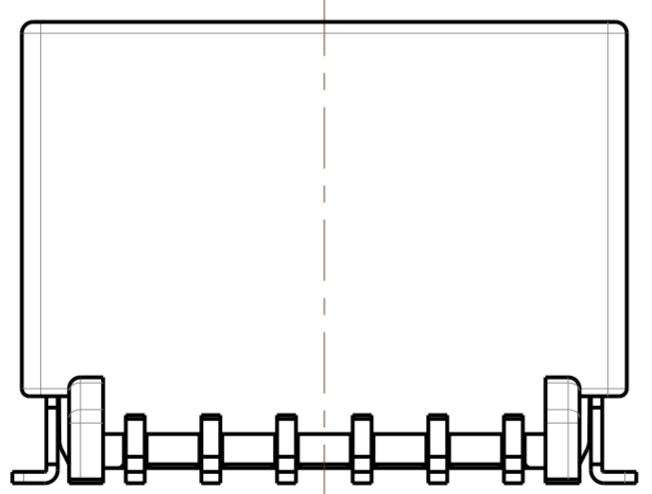
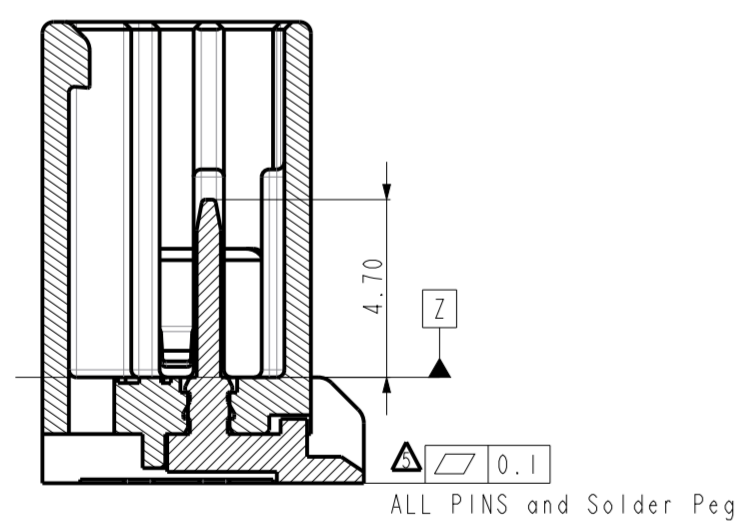
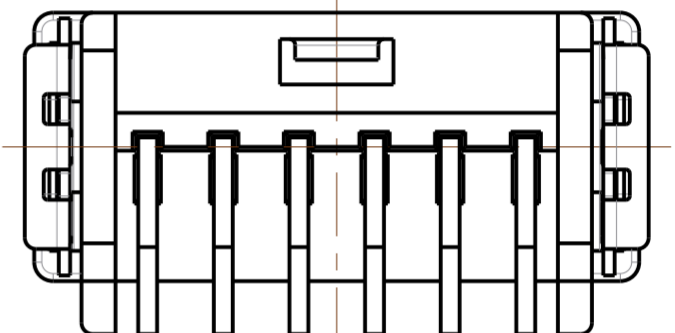
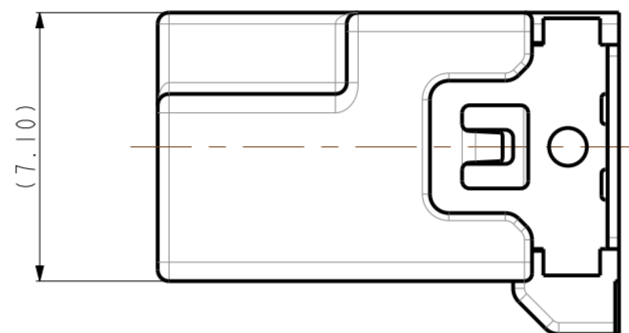
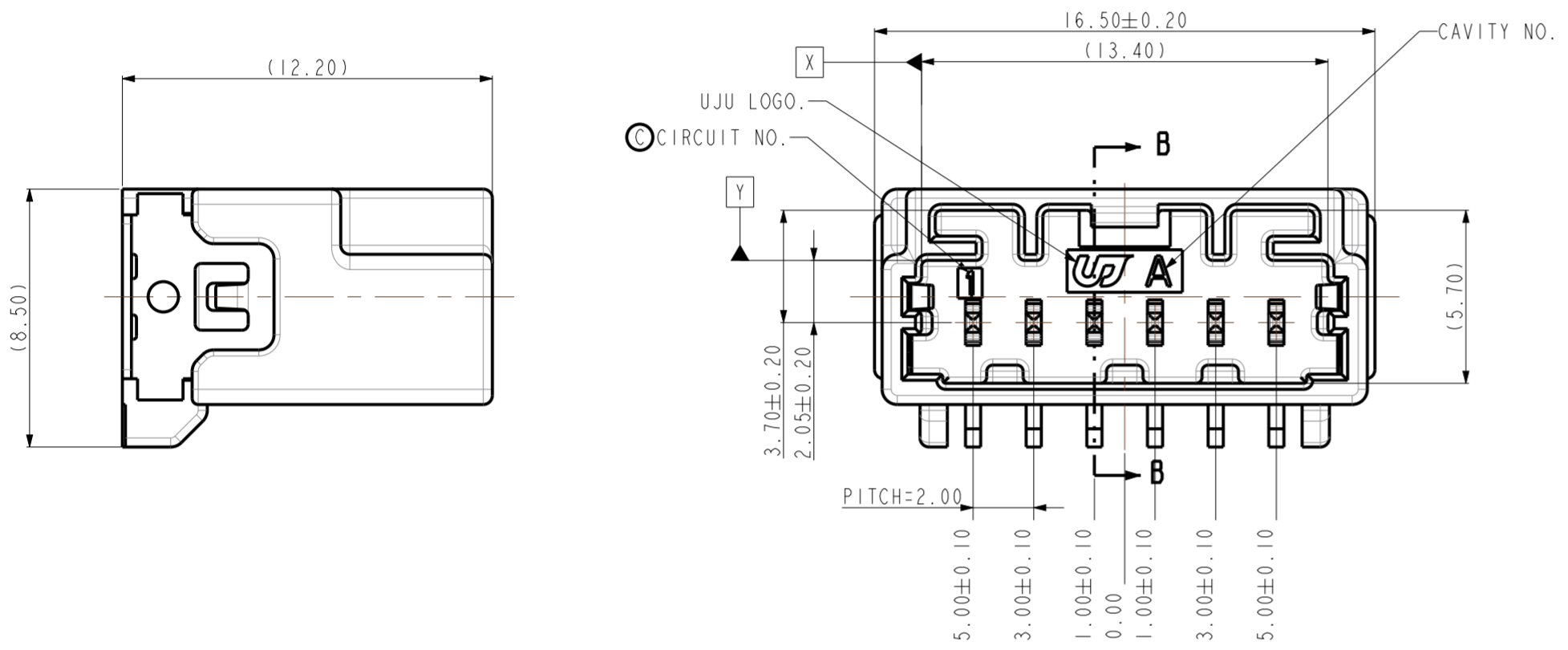


REV	REVISION RECORD	DATE	DRWN	CHKD	APVD
A	RELEASED	08.NOV.19	DR	KH	CY
B	REVISED (RD-2020-024)	25.FEB'20	DR	KH	CY
C	REVISED (RD-2020-140)	23.OCT'20	DR	KH	CY



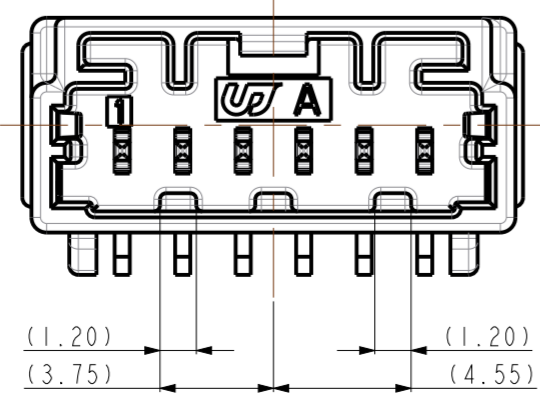
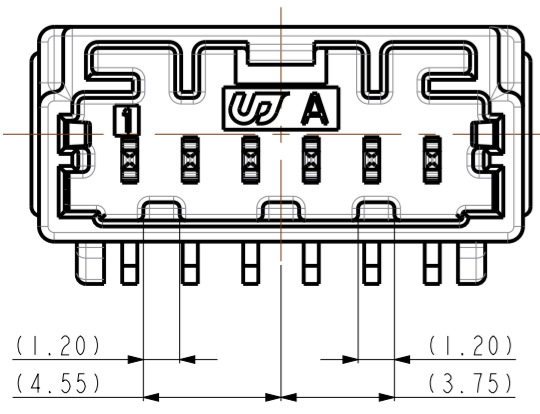
ISO VIEW



- NOTE.
1. GENERAL TOLERANCE : $\pm 0.3, \pm 3.0^\circ$
 2. BURR 0.3 MAX.
 3. NO CRACK
 4. ALL LETTERS SHALL BE CLEAR AND LEGIBLE
 5. \triangle MEASURING THE DIMENSIONS OF TAB TML AND SOLDER PEG.
 6. VACUM GRIP AREA FREE OF BURR AND FECTOR PINS. $\text{MAX}\phi 4.0\text{mm}$

CODE A (NATURAL)

CODE B (BLACK)



NO	DESCRIPTION	MATERIAL	FINISH/COLOR	Q'TY
5	020_D_COVER_HSG_BK	LCP	BLACK	1
4	020 SMT SOLDER PEG-LEFT (VTC)	BRASS	POST-TIN	1
3	020 SMT SOLDER PEG-RIGHT (VTC)	BRASS	POST-TIN	1
2	020 SMT TAB TML (VTC)	BRASS	POST-TIN	6
1	020_D_SMT_6M_V_HSG_BK	PA9T GF30	BLACK	1
1	020_D_SMT_6M_V_HSG_NR	PA9T GF30	NATURAL	1

TOLERANCES UNLESS OTHERWISE SPECIFIED	UNIT MM
0	±
0.0	±
0.00	±
0.000	±
0.0000	±
ANGLES	±
PRODUCT SPEC	APPLICATION SPEC
-	-

DRWN	DR KOO
CHKD	KH PARK
APVD	CY CHOI
MATERIAL	SEE TABLE
FINISH/COLOR	SEE TABLE
WEIGHT	-

(주)우주 일렉트로닉스 UJU Electronics co.,Ltd.	
NAME	
020_D_SMT_6M_V_ASSY	
CUSTOMER	DRAWING NO
	KH1800087
LOC	RESTRICTED TO
-	-
SIZE	SCALE
A2	5:1
SHEET	REV
1 OF 1	C