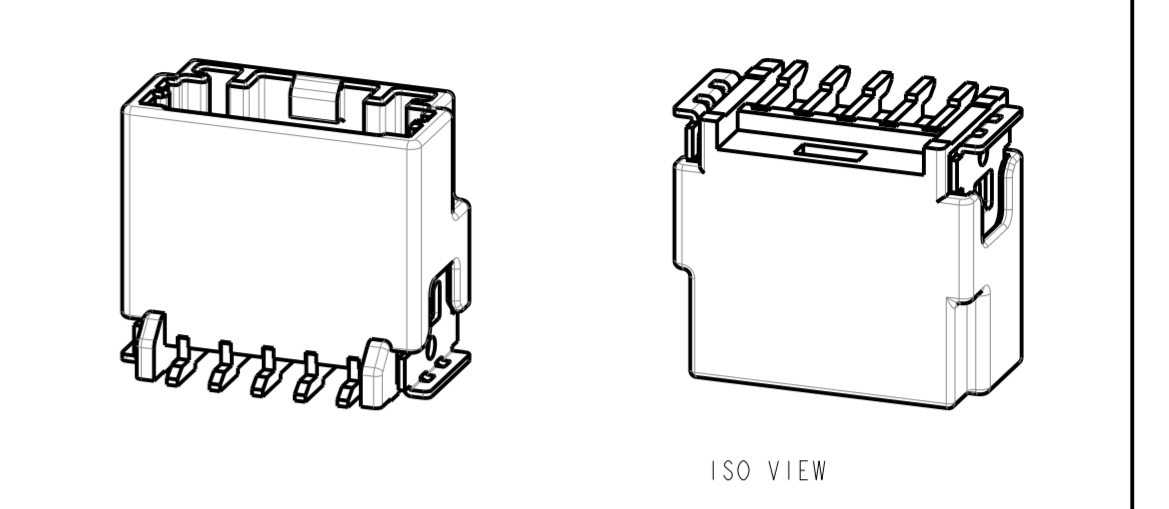


REV	REVISION RECORD	DATE	DRWN	CHKD	APVD
A	RELEASED	01.NOV'19	DR	KH	CY
B	REVISED (RD-2020-024)	25.FEB'20	DR	KH	CY
C	REVISED (RD-2020-140)	23.OCT'20	DR	KH	CY



- NOTE.
1. GENERAL TOLERANCE : ±0.3, ±3.0°
 2. BURR 0.3 MAX.
 3. NO CRACK
 4. ALL LETTERS SHALL BE CLEAR AND LEGIBLE
 5. MEASURING THE DIMENSIONS OF TAB TML AND SOLDER PEG.
 6. VACUM GRIP AREA FREE OF BURR AND FECTOR PINS. MAXØ4.0mm

NO	DESCRIPTION	MATERIAL	FINISH/COLOR	Q'TY
5	020_D_COVER_HSG_BK	LCP	BLACK	1
4	020 SMT SOLDER PEG-LEFT (VTC)	BRASS	POST-TIN	1
3	020 SMT SOLDER PEG-RIGHT (VTC)	BRASS	POST-TIN	1
2	020 SMT TAB TML (VTC)	BRASS	POST-TIN	5
1	020_D_SMT_5M_V_HSG_BK	PA9T GF30	BLACK	1
	020_D_SMT_5M_V_HSG_NR	PA9T GF30	NATURAL	1

DRWN	DR KOO	(주)우주 일렉트로닉스 UJU Electronics co.,Ltd.	NAME			
CHKD	KH PARK		020_D_SMT_5M_V_ASSY			
APVD	CY CHOI		DRAWING NO			
MATERIAL		CUSTOMER		DRAWING NO		
FINISH/COLOR		DRAWING		KH1800085		
WEIGHT		LOC	RESTRICTED TO	SIZE	SCALE	
-		-	-	A2	5:1	
SHEET		REV		C		
1 OF 1		-		-		