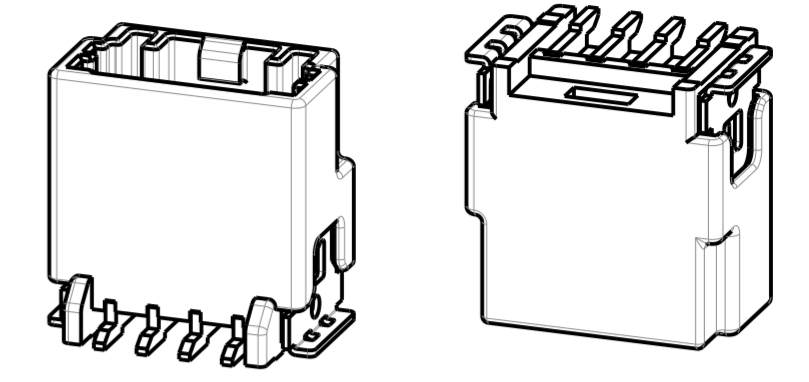
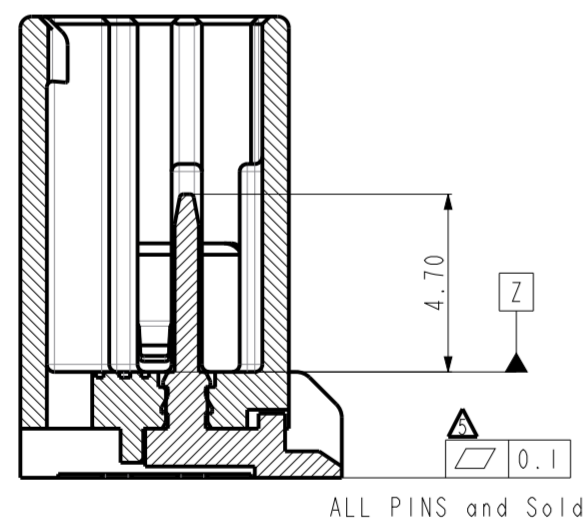
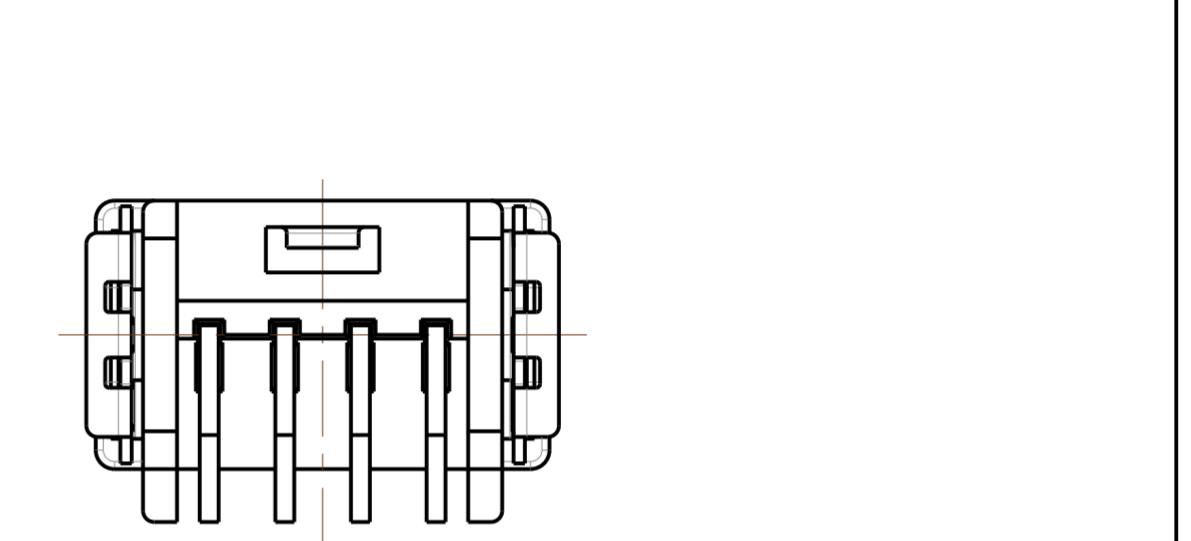
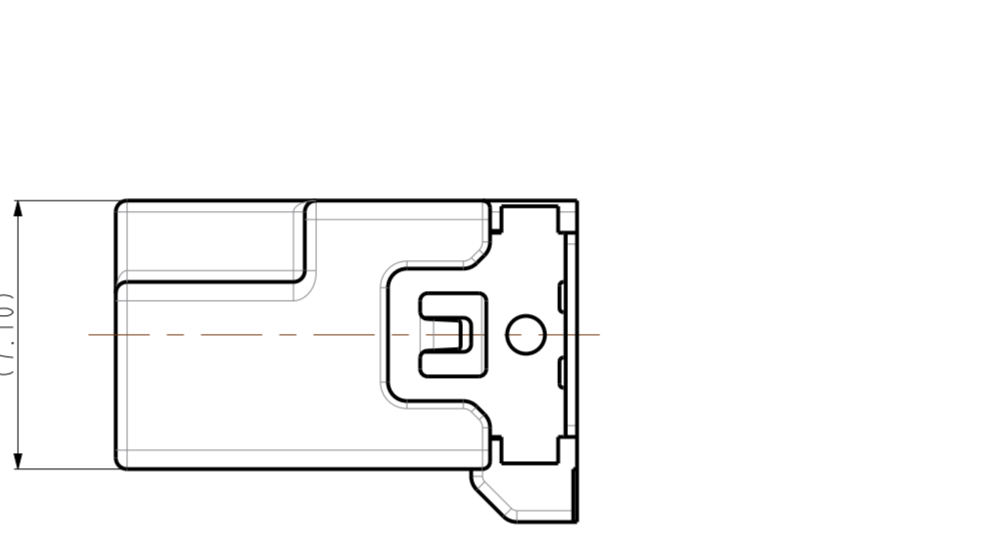
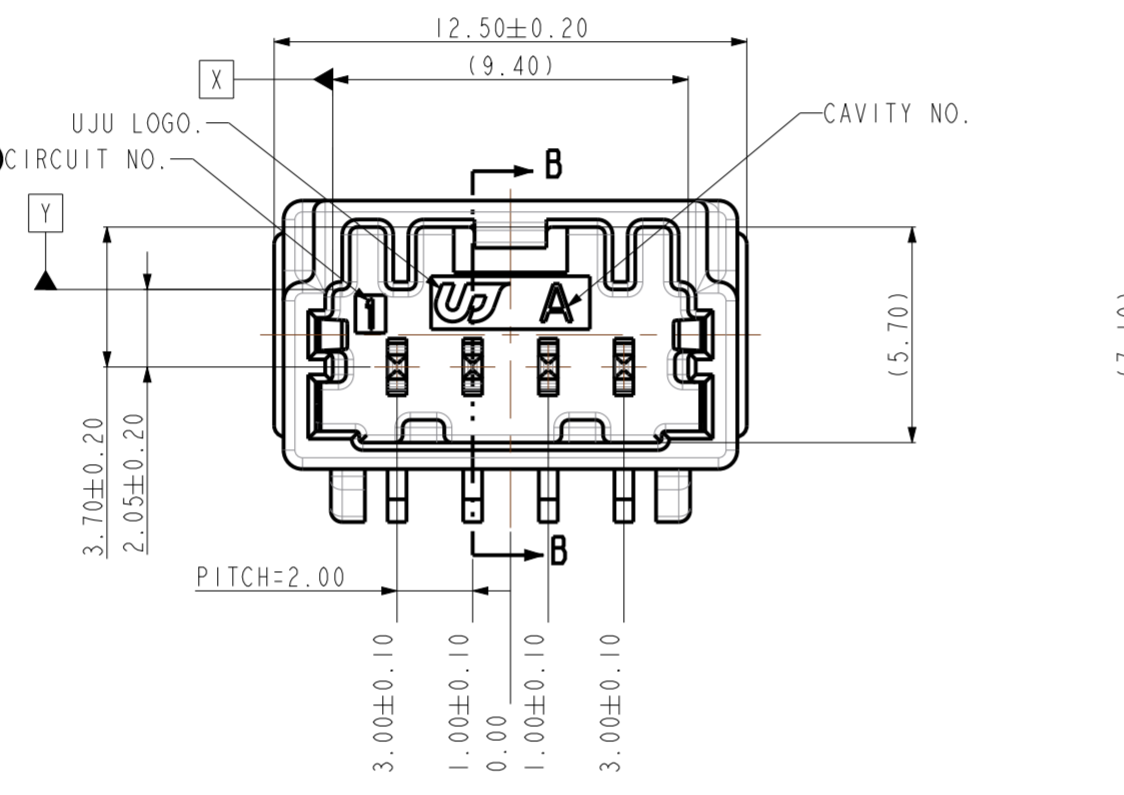
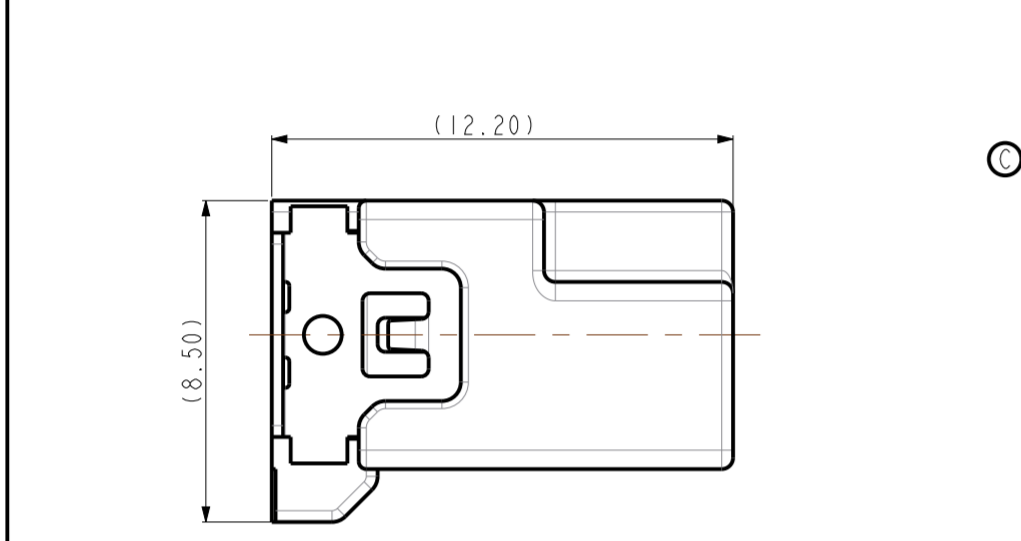


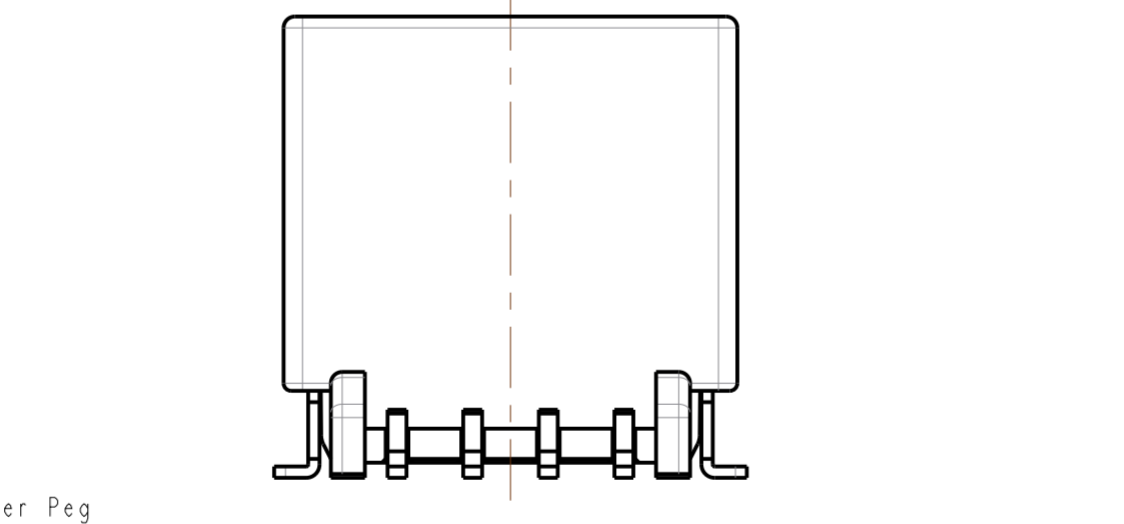
REV	REVISION RECORD	DATE	DRWN	CHKD	APVD
A	RELEASED	01.NOV.18	DR	KH	CY
B	REVISED (RD-2020-024)	25.FEB'20	DR	KH	CY
C	REVISED (RD-2020-140)	23.OCT'20	DR	KH	CY



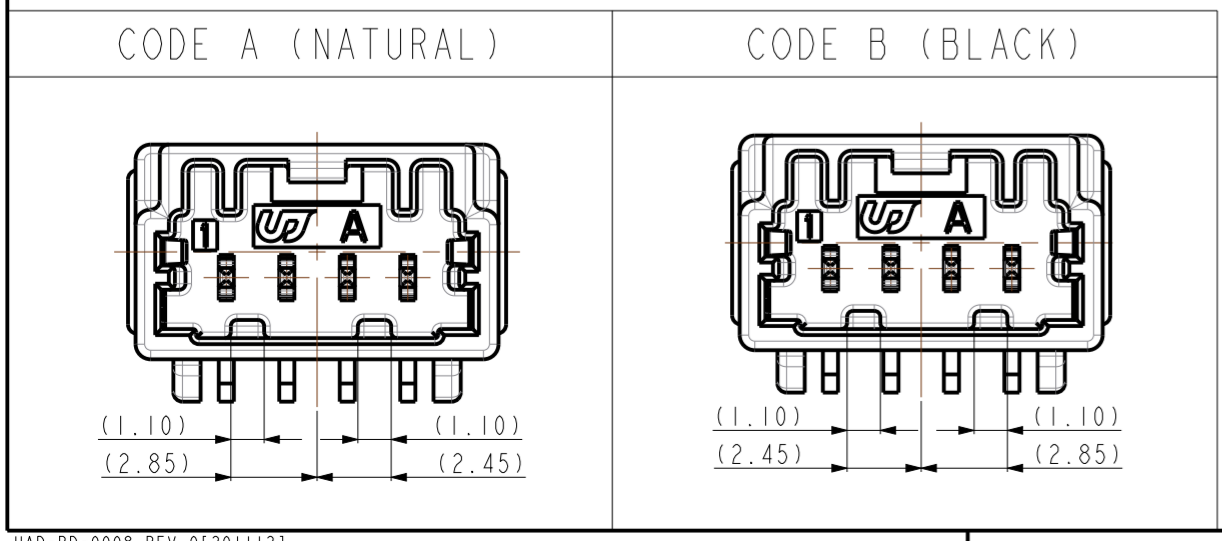
ISO VIEW



SECTION B-B



- NOTE.
1. GENERAL TOLERANCE : ± 0.3 , $\pm 3.0^\circ$
 2. BURR 0.3 MAX.
 3. NO CRACK
 4. ALL LETTERS SHALL BE CLEAR AND LEGIBLE
 5. Δ MEASURING THE DIMENSIONS OF TAB TML AND SOLDER PEG.
 6. VACUM GRIP AREA FREE OF BURR AND FECTOR PINS. $\text{MAX}\varnothing 4.0\text{mm}$



NO	DESCRIPTION	MATERIAL	FINISH/COLOR	Q'TY
5	020_D_COVER_HSG_BK	LCP	BLACK	1
4	020 SMT SOLDER PEG-LEFT (VTC)	BRASS	POST-TIN	1
3	020 SMT SOLDER PEG-RIGHT (VTC)	BRASS	POST-TIN	1
2	020 SMT TAB TML (VTC)	BRASS	POST-TIN	4
1	020_D_SMT_4M_V_HSG_BK	PA9T GF30	BLACK	1
1	020_D_SMT_4M_V_HSG_NR	PA9T GF30	NATURAL	1

DRWN	DR KOO	(주)우주 일렉트로닉스 UJU Electronics co.,Ltd.	NAME			
CHKD	KH PARK		020_D_SMT_4M_V_ASSY			
APVD	CY CHOI		CUSTOMER	DRAWING NO		
MATERIAL	SEE TABLE	DRAWING		KH1800083		
FINISH/COLOR	SEE TABLE	LOC	RESTRICTED TO	SIZE	SCALE	
PRODUCT SPEC	-	-	-	A2	5:1	
APPLICATION SPEC	-	WEIGHT	-	SHEET	1 OF 1	
				REV	C	