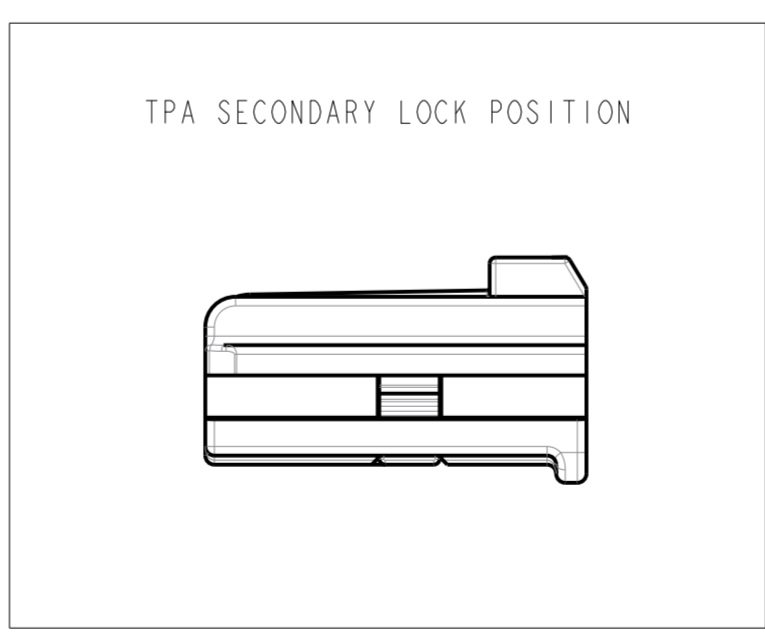
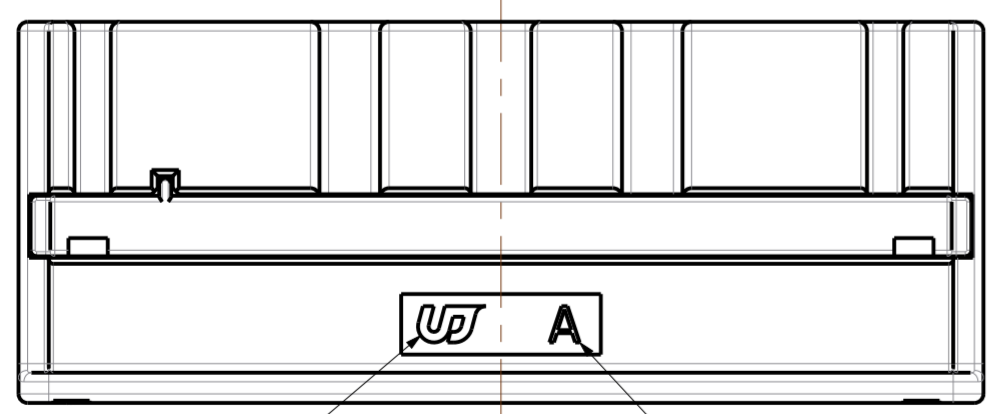
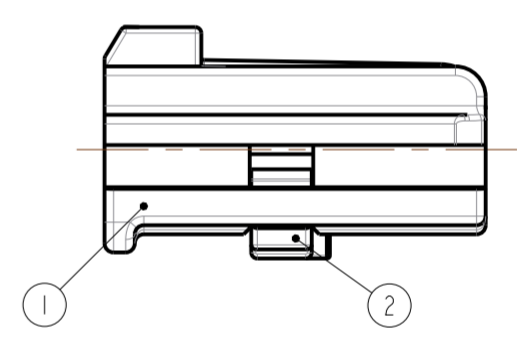
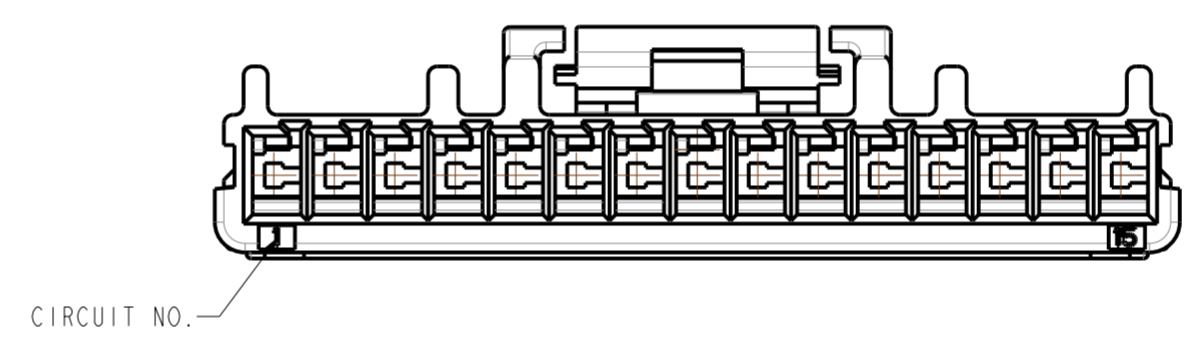
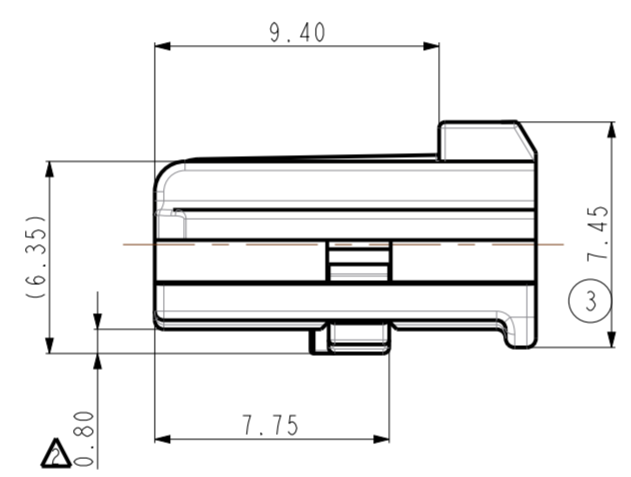
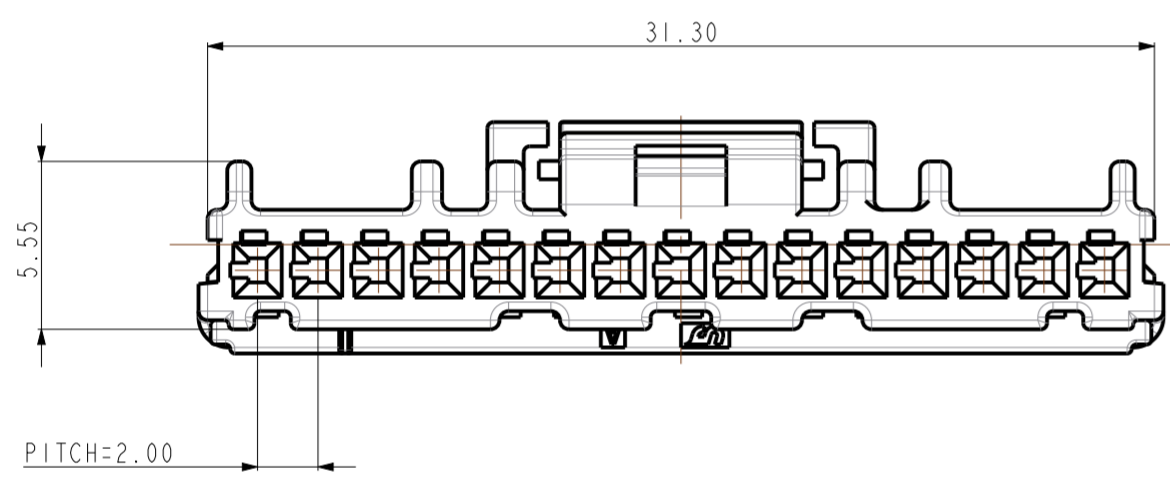
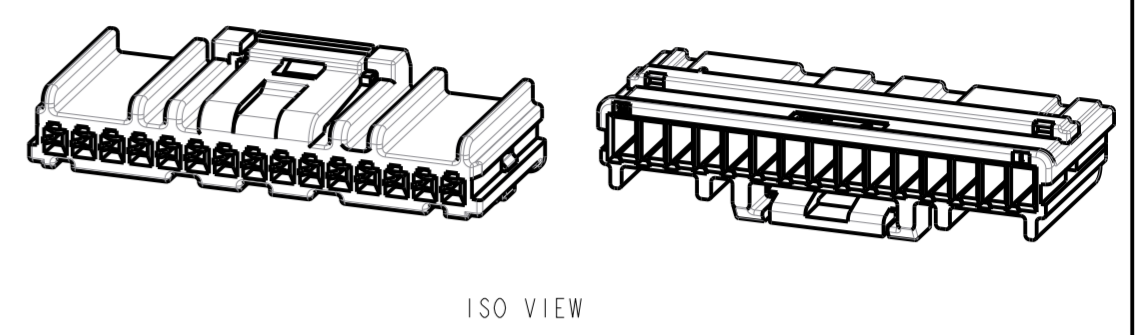
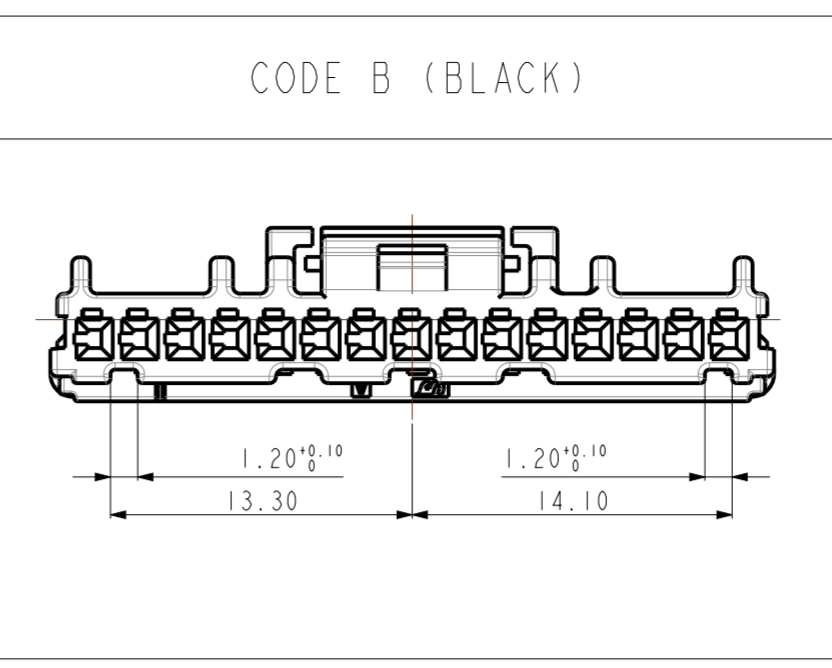
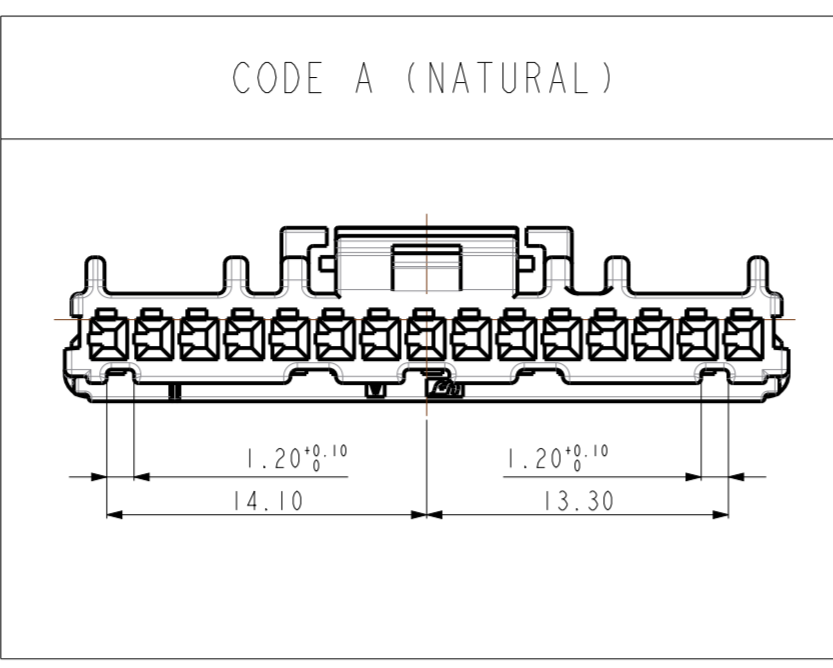
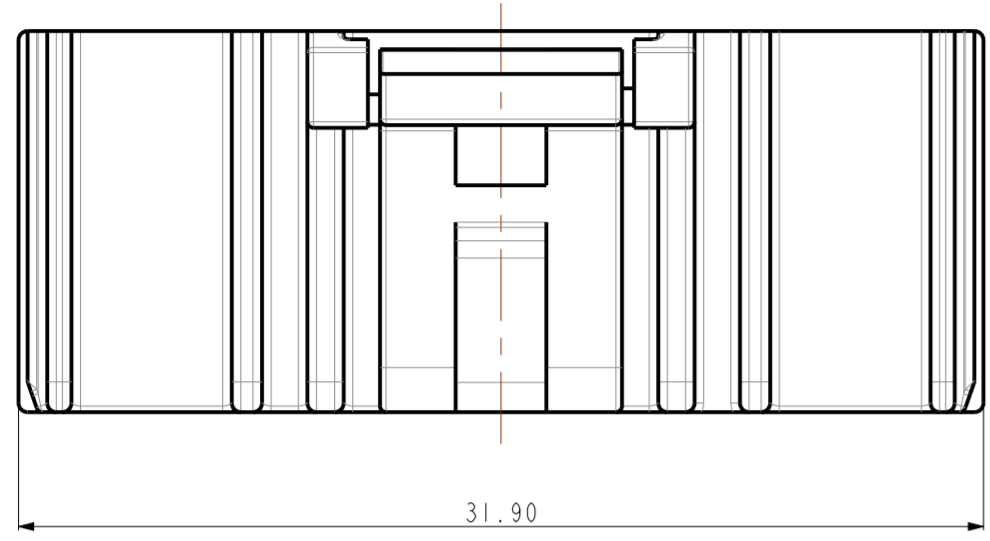


REV	REVISION RECORD	DATE	DRWN	CHKD	APVD
A	RELEASED	10. JUN '20	DR	KH	CY



- NOTE.
- GENERAL TOLERANCE :  $\pm 0.3$ ,  $\pm 3^\circ$
  - DELIVERY CONDITION : TPA FIRST LOCK POSITION
  - BURR 0.3 MAX.
  - NO CRACK.
  - ALL LETTERS SHALL BE CLEAR AND LEGIBLE

NO	DESCRIPTION	MATERIAL	FINISH/COLOR	Q'TY
②	020_D_15P_TPA_HSG_GN	PBT GF10	GREEN	1
①	020_D_15F_HSG_BK	PBT GF10	BLACK	1
	020_D_15F_HSG_NR	PBT GF10	NATURAL	1

DRWN	DR KOO	(주)우주 일렉트로닉스 UJU Electronics co.,Ltd.					
CHKD	KH PARK						
APVD	CY CHOI	NAME	020_D_15F_ASSY				
MATERIAL	SEE TABLE	CUSTOMER	DRAWING NO				
FINISH/COLOR	SEE TABLE	DRAWING	KH1800078				
WEIGHT	-	LOC	RESTRICTED TO	SIZE	SCALE	SHEET	REV
		-	-	A2	5:1	1 OF 1	A

TOLERANCES UNLESS OTHERWISE SPECIFIED	UNIT MM
0	THIRD ANGLE PROJECTION
0.0	
0.00	
0.000	
0.0000	
ANGLES	
PRODUCT SPEC	APPLICATION SPEC
-	-

REV.	ASS'Y P/N	CODE	DESCRIPTION
A	KH1800078-21	B	020_D_15F_ASSY-BK
A	KH1800078-10	A	020_D_15F_ASSY-NR