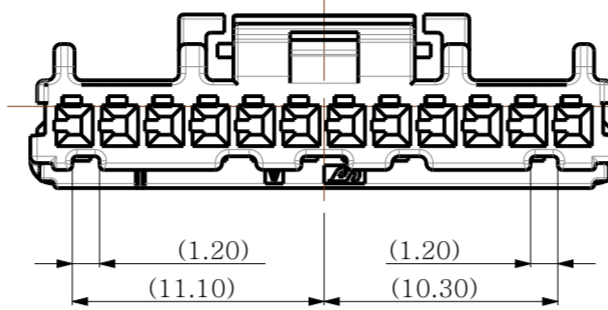


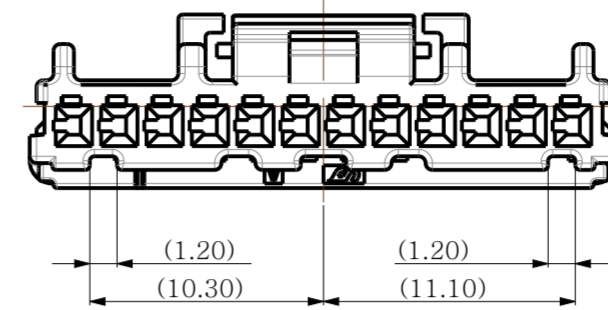
UJU LOGO.

CAVITY NO.

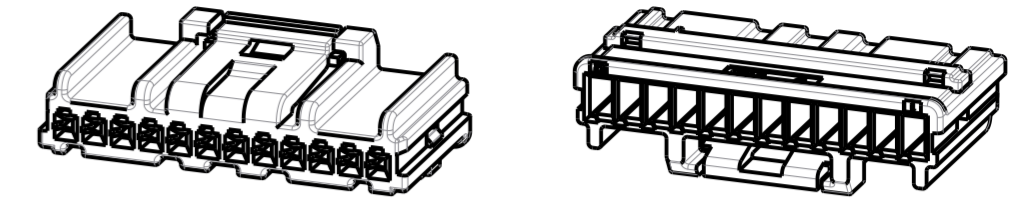
CODE A (NATURAL)



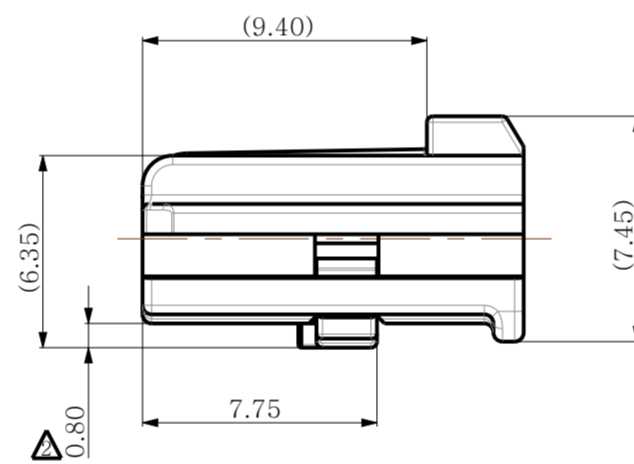
CODE B (BLACK)



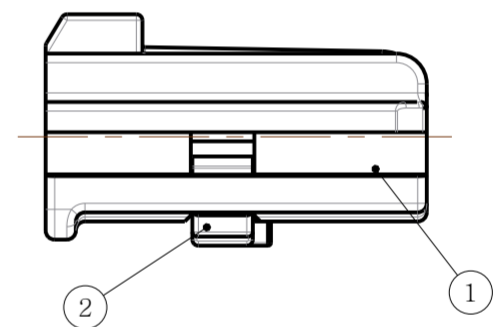
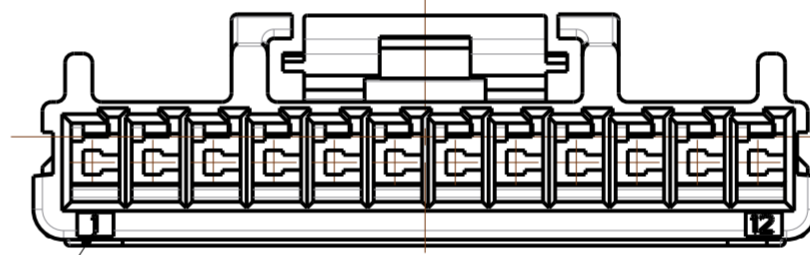
REV	REVISION RECORD	DATE	DRWN	CHKD	APVD
A	RELEASED	22.JUN'20	DR	KH	CY



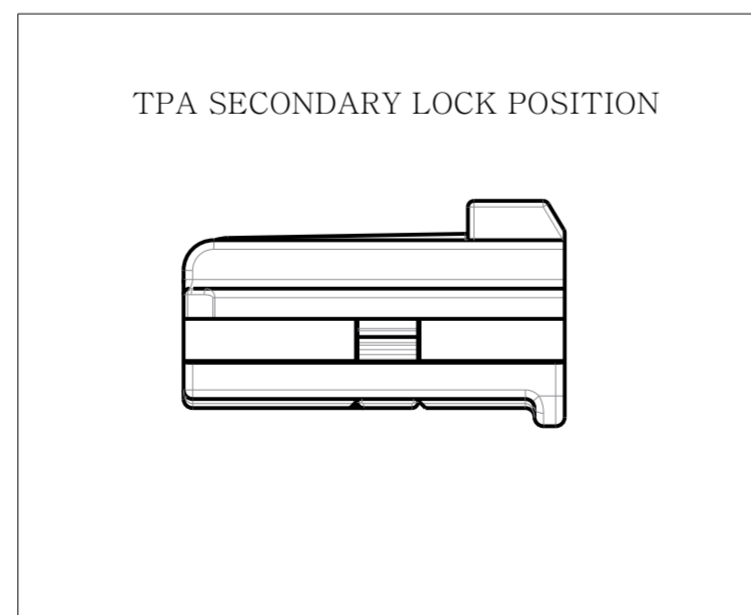
ISO VIEW



CIRCUIT NO.



- NOTE.
1. GENERAL TOLERANCE : $\pm 0.3, \pm 3^\circ$
 2. Δ DELIVERY CONDITION : TPA FIRST LOCK POSITION
 3. BURR 0.3 MAX.
 4. NO CRACK.
 5. ALL LETTERS SHALL BE CLEAR AND LEGIBLE



NO	DESCRIPTION	MATERIAL	FINISH/COLOR	Q'TY
2	020_D_12P_TPA_HSG_GN	PBT GF10	GREEN	1
1	020_D_12F_HSG_BK	PBT GF10	BLACK	1
	020_D_12F_HSG_NR	PBT GF10	NATURAL	1

DRWN	DR KOO	 (주)우주일렉트로닉스 UJU Electronics co.,Ltd.	NAME					
CHKD	KH PARK		020_D_12F_ASSY					
APVD	CY CHOI		CUSTOMER DRAWING	DRAWING NO				
MATERIAL		SEE TABLE	KH1800075					
FINISH/COLOR		SEE TABLE	LOC	RESTRICTED TO	SIZE	SCALE	SHEET	REV
WEIGHT		-	-	-	A2	5:1	1 OF 1	A

TOLERANCES UNLESS OTHERWISE SPECIFIED	UNIT MM
0	THIRD ANGLE PROJECTION
0.0	
0.00	
0.000	
0.0000	
ANGLES	
PRODUCT SPEC	APPLICATION SPEC
-	-

DESCRIPTION	CODE	ASSY P/N	REV.
020_D_12F_ASSY_BK	B	KH1800075-21	A
020_D_12F_ASSY_NR	A	KH1800075-10	A