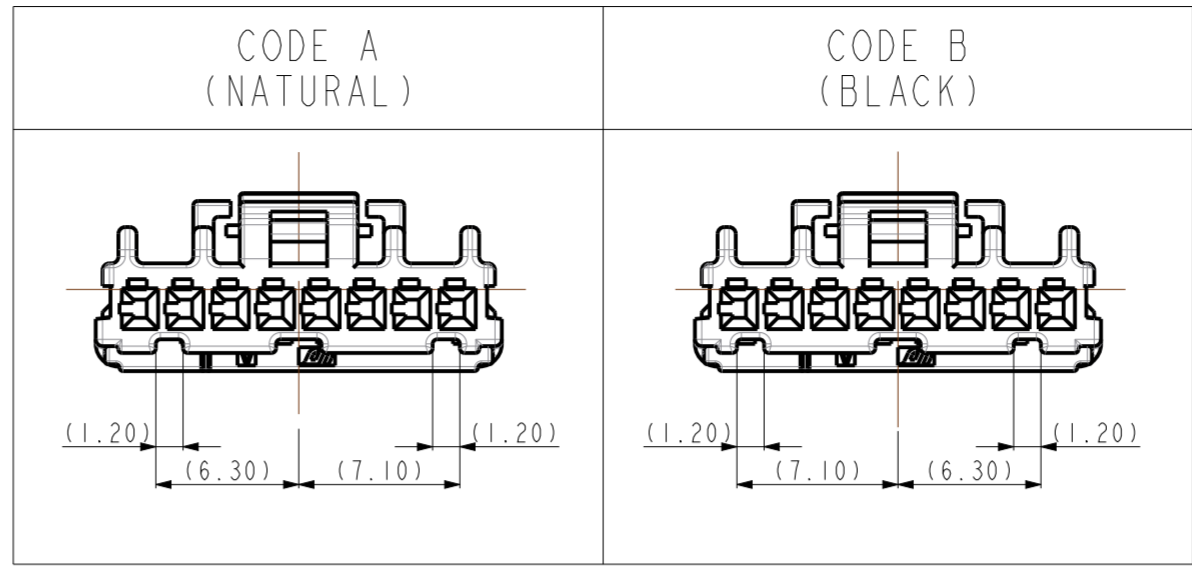
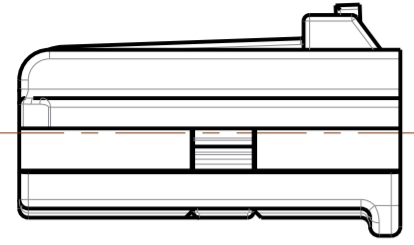
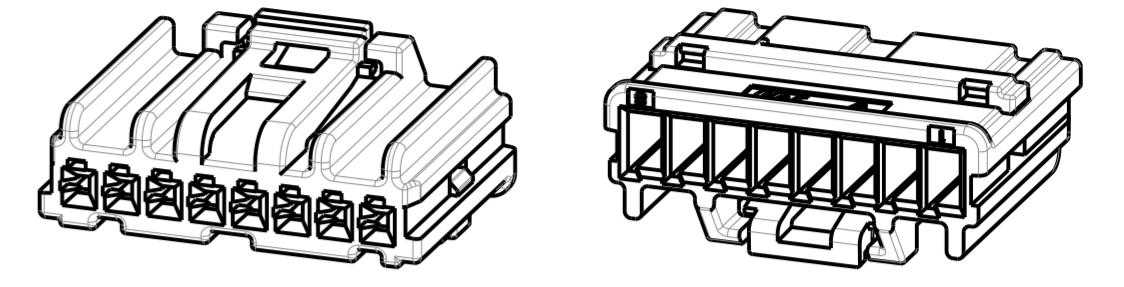


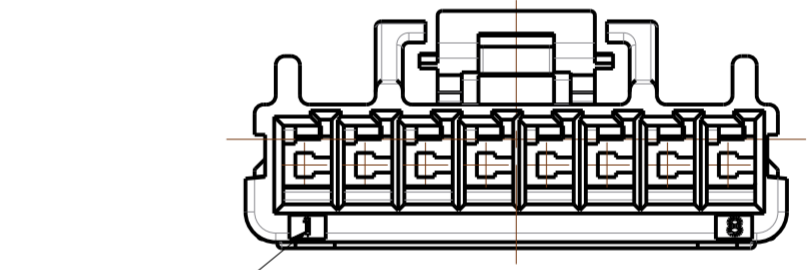
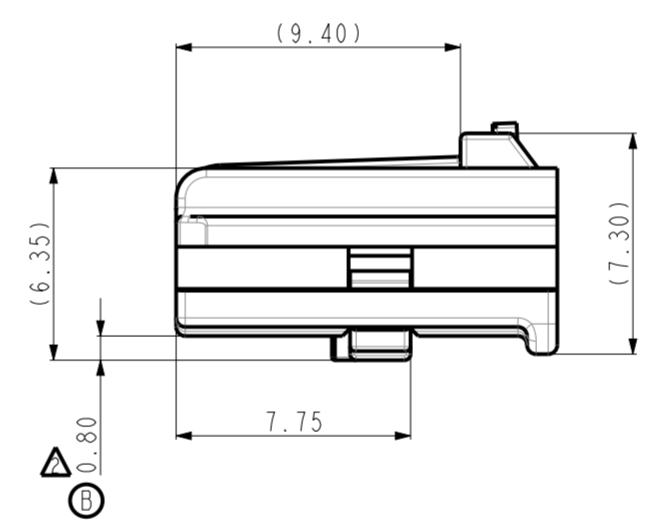
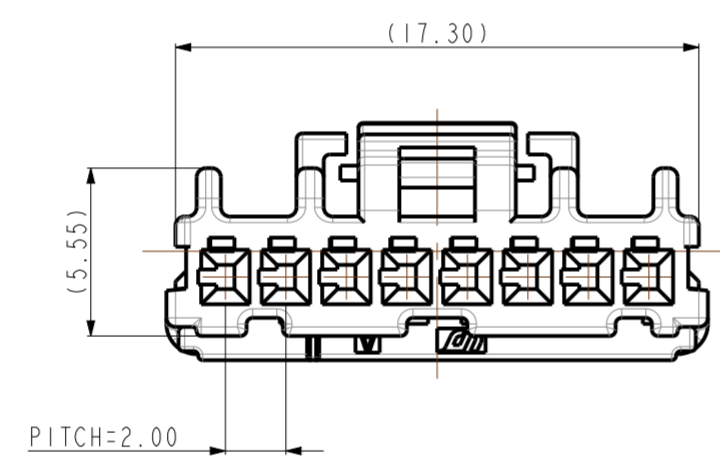
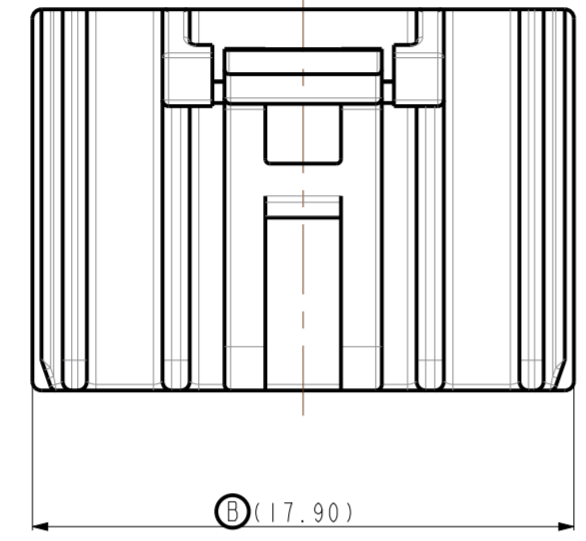
TPA SECONDARY LOCK POSITION



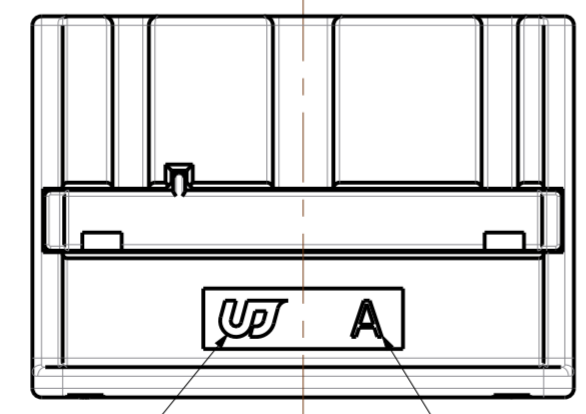
REV	REVISION RECORD	DATE	DRWN	CHKD	APVD
A	RELEASED	22.NOV'19	DR	KH	CY
B	REVISED (RD-2020-020)	24.FEB'20	DR	KH	CY



ISO VIEW



- NOTE.
- GENERAL TOLERANCE : $\pm 0.3, \pm 3^\circ$
 - DELIVERY CONDITION : TPA FIRST LOCK POSITION
 - BURR 0.3 MAX.
 - NO CRACK.
 - ALL LETTERS SHALL BE CLEAR AND LEGIBLE



UJU LOGO CAVITY NO.

NO	DESCRIPTION	CODE	ASSY P/N	REV.
2	020_D_8F_ASSY_BK	B	KH1800072-21	B
1	020_D_8F_ASSY_NR	A	KH1800072-10	B

NO	DESCRIPTION	MATERIAL	FINISH/COLOR	Q'TY
2	020_D_8P_TPA_HSG_GN	PBT GF10	GREEN	1
1	020_D_8F_HSG_BK	PBT GF10	BLACK	1
1	020_D_8F_HSG_NR	PBT GF10	NATURAL	1

DRWN	DR KOO	(주)우주 일렉트로닉스 UJU Electronics co.,Ltd.	NAME			
CHKD	KH PARK		020_D_8F_ASSY			
APVD	CY CHOI		CUSTOMER	DRAWING NO		
MATERIAL	SEE TABLE	DRAWING	KH1800072			
FINISH/COLOR	SEE TABLE	RESTRICTED TO	SIZE	SCALE	SHEET	
WEIGHT	-	LOC	A2	5:1	1 OF 1	
PRODUCT SPEC	-	APPLICATION SPEC	-	-	REV	
					B	

TOLERANCES UNLESS OTHERWISE SPECIFIED	UNIT MM
0	THIRD ANGLE PROJECTION
0.0	
0.00	
0.000	
0.0000	
ANGLES	
PRODUCT SPEC	APPLICATION SPEC
-	-