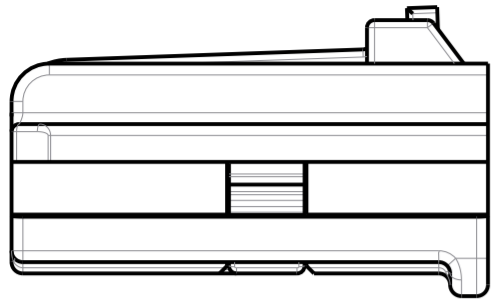
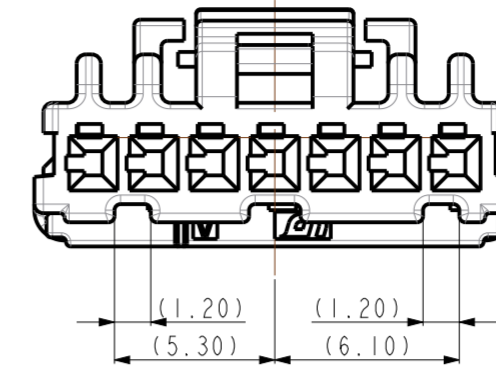
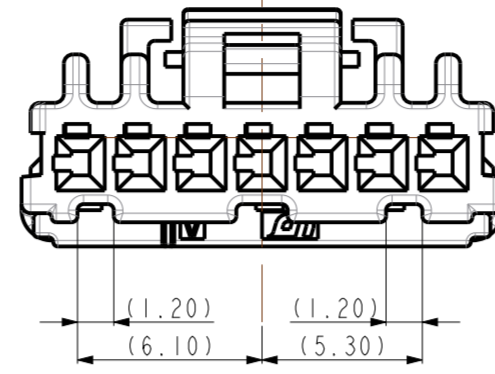


TPA SECONDARY LOCK POSITION

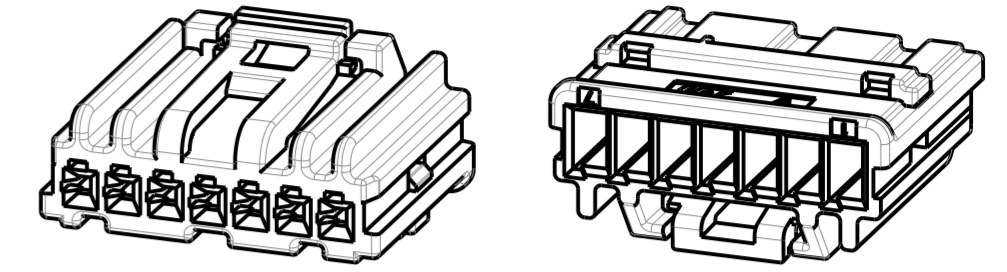


CODE A
(NATURAL)

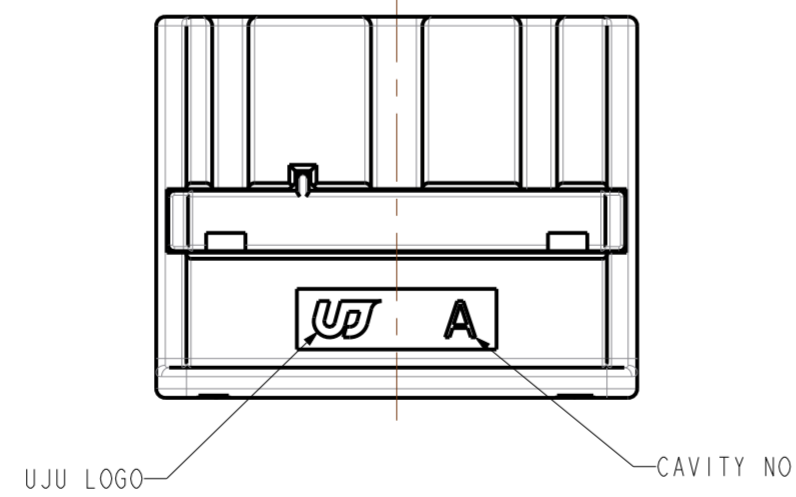
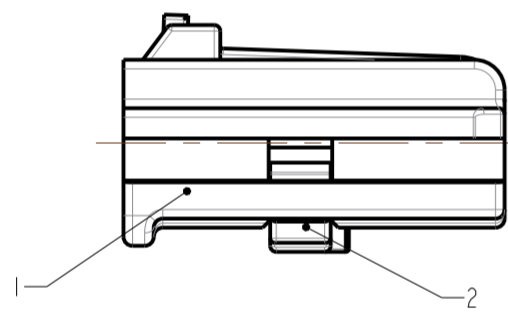
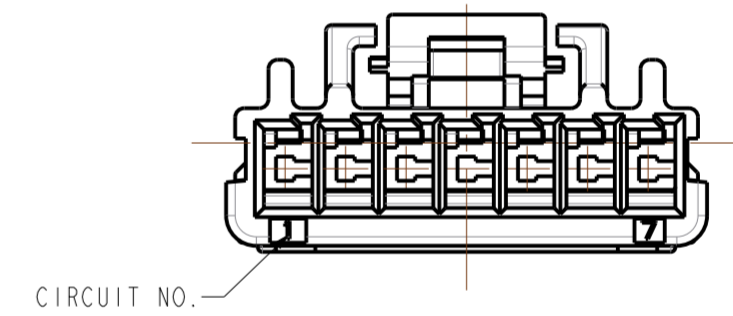
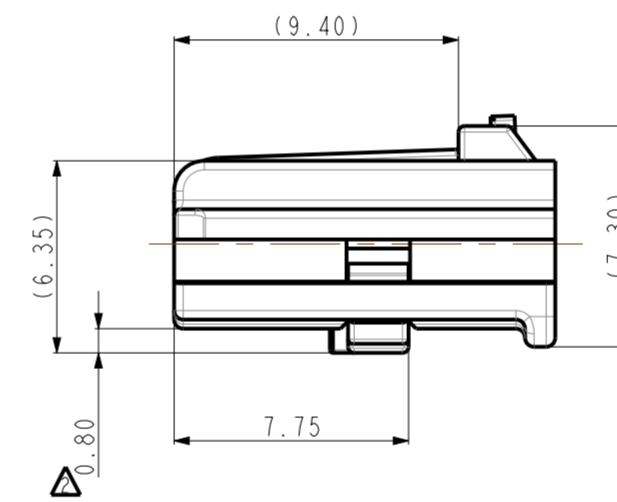
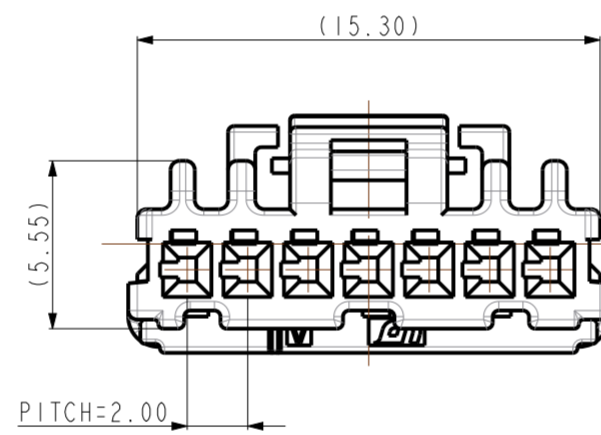
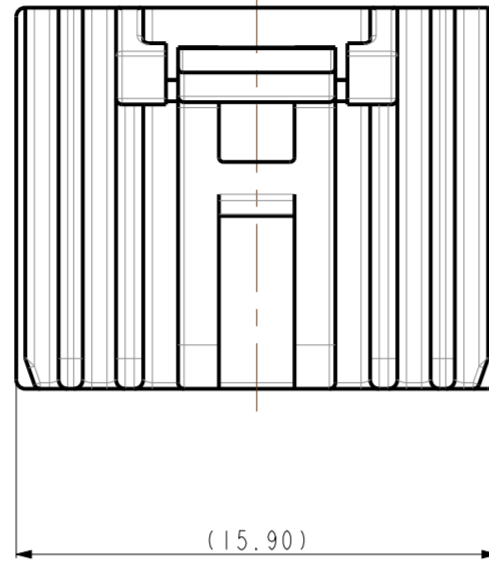
CODE B
(BLACK)



REV	REVISION RECORD	DATE	DRWN	CHKD	APVD
A	RELEASED	09.JUN'20	DR	KH	CY



ISO VIEW



- NOTE:
 1. GENERAL TOLERANCE : $\pm 0.3, \pm 3^\circ$
 Δ DELIVERY CONDITION : TPA FIRST LOCK POSITION
 3. BURR 0.3 MAX.
 4. NO CRACK.
 5. ALL LETTERS SHALL BE CLEAR AND LEGIBLE

NO	DESCRIPTION	MATERIAL	FINISH/COLOR	Q'TY
2	020_D_7P_TPA_HSG_GN	PBT GF10	GREEN	1
1	020_D_7F_HSG_BK	PBT GF10	BLACK	1
1	020_D_7F_HSG_NR	PBT GF10	NATURAL	1

DESCRIPTION	CODE	ASS'Y P/N	REV.
020_D_7F_ASSY_BK	B	KH1800069-21	A
020_D_7F_ASSY_NR	A	KH1800069-10	A

DRWN	DR KOO	(주)우주 일렉트로닉스 UJU Electronics co.,Ltd.	NAME				
CHKD	KH PARK		020_D_7F_ASSY				
APVD	CY CHOI		CUSTOMER DRAWING	DRAWING NO KH1800069			
MATERIAL	SEE TABLE	LOC	RESTRICTED TO	SIZE	SCALE	SHEET	REV
FINISH/COLOR	SEE TABLE	-	-	A2	4:1	1 OF 1	A
PRODUCT SPEC	APPLICATION SPEC	WEIGHT	-	-	-	-	-

TOLERANCES UNLESS OTHERWISE SPECIFIED	UNIT MM
0	THIRD ANGLE PROJECTION
0.0	
0.00	
0.000	
0.0000	
ANGLES	
PRODUCT SPEC	APPLICATION SPEC
-	-