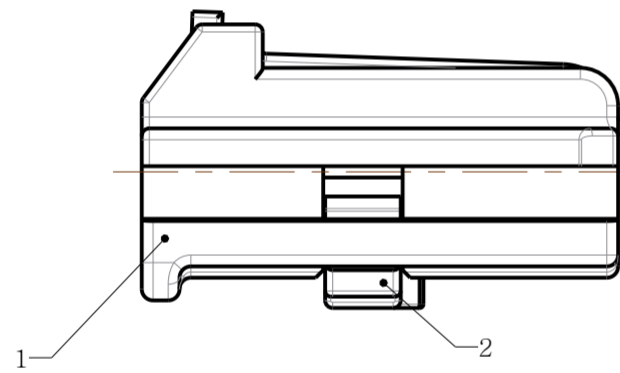
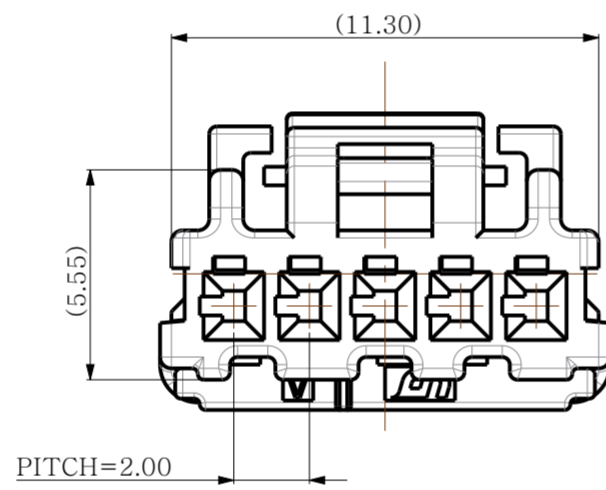
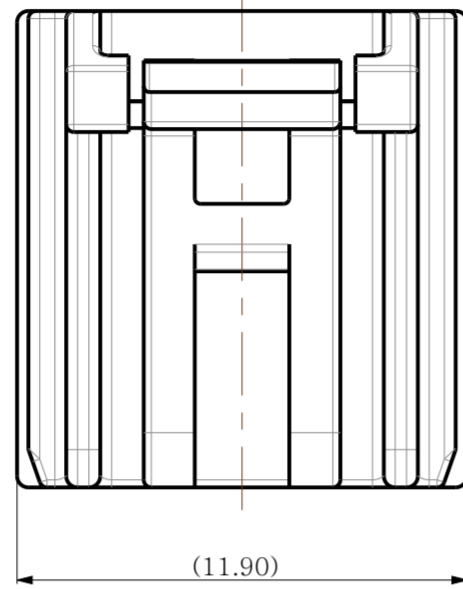
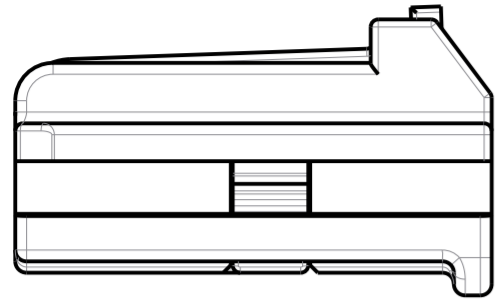
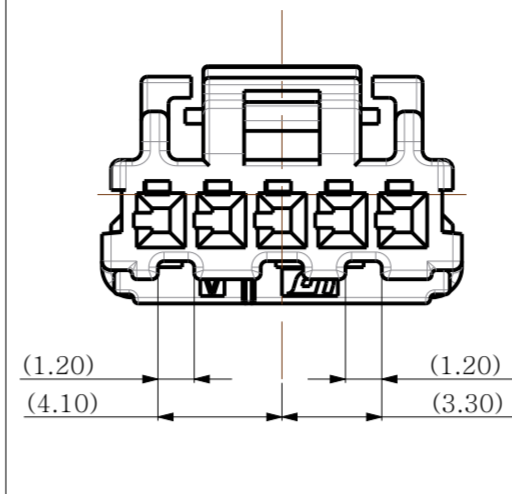


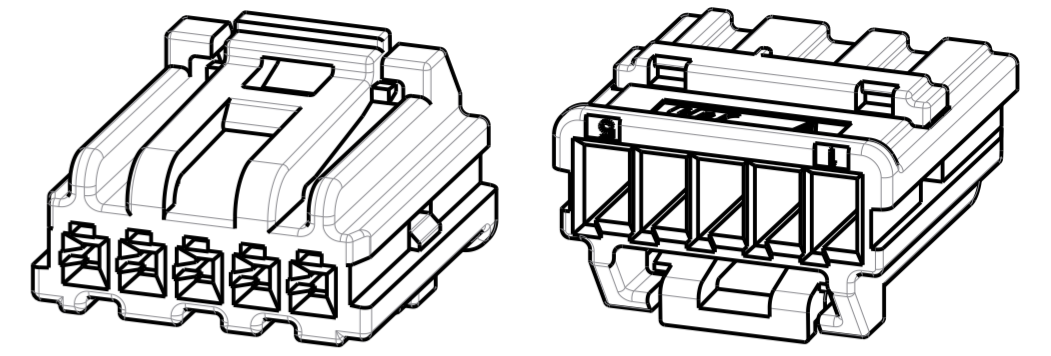
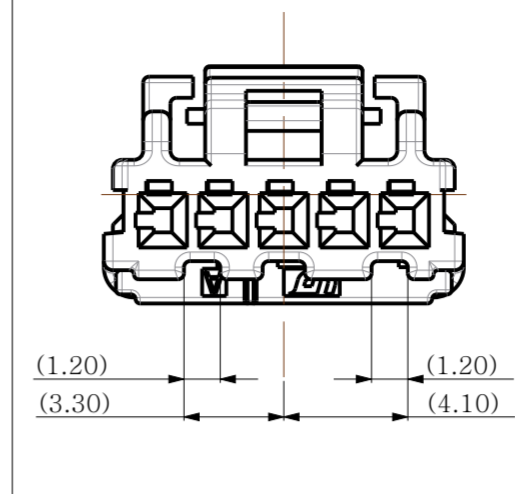
TPA SECONDARY LOCK POSITION



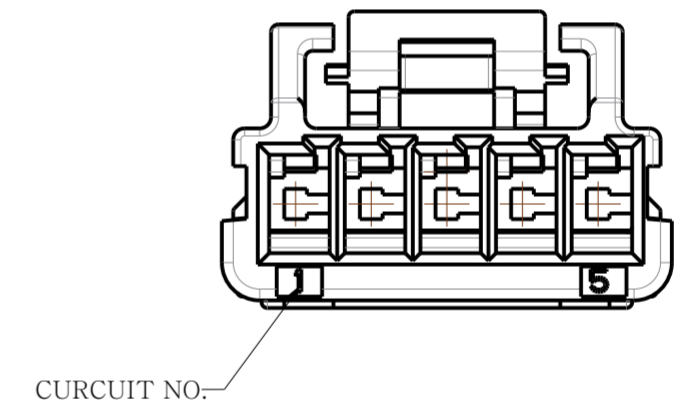
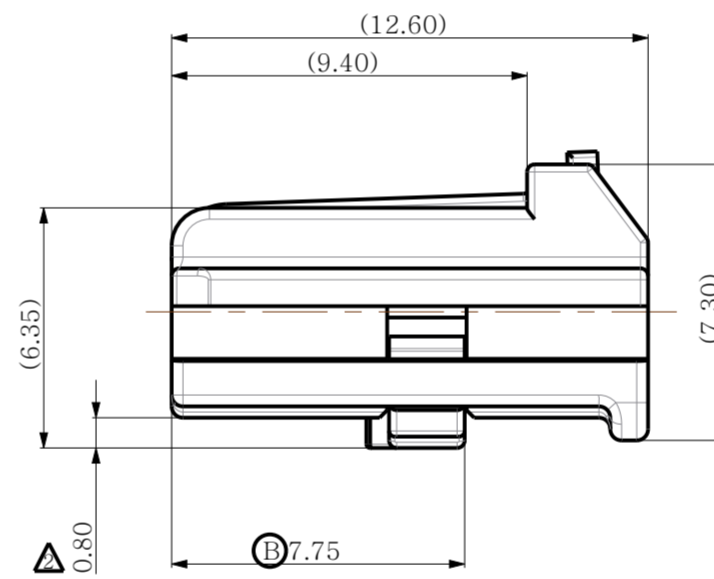
CODE A
(NATURAL)



CODE B
(NATURAL)

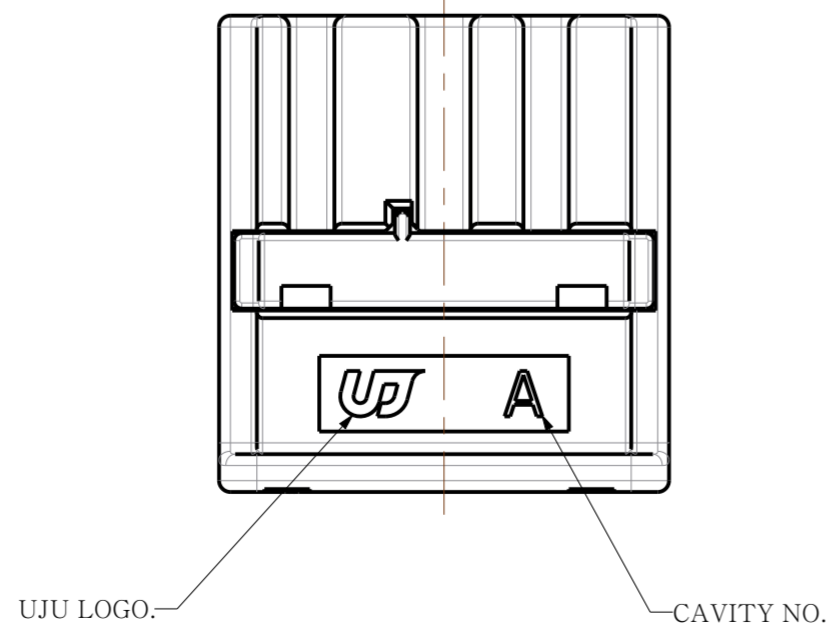


ISO VIEW



CURCUIT NO.

- NOTE.
 1. GENARAL TOLERANCE : $\pm 0.3, \pm 3^\circ$
 Δ DELIVERY CONDITION : TPA FIRST LOCK POSITION
 3. BURR 0.3 MAX.
 4. NO CRACK.
 5. ALL LETTERS SHALL BE CLEAR AND LEGIBLE



UJU LOGO.

CAVITY NO.

REV	REVISION RECORD	DATE	DRWN	CHKD	APVD
A	RELEASED	01.NOV'19	DR	KH	CY
B	REVISED (RD-2020-020)	24.FEB'20	DR	KH	CY

4

3

2

1

NO	DESCRIPTION	CODE	ASSY P/N	REV.
2	020_D_5F_ASSY_BK	B	KH1800066-21	B
1	020_D_5F_ASSY_NR	A	KH1800066-10	B

NO	DESCRIPTION	MATERIAL	FINISH/COLOR	Q'TY
2	020_D_5P_TPA_HSG_GN	PBT GF10	GREEN	1
1	020_D_5F_HSG_BK	PBT GF10	BLACK	1
1	020_D_5F_HSG_NR	PBT GF10	NATURAL	1

DRWN	DR KOO	(주)우주일렉트로닉스 UJU Electronics co.,Ltd.	NAME					
CHKD	KH PARK		020_D_5F_ASSY					
APVD	CY CHOI		CUSTOMER DRAWING	DRAWING NO				
MATERIAL		SEE TABLE	KH1800066					
FINISH/COLOR		SEE TABLE	LOC	RESTRICTED TO	SIZE	SCALE	SHEET	REV
WEIGHT		-	-	-	A2	5:1	1 OF 1	B

TOLERANCES UNLESS OTHERWISE SPECIFIED	UNIT MM	THIRD ANGLE PROJECTION
0	±	
0.0	±	
0.00	±	
0.000	±	
0.0000	±	
ANGLES	±	
PRODUCT SPEC	-	APPLICATION SPEC
-	-	-