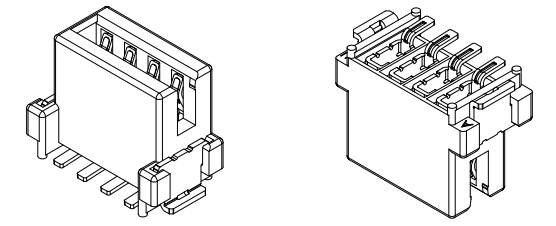
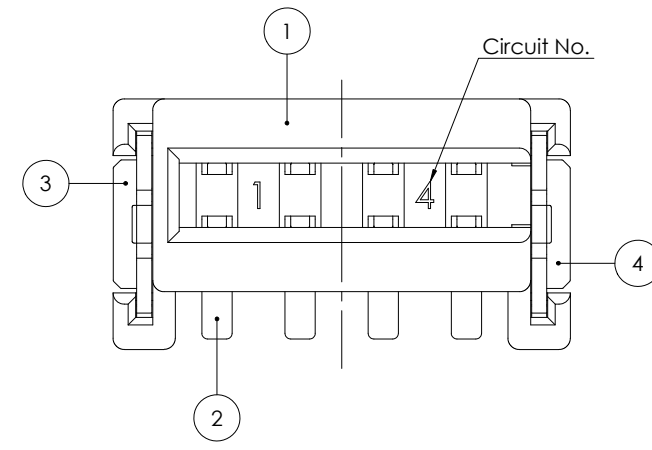
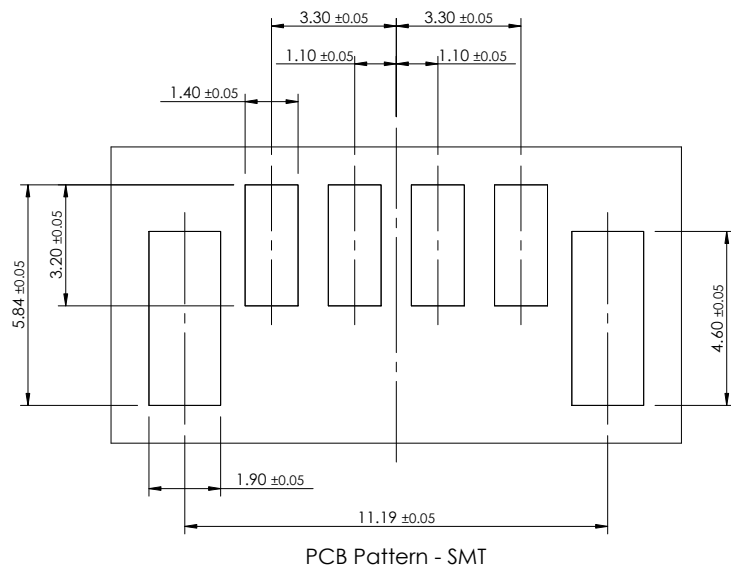
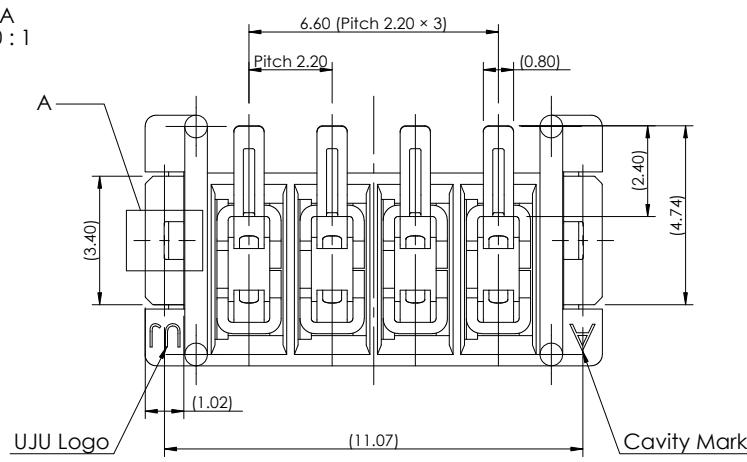
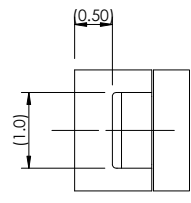
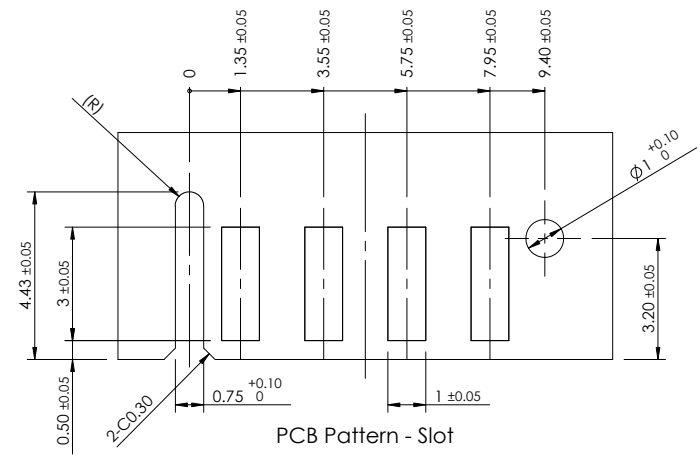
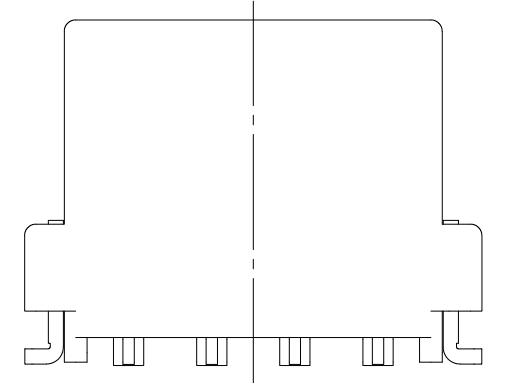
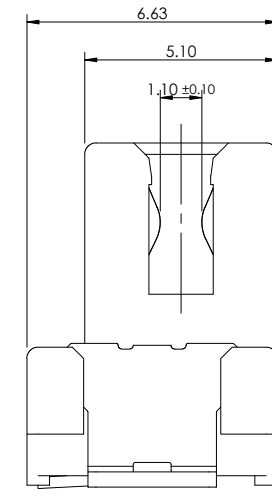
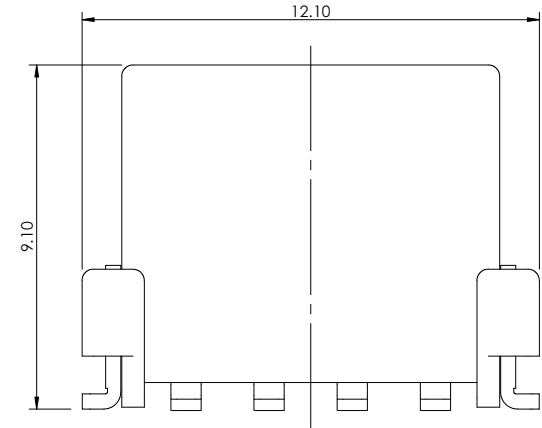
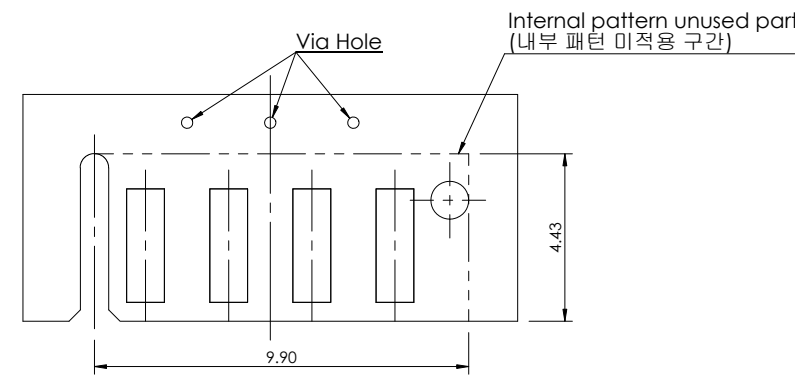


REV	REVISION RECORD	DATE	DRWN	CHKD	APVD
A	RELEASED	20 MAR '19	JK	SH	CY



3D View



- Note. 1-
1. General Tolerance : ±0.30
  2. Burr side is not permitted.
  3. No crack

- Note. 2 (PCB Pattern - Slot)-
1. Thickness : 1.60 ±0.10
  2. Finish : Same as terminal plating  
Ex) Sn/HASL ↔ Sn, Au ↔ Au
  3. Recommendation : Apply a via hole for connect both sides.
  4. Concrete specifications are discussed with UJU.

No.	Description	Material	Finish / Color	Q'ty
4	020 S SMT Solder Peg VTC-R	Copper Alloy	Post-Tin	1
3	020 S SMT Solder Peg VTC-L	Copper Alloy	Post-Tin	1
2	PCB_Slot_SMT_F_V_TML	Copper Alloy	Post-Tin	4
1	PCB_Slot_SMT_4F_V_HSG	PA9T-GF30	Black	1

KH1800053-20  
Ass'y Part No.

TOLERANCES UNLESS OTHERWISE SPECIFIED	UNIT MM
0 ±	THIRD ANGLE PROJECTION
0.0 ±	
0.00 ±	
0.000 ±	
0.0000 ±	
ANGLES ±	
PRODUCT SPEC	APPLICATION SPEC

DRWN JK. HWANG	NAME	
CHKD SH. LEE	PCB_Slot_SMT_4F_V_ASSY	
APVD CY. CHOI	CUSTOMER	DRAWING NO
MATERIAL SEE TABLE	DRAWING	KH1800053
FINISH/COLOR SEE TABLE	LOC	RESTRICTED TO
WEIGHT	SIZE	SCALE
	A3	5:1
	SHEET	1 of 1
	REV	A