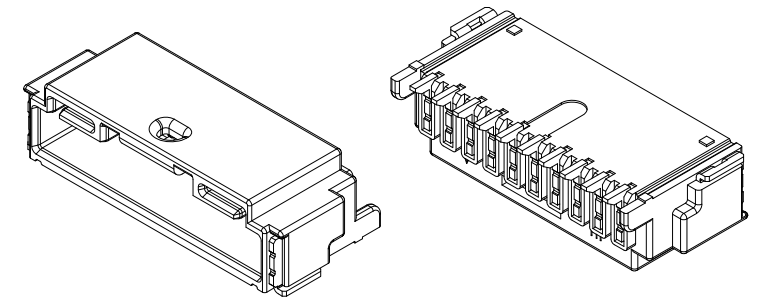
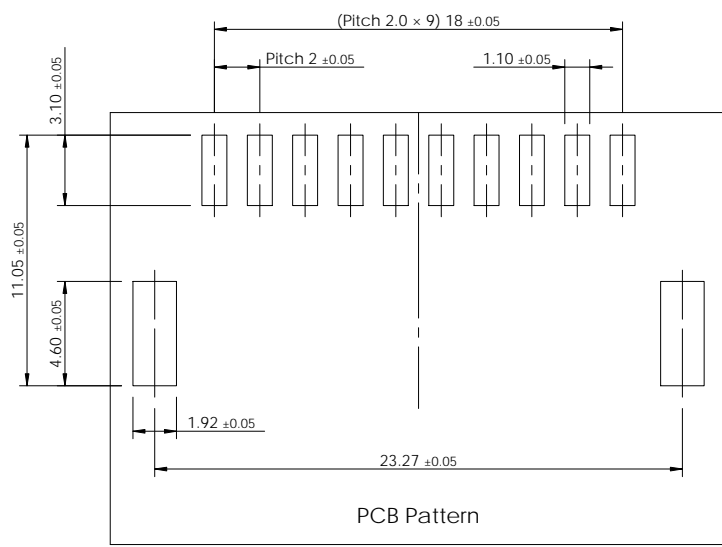
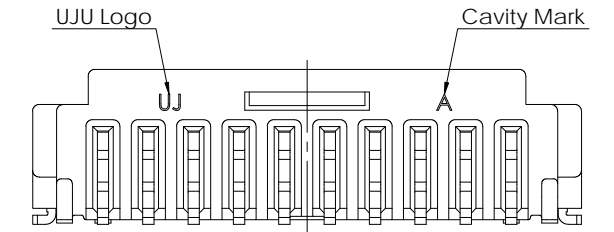
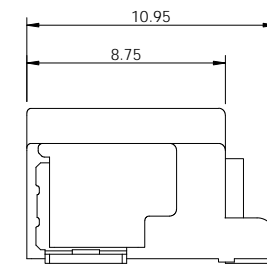
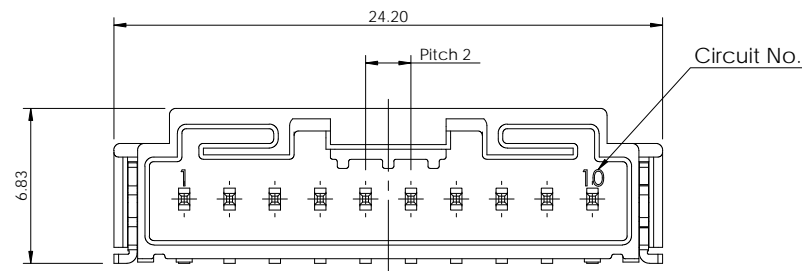
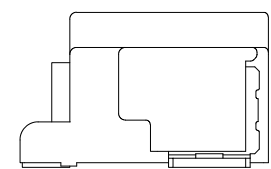
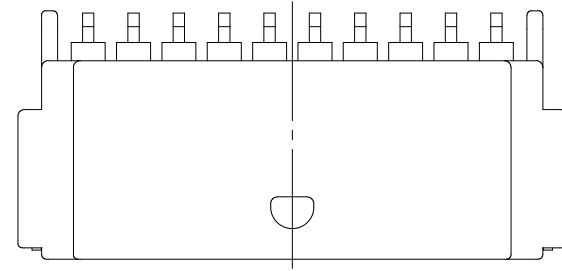


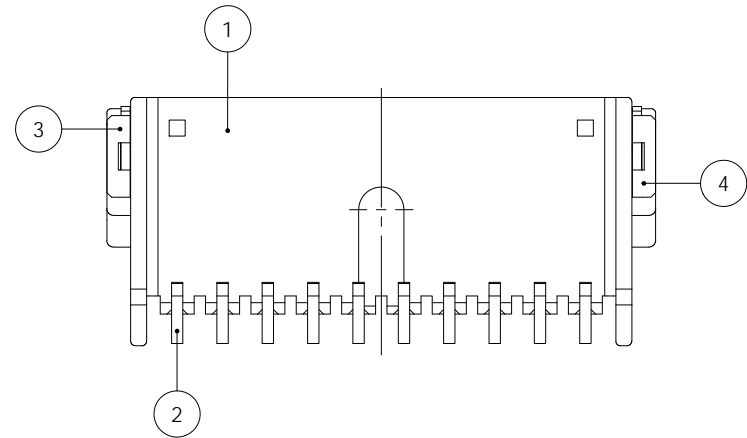
REV	REVISION RECORD	DATE	DRWN	CHKD	APVD
A	RELEASED	02 APR '19	JK	KH	CY



3D View



PCB Pattern



-Note-

1. General Tolerance : ±0.30

No.	Description	Material	Finish / Color	Q'ty	Ass'y Part No.
4	020 S SMT Solder Peg HZT-R	Copper Alloy	Post-Sn	1	KH1800033-20
3	020 S SMT Solder Peg HZT-L	Copper Alloy	Post-Sn	1	KH1800033-10
2	020 S SMT Tab TML HZT_Au	Copper Alloy	Post-Au/Sn	10	10
1	020_S_BL_SMT_10M_H_HSG	PA9T-GF30	Black	1	-
			Natural	-	1

TOLERANCES UNLESS OTHERWISE SPECIFIED 0 ± 0.0 ± 0.00 ± 0.000 ± 0.0000 ± ANGLES ± PRODUCT SPEC	UNIT <b>MM</b> THIRD ANGLE PROJECTION	DRWN JK. HWANG	(주)우주 일렉트로닉스 UJU Electronics co.,Ltd.				
		CHKD KH. PARK					
APVD CY. CHOI MATERIAL SEE TABLE FINISH/COLOR SEE TABLE		NAME 020_S_BL_SMT_10M_H_ASSY_Au					
		CUSTOMER DRAWING	DRAWING NO KH1800033				
APPLICATION SPEC	WEIGHT	LOC	RESTRICTED TO	SIZE A3	SCALE 3:1	SHEET 1 of 1	REV A