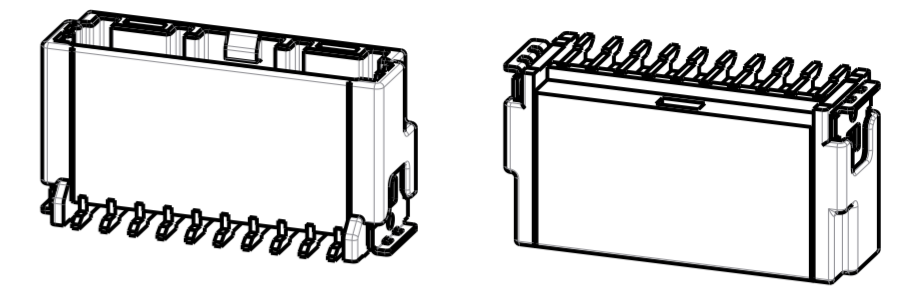
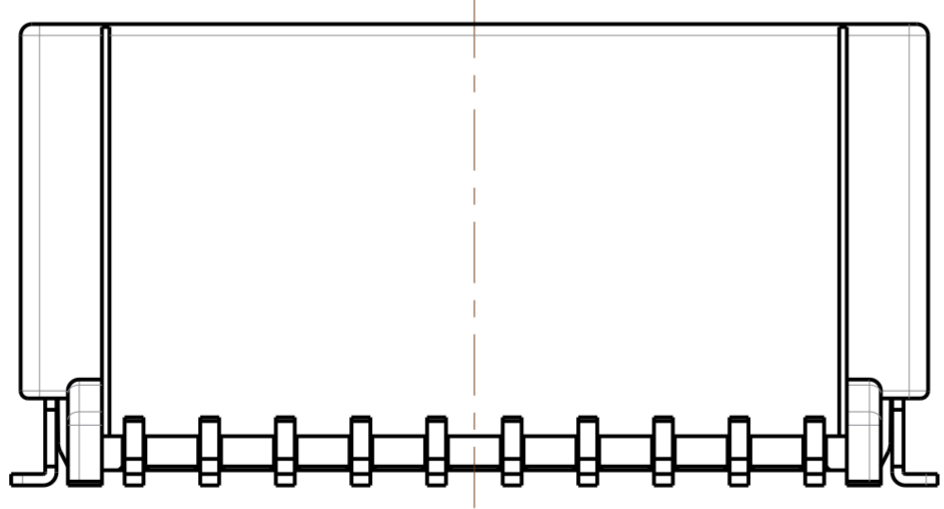
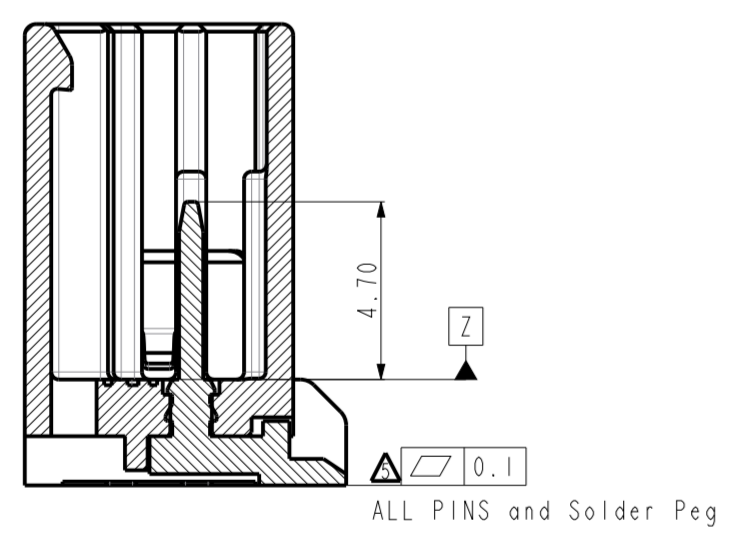
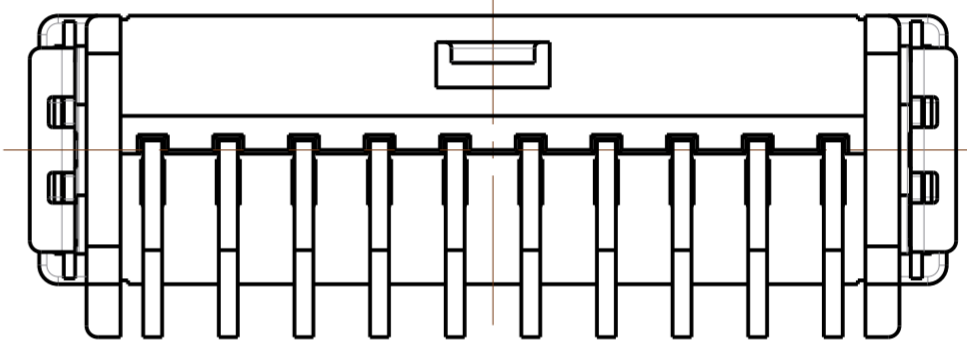
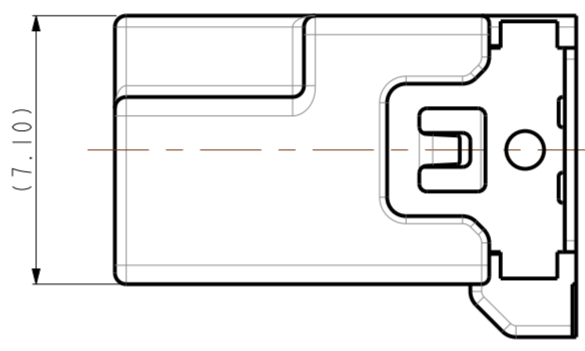
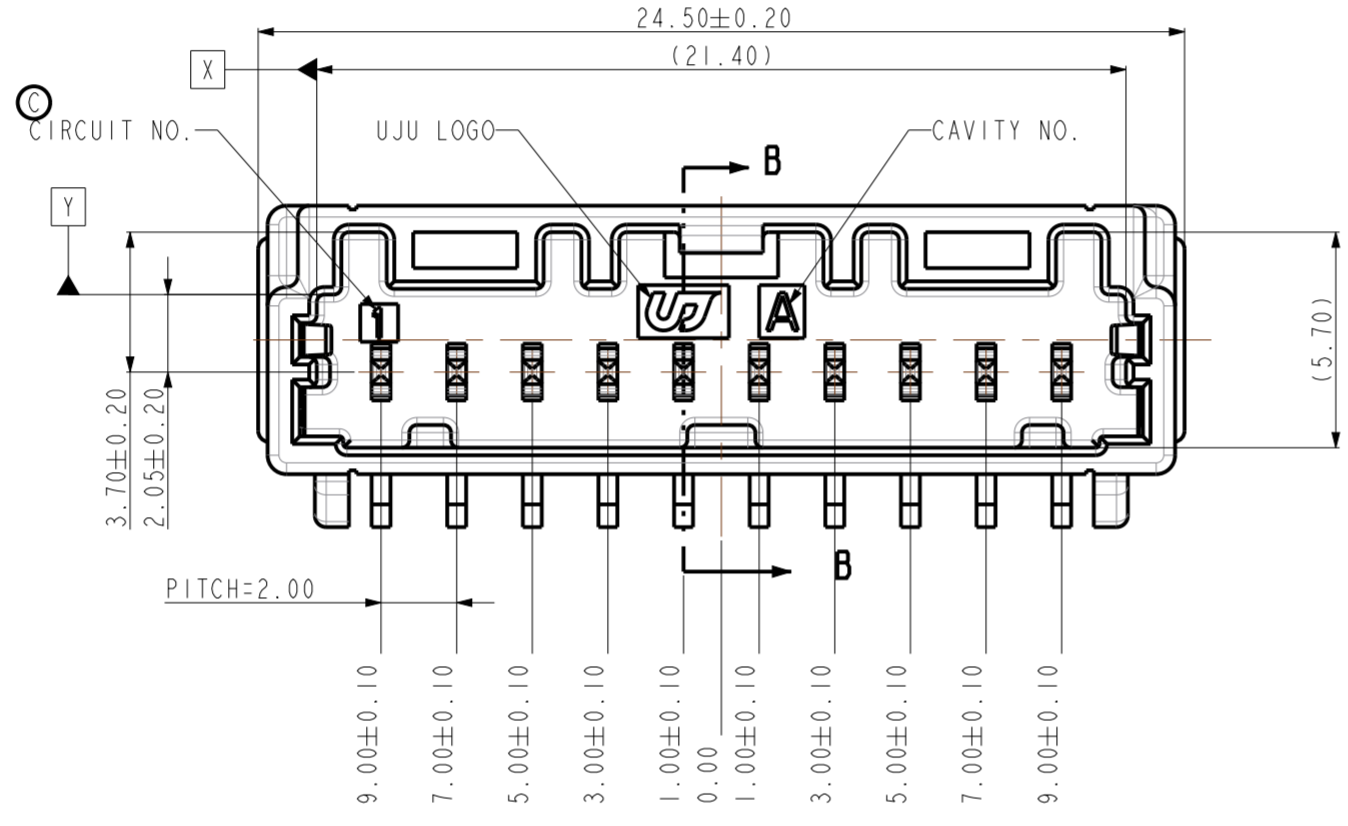
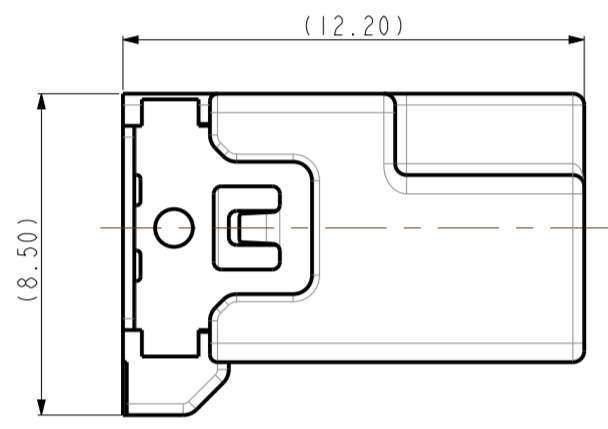


REV	REVISION RECORD	DATE	DRWN	CHKD	APVD
A	RELEASED	22.NOV'19	DR	KH	CY
B	REVISED (RD-2020-024)	25.FEB'20	DR	KH	CY
C	REVISED (RD-2020-140)	23.OCT'20	DR	KH	CY



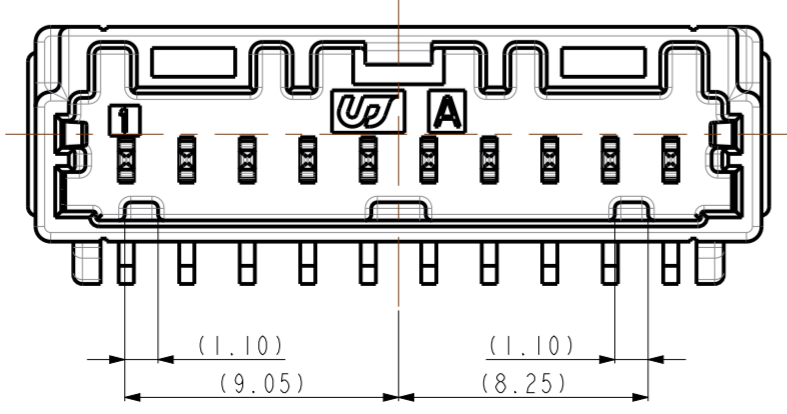
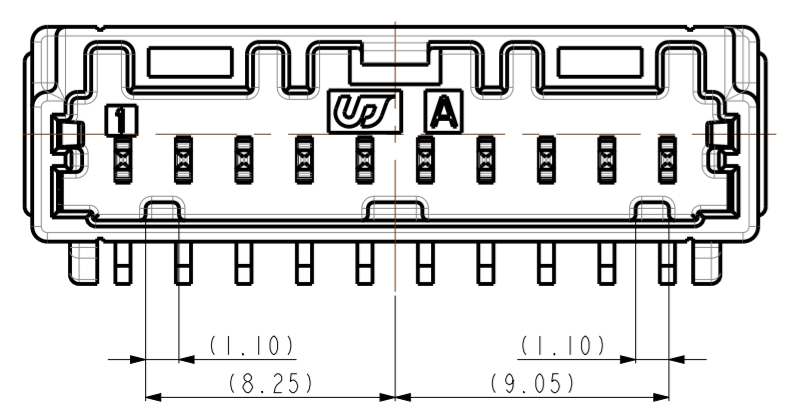
ISO VIEW



- NOTE.
1. GENERAL TOLERANCE : $\pm 0.3, \pm 3.0^\circ$
 2. BURR 0.3 MAX.
 3. NO CRACK
 4. ALL LETTERS SHALL BE CLEAR AND LEGIBLE
 5. Δ MEASURING THE DIMENSIONS OF TAB TML AND SOLDER PEG.
 6. VACUM GRIP AREA FREE OF BURR AND FECTOR PINS. MAX ϕ 4.0mm

CODE A (NATURAL)

CODE B (BLACK)



NO	DESCRIPTION	MATERIAL	FINISH/COLOR	Q'TY
⑤	020_D_COVER_HSG_BK	LCP	BLACK	1
④	020 SMT SOLDER PEG-LEFT (VTC)	BRASS	POST-TIN	1
③	020 SMT SOLDER PEG-RIGHT (VTC)	BRASS	POST-TIN	1
②	020 SMT TAB TML (VTC)	BRASS	POST-TIN	10
①	020_D_SMT_IOM_V_HSG_BK	PA9T GF30	BLACK	1
①	020_D_SMT_IOM_V_HSG_NR	PA9T GF30	NATURAL	1

DRWN	DR KOO	(주)우주 일렉트로닉스 UJU Electronics co.,Ltd.	NAME				
CHKD	KH PARK		020_D_SMT_IOM_V_ASSY				
APVD	CY CHOI		DRAWING NO. KH1800028				
MATERIAL	SEE TABLE	CUSTOMER	DRAWING				
FINISH/COLOR	SEE TABLE	LOC	RESTRICTED TO	SIZE	SCALE	SHEET	REV
WEIGHT	-	-	-	A2	5:1	1 OF 1	C

TOLERANCES UNLESS OTHERWISE SPECIFIED	UNIT MM
0	THIRD ANGLE PROJECTION
0.0	
0.00	
0.000	
0.0000	
ANGLES	
PRODUCT SPEC	APPLICATION SPEC
-	-

NO	DESCRIPTION	CODE	ASS'Y PART NO.	REV.
B	020_D_SMT_IOM_V_ASSY_BK		KH1800028-21	C
A	020_D_SMT_IOM_V_ASSY_NR		KH1800028-10	C