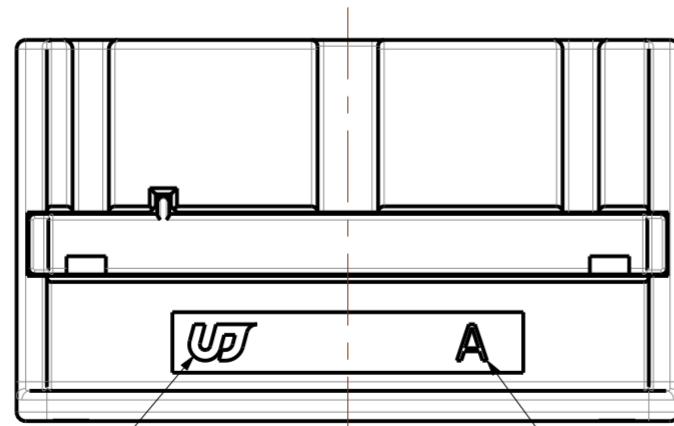
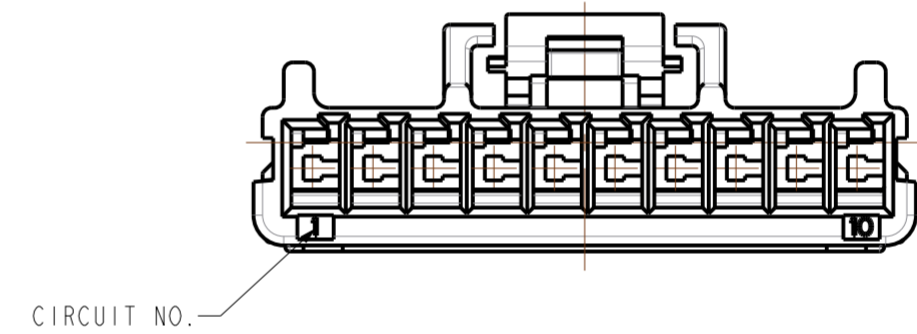
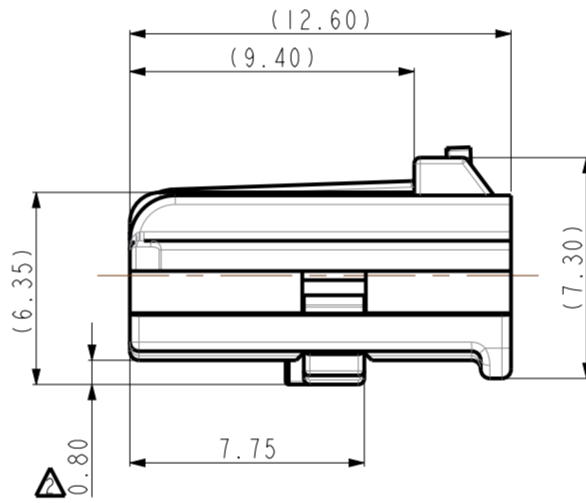
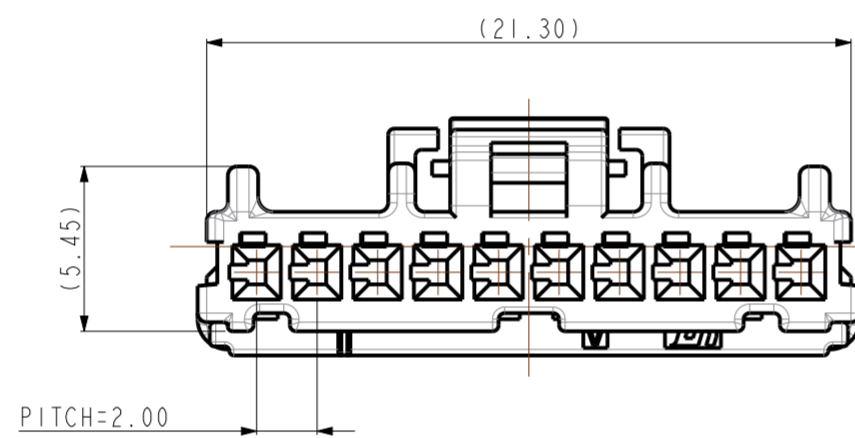
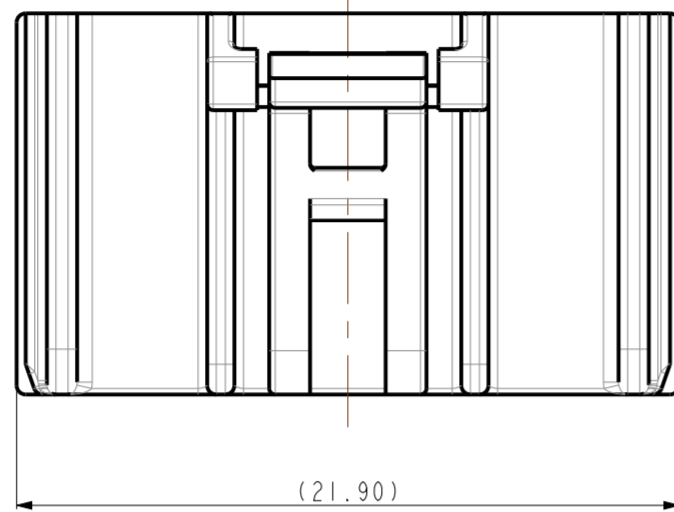
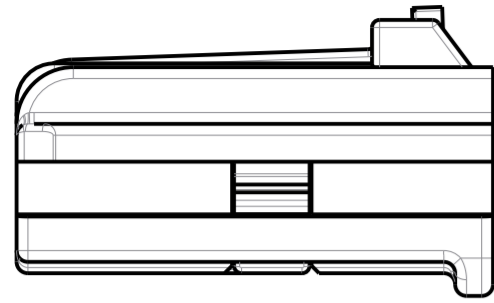


TPA SECONDARY LOCK POSITION

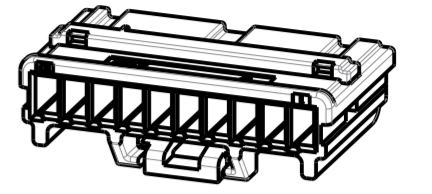
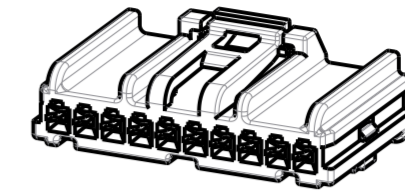
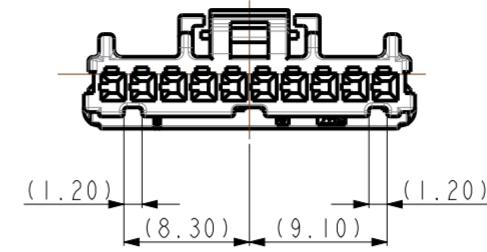
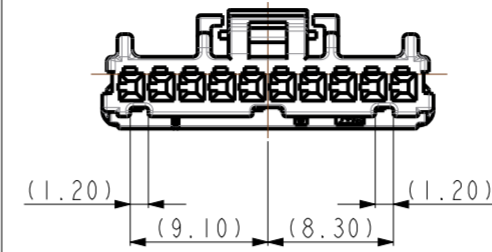


UJU LOGO.

CAVITY NO.

CODE A
(NATURAL)

CODE B
(BLACK)



ISO VIEW

REV	REVISION RECORD	DATE	DRWN	CHKD	APVD
A	RELEASED	21.NOV'19	DR	KH	CY
B	REVISED (RD-2020-020)	24.FEB'20	DR	KH	CY

NOTE.

1. GENERAL TOLERANCE : $\pm 0.3, \pm 3^\circ$

Δ DELIVERY CONDITION : TPA FIRST LOCK POSITION

3. BURR 0.3 MAX.

4. NO CRACK.

5. ALL LETTERS SHALL BE CLEAR AND LEGIBLE

TOLERANCES UNLESS OTHERWISE SPECIFIED	UNIT MM
0	±
0.0	±
0.00	±
0.000	±
0.0000	±
ANGLES	±
PRODUCT SPEC	APPLICATION SPEC
-	-

THIRD ANGLE PROJECTION	
WEIGHT	-

DRWN	DR KOO
CHKD	KH PARK
APVD	CY CHOI
MATERIAL	SEE TABLE
FINISH/COLOR	SEE TABLE

NO	DESCRIPTION	MATERIAL	FINISH/COLOR	Q'TY
2	020_D_10P_TPA_HSG_GN	PBT GF10	GREEN	1
1	020_D_10F_HSG_BK	PBT GF10	BLACK	1
1	020_D_10F_HSG_NR	PBT GF10	NATURAL	1

(주)우주 일렉트로닉스 UJU Electronics co.,Ltd.	
NAME	020_D_10F_ASSY
CUSTOMER DRAWING	DRAWING NO KH1800025
LOC	RESTRICTED TO
SIZE	SCALE
A2	5:1
SHEET	1 OF 1
REV	B

CODE	ASS'Y P/N	REV.
020_D_10F_ASSY_BK	B	KH1800025-21
020_D_10F_ASSY_NR	A	KH1800025-10