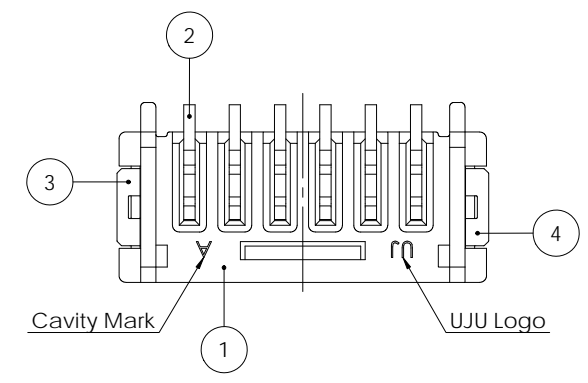
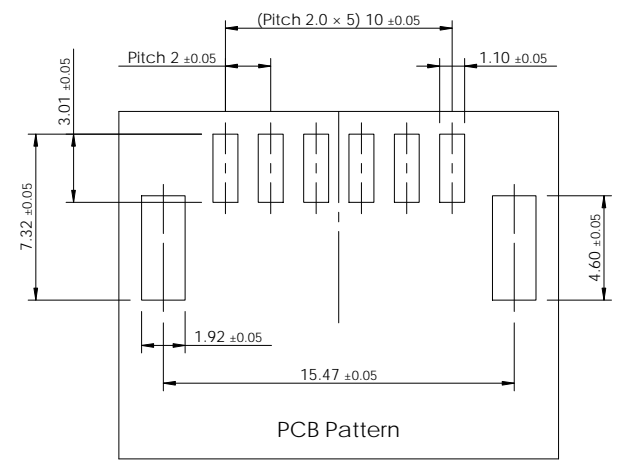
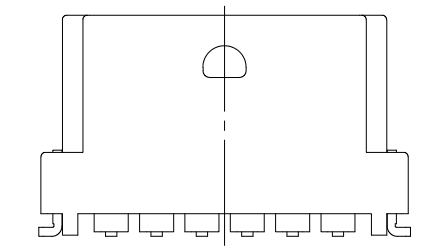
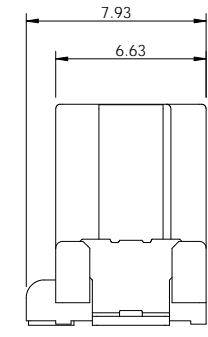
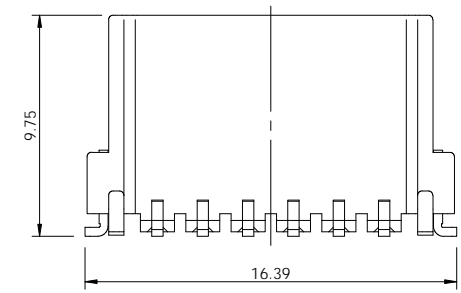
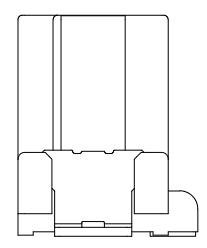
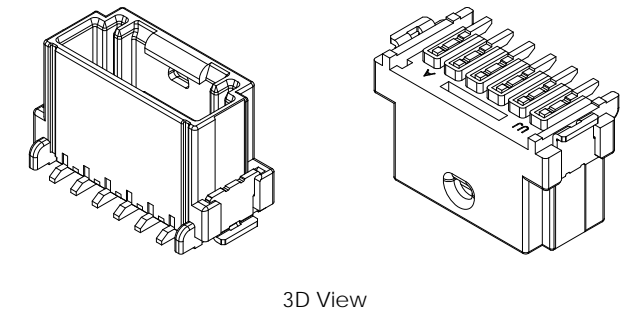
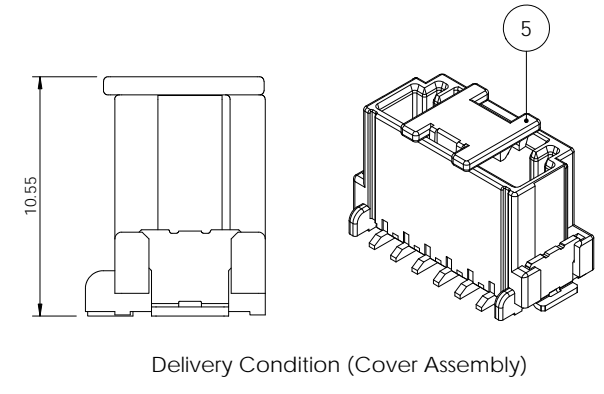
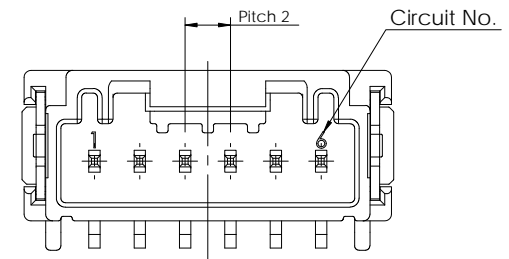


REV	REVISION RECORD	DATE	DRWN	CHKD	APVD
A	RELEASED (RD-2020-126)	08 OCT '20	JK	KH	CY



-Note-
1. General Tolerance : ±0.30

No.	Description	Material	Finish / Color	Q'ty	Ass'y Part No.
5	020_S_BL_SMT_Cover	PA9T-GF30	Black	1	KH1800015-20
4	020 S SMT Solder Peg VTC-R	Copper Alloy	Post-Sn	1	KH1800015-10
3	020 S SMT Solder Peg VTC-L	Copper Alloy	Post-Sn	1	KH1800015-10
2	020 S SMT Tab TML VTC_Au	Copper Alloy	Post-Au/Sn	6	KH1800015-10
1	020_S_BL_SMT_6M_V_HSG	PA9T-GF30	Black	1	-
			Natural	-	1

TOLERANCES UNLESS OTHERWISE SPECIFIED	UNIT MM
0 ±	THIRD ANGLE PROJECTION
0.0 ±	ANGLES
0.00 ±	PRODUCT SPEC
0.000 ±	APPLICATION SPEC
0.0000 ±	WEIGHT

DRWN JK. HWANG	NAME	020_S_BL_SMT_6M_V_ASSY_Au			
CHKD KH. PARK	MATERIAL	SEE TABLE			
APVD CY. CHOI	FINISH/COLOR	SEE TABLE			
CUSTOMER DRAWING		DRAWING NO. KH1800015			
LOC	RESTRICTED TO	SIZE A3	SCALE 3:1	SHEET 1 of 1	REV A