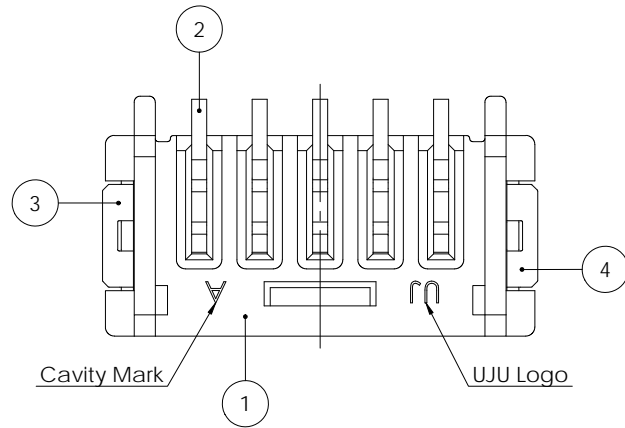
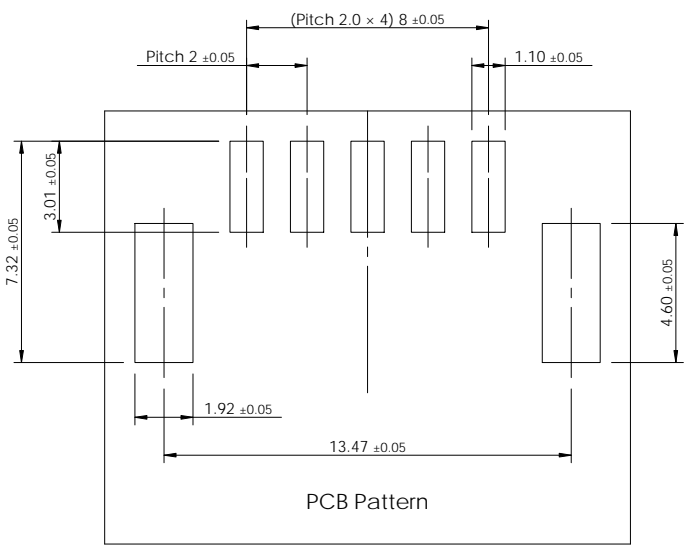
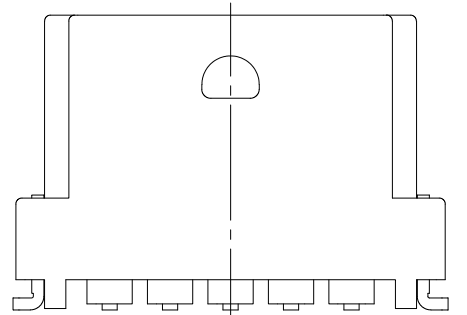
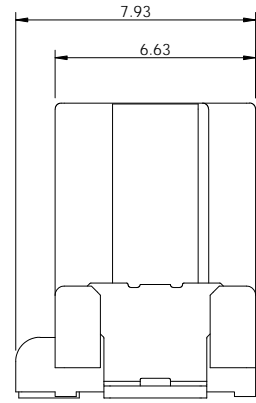
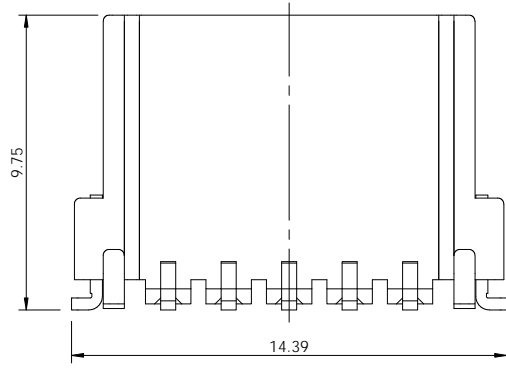
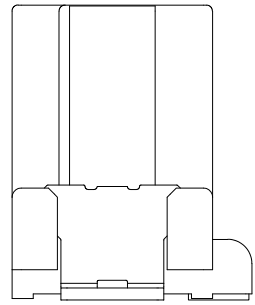


REV	REVISION RECORD	DATE	DRWN	CHKD	APVD
A	RELEASED	01 FEB '19	JK	SH	CY

Delivery Condition (Cover Assembly)

3D View



-Note-

1. General Tolerance : ±0.30

No.	Description	Material	Finish / Color	Q'ty
5	020_S_BL_SMT_Cover	PA9T-GF30	Black	1
4	020 S SMT Solder Peg VTC-R	Copper Alloy	Post-Sn	1
3	020 S SMT Solder Peg VTC-L	Copper Alloy	Post-Sn	1
2	020 S SMT Tab TML VTC_Au	Copper Alloy	Post-Au/Sn	5
1	020_S_BL_SMT_5M_V_HSG	PA9T-GF30	Black	1
			Natural	-
				1

KH1800014-20	KH1800014-10	Ass'y Part No.
--------------	--------------	----------------

TOLERANCES UNLESS OTHERWISE SPECIFIED		UNIT <b>MM</b>	THIRD ANGLE PROJECTION	DRWN JK. HWANG	CHKD SH. LEE	APVD CY. CHOI	NAME <b>020_S_BL_SMT_5M_V_ASSY_Au</b>
0 ±	0.0 ±	0.00 ±	0.000 ±	0.0000 ±	ANGLES ±	PRODUCT SPEC	APPLICATION SPEC
SEE TABLE		SEE TABLE		SEE TABLE		WEIGHT	
<b>(주)우주 일렉트로닉스</b> <b>UJU Electronics co.,Ltd.</b>				CUSTOMER DRAWING		DRAWING NO KH1800014	
LOC	RESTRICTED TO	SIZE A3	SCALE 4:1	SHEET 1 of 1	REV A		