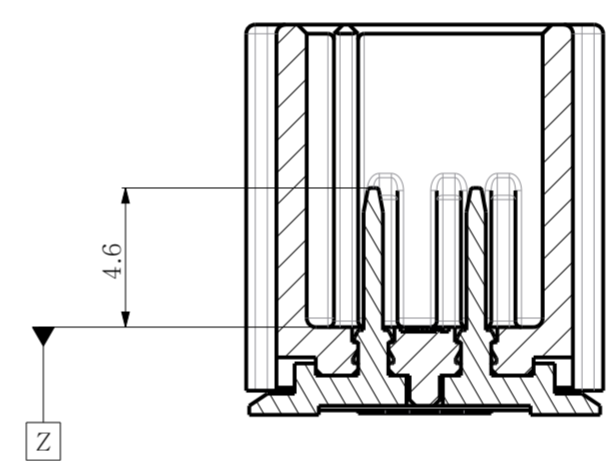
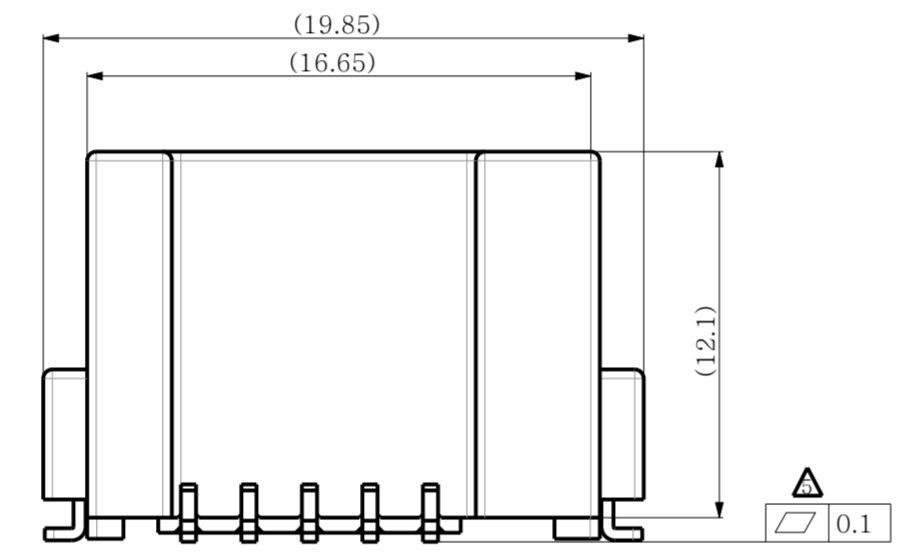
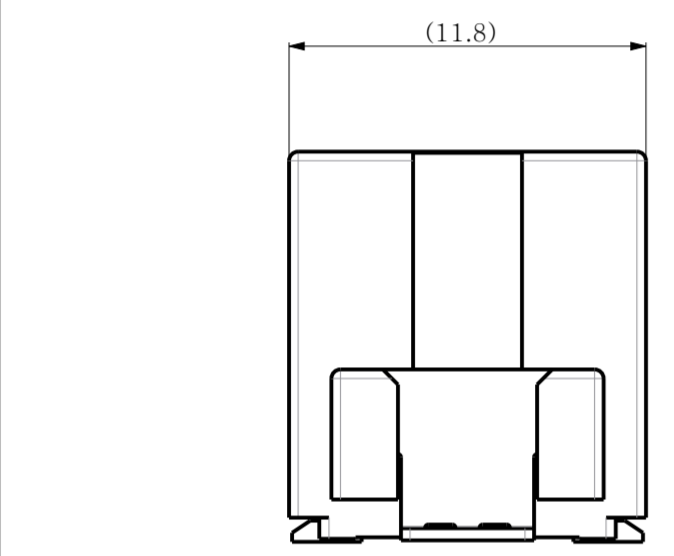
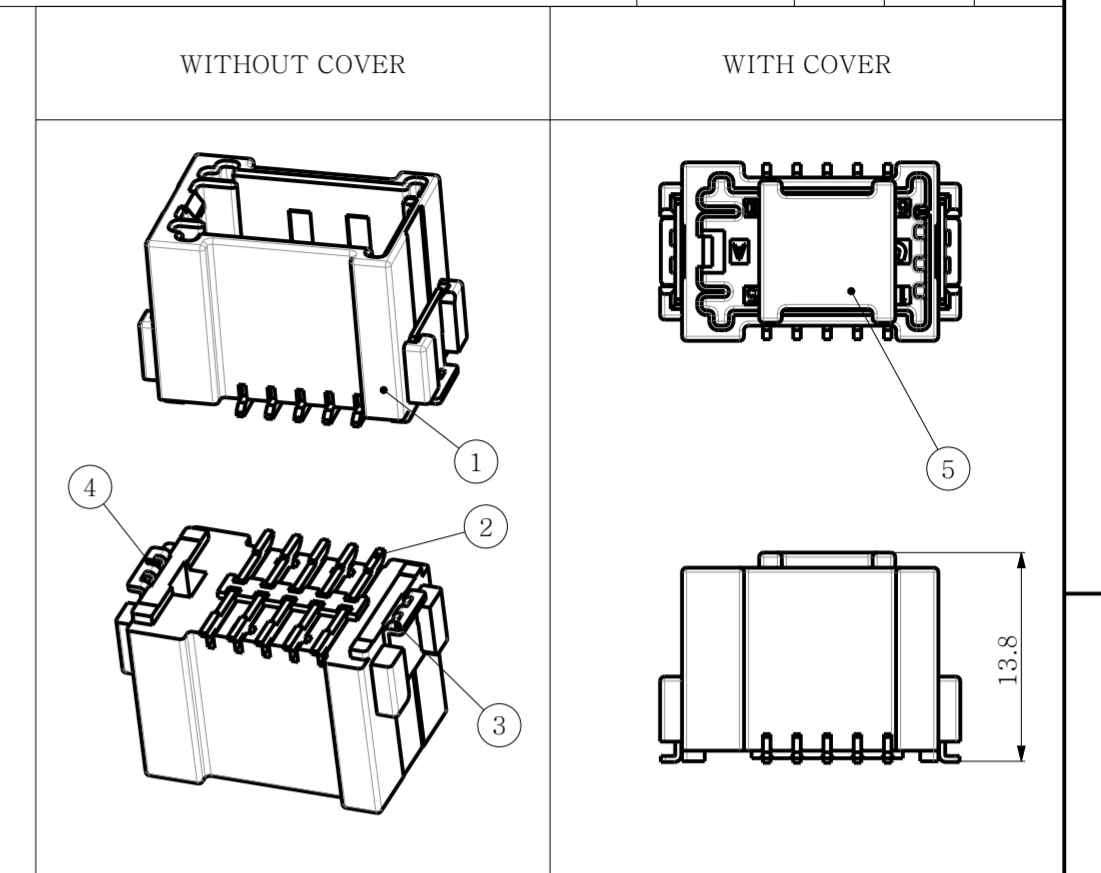
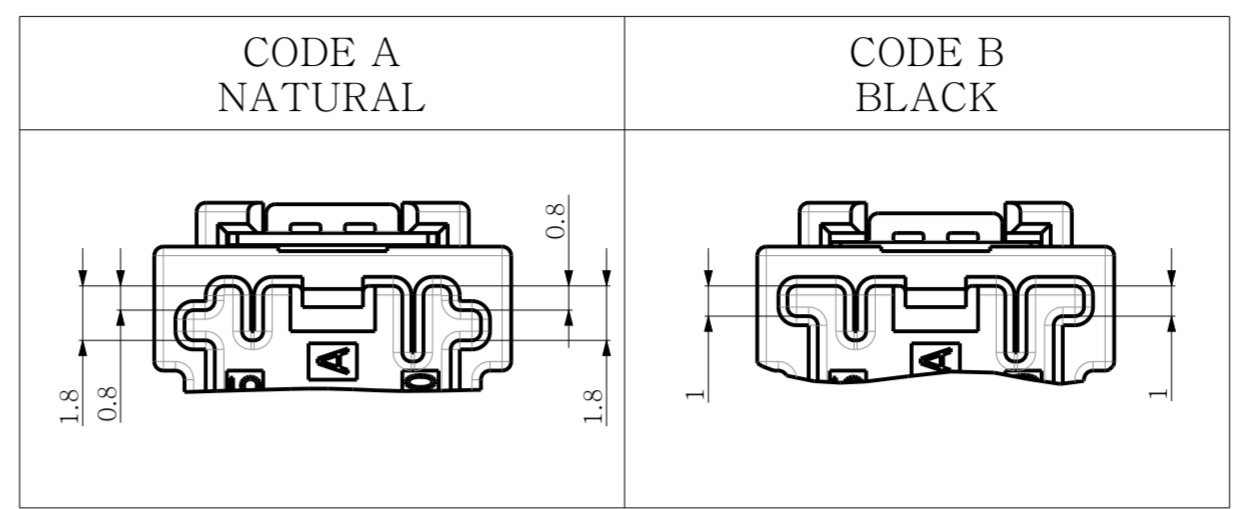
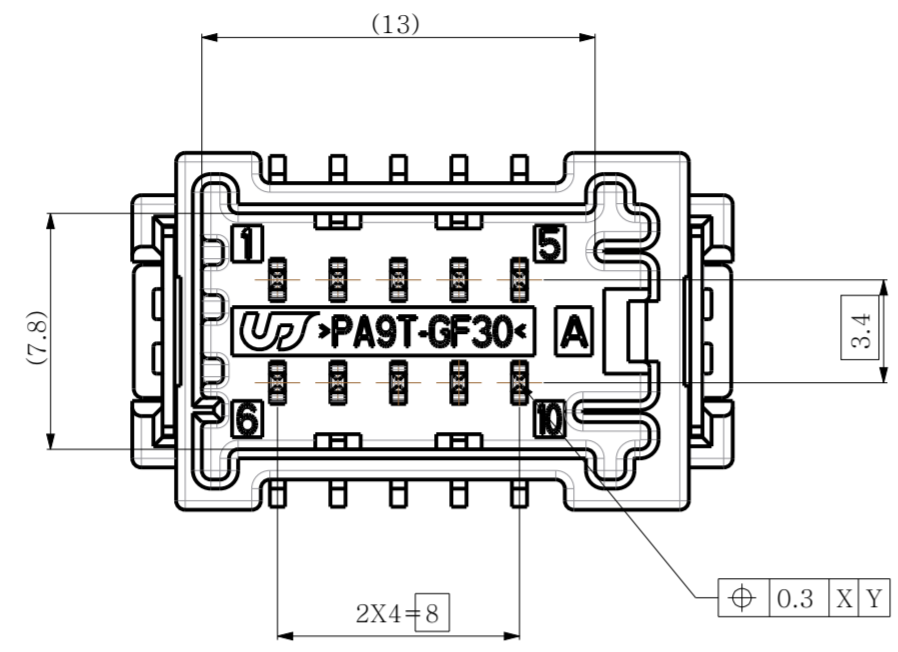
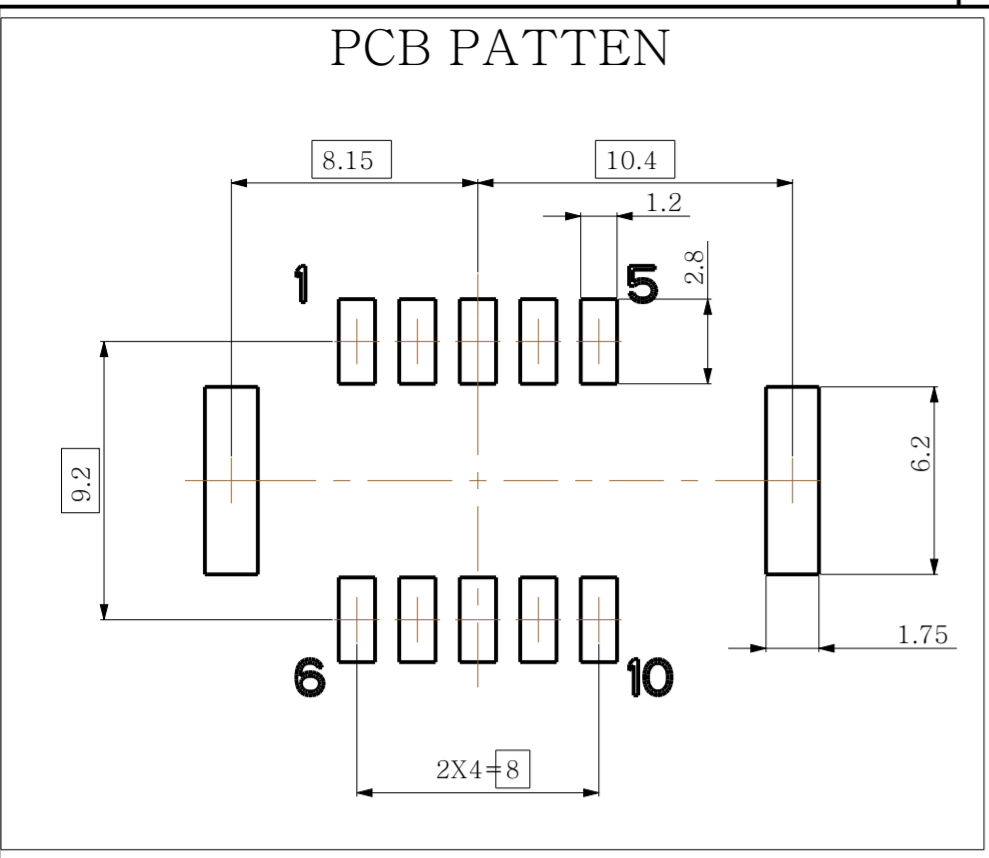
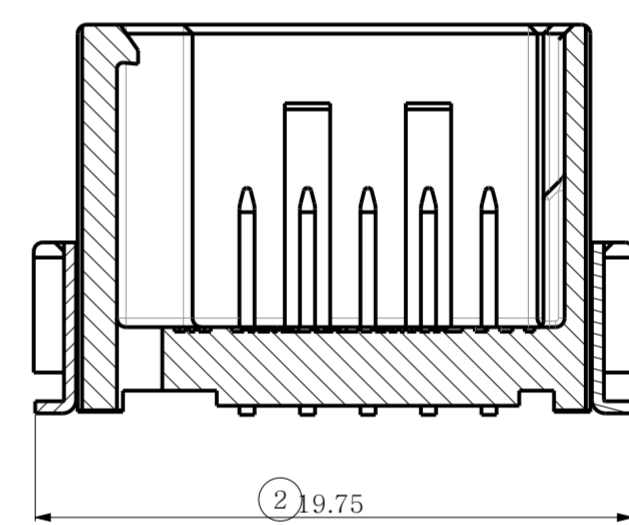


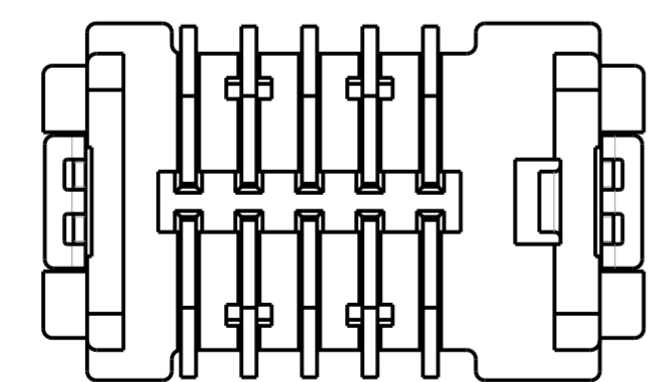
REV	REVISION RECORD	DATE	DRWN	CHKD	APVD
A	RELEASED	06.NOV.18	DR	KH	CY



SECTION A-A



SECTION B-B



NOTE.
 1. GENERAL TOLERANCE : $\pm 0.3, \pm 3^\circ$
 2. BURR SIDE IS NOT PERMITTED.
 3. NO CRACK.
 4. ALL LETTERS SHALL BE CLEAR AND LEGIBLE
 ▲ MEASURING THE DIMENSIONS OF TAB TML

ASSY DESCRIPTION	ASSY PART NO.	REV CODE
020_D_TR_SMT_10M_V_ASSY_BK	KH1800007-21	B
020_D_TR_SMT_10M_V_ASSY_NR	KH1800007-10	A

NO.	DESCRIPTION	CODE	MATERIAL	FINISH/COLOR	Q'TY
5	020_D_TR_COVER_HSG	-	PA9T-GF30	BLACK	1
4	025 SMT SOLDER PEG-L(VTC)	-	BRASS	POST-TIN	1
3	025 SMT SOLDER PEG-R(VTC)	-	BRASS	POST-TIN	1
2	020 SMT TAB TML (VTC)	-	BRASS	POST-TIN	10
1	020_D_TR_SMT_10M_V_HSG_BK	B	PA9T-GF30	BLACK	1
	020_D_TR_SMT_10M_V_HSG_NR	A	(G1300-A)	NATURAL	-

DRWN	DR KOO	 (주)우주일렉트로닉스 UJU Electronics co.,Ltd.			
CHKD	KH PARK				
APVD	CY CHOI				
NAME		020_D_TR_SMT_10M_V_ASSY			
DRAWING		KH1800007			
LOC	RESTRICTED TO	SIZE	SCALE	SHEET	REV
-	-	A2	1:1	1 OF 1	A

TOLERANCES UNLESS OTHERWISE SPECIFIED	UNIT MM
0	±
0.0	±
0.00	±
0.000	±
0.0000	±
ANGLES	±
PRODUCT SPEC	APPLICATION SPEC
-	-

