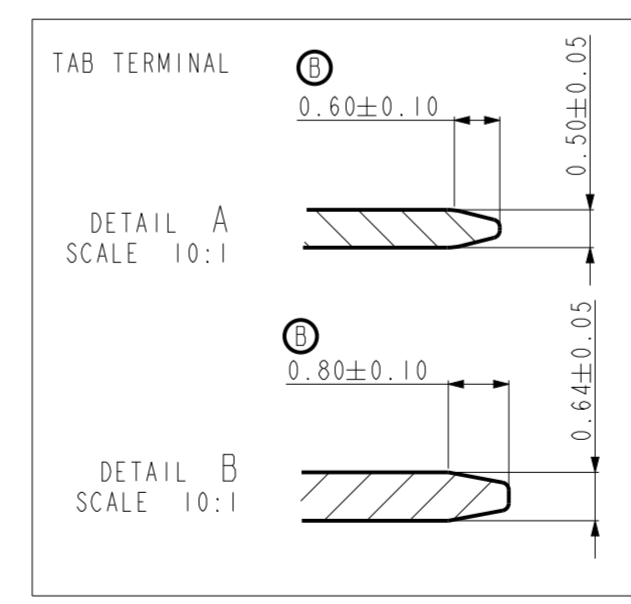
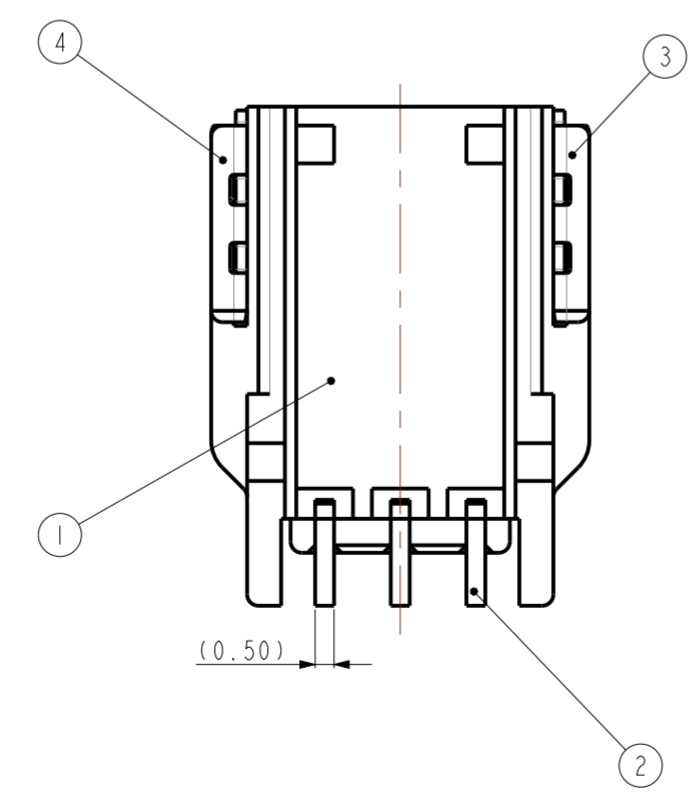
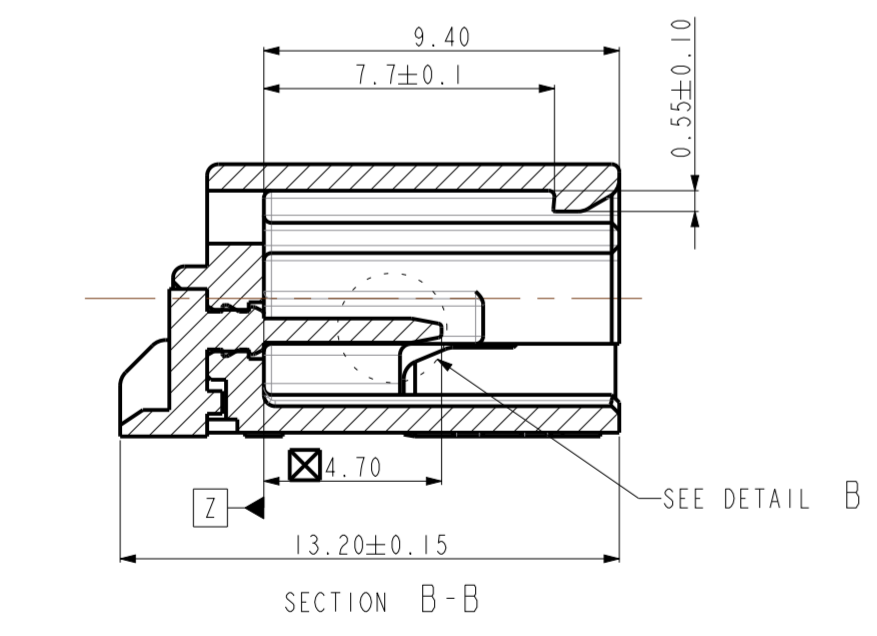
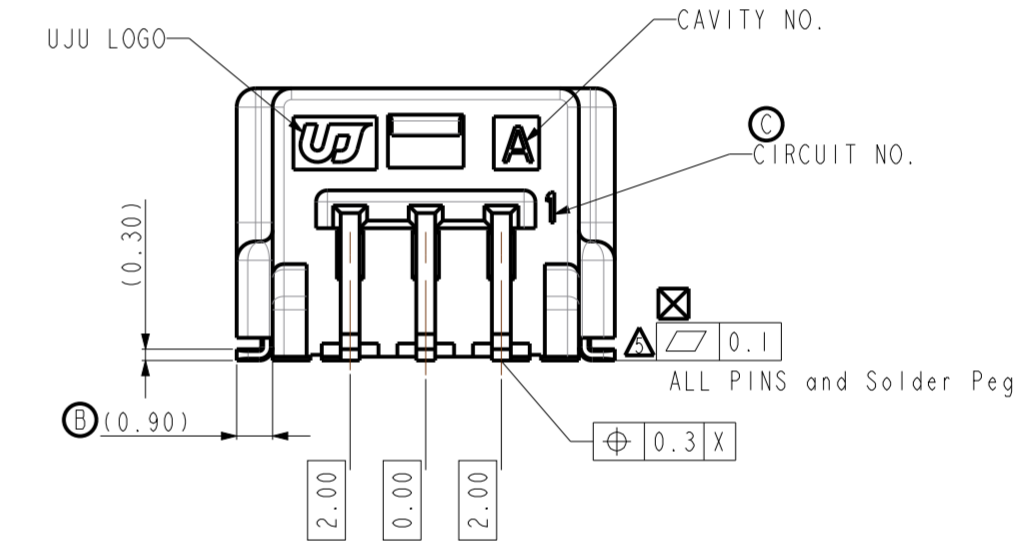
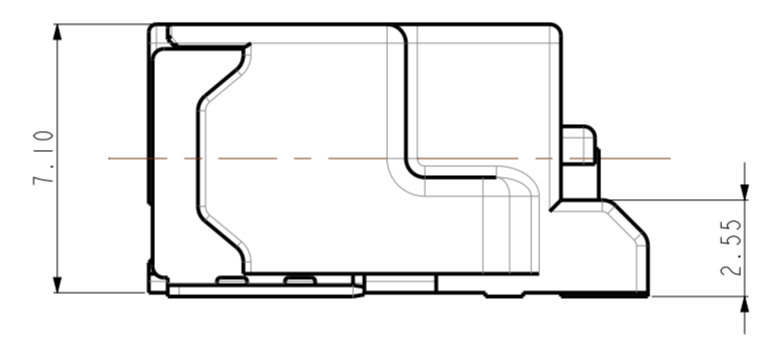
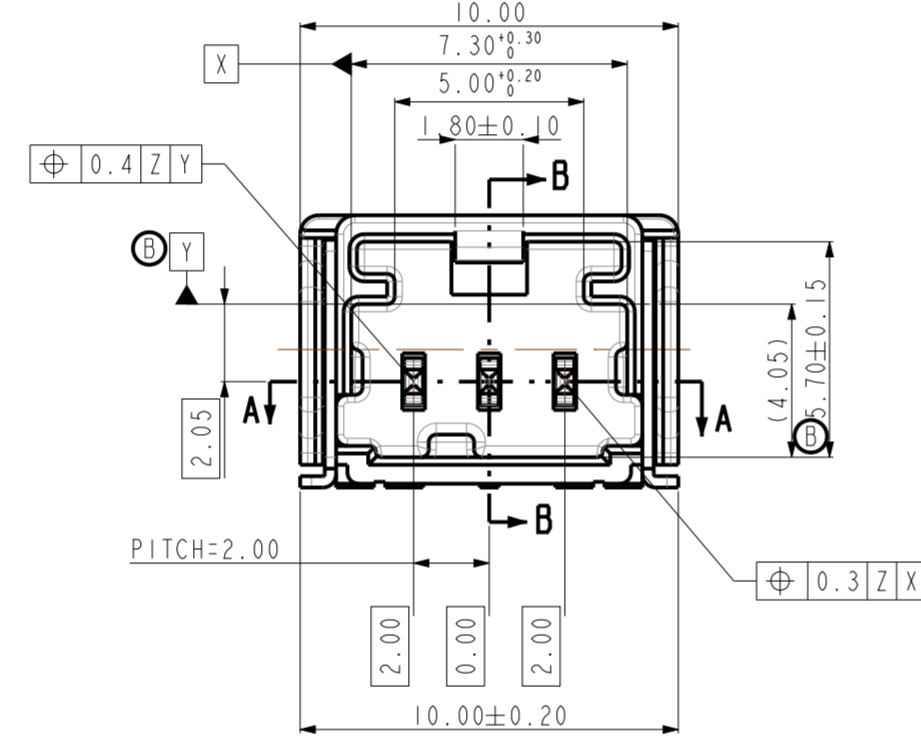
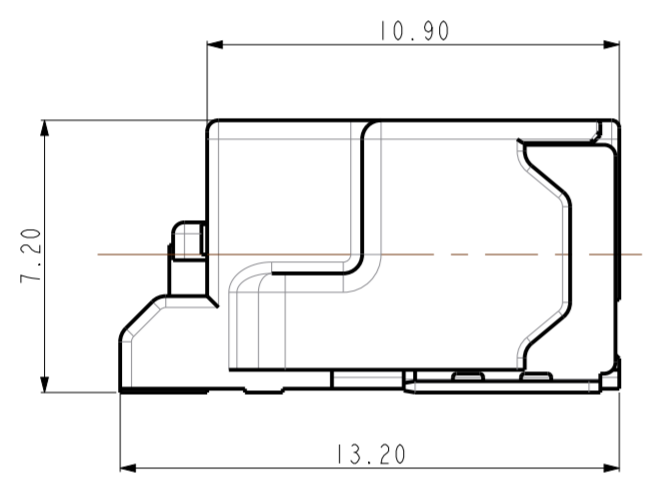
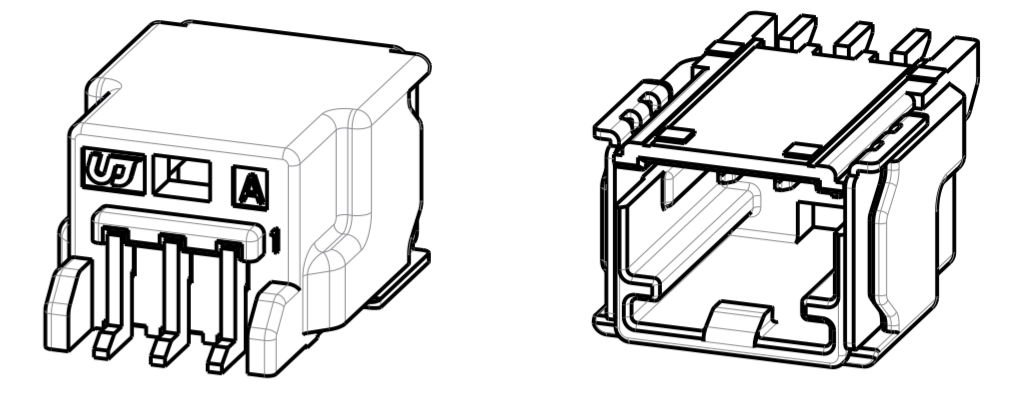
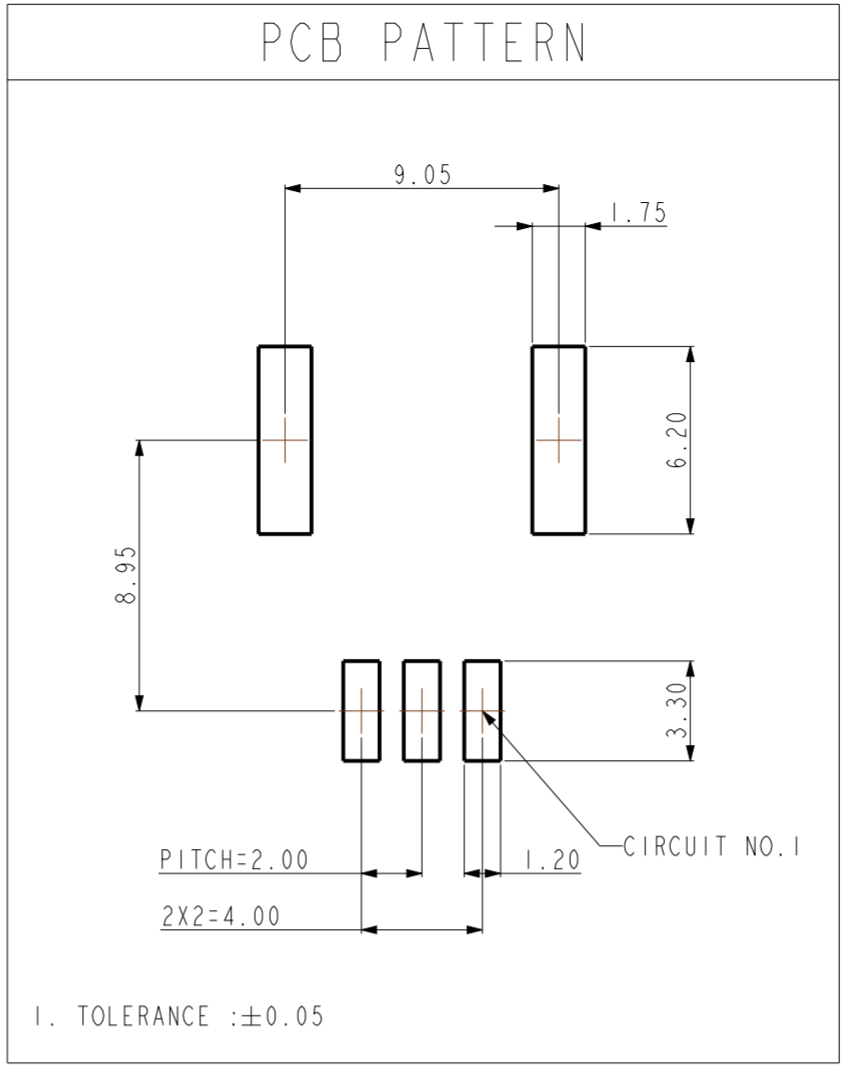
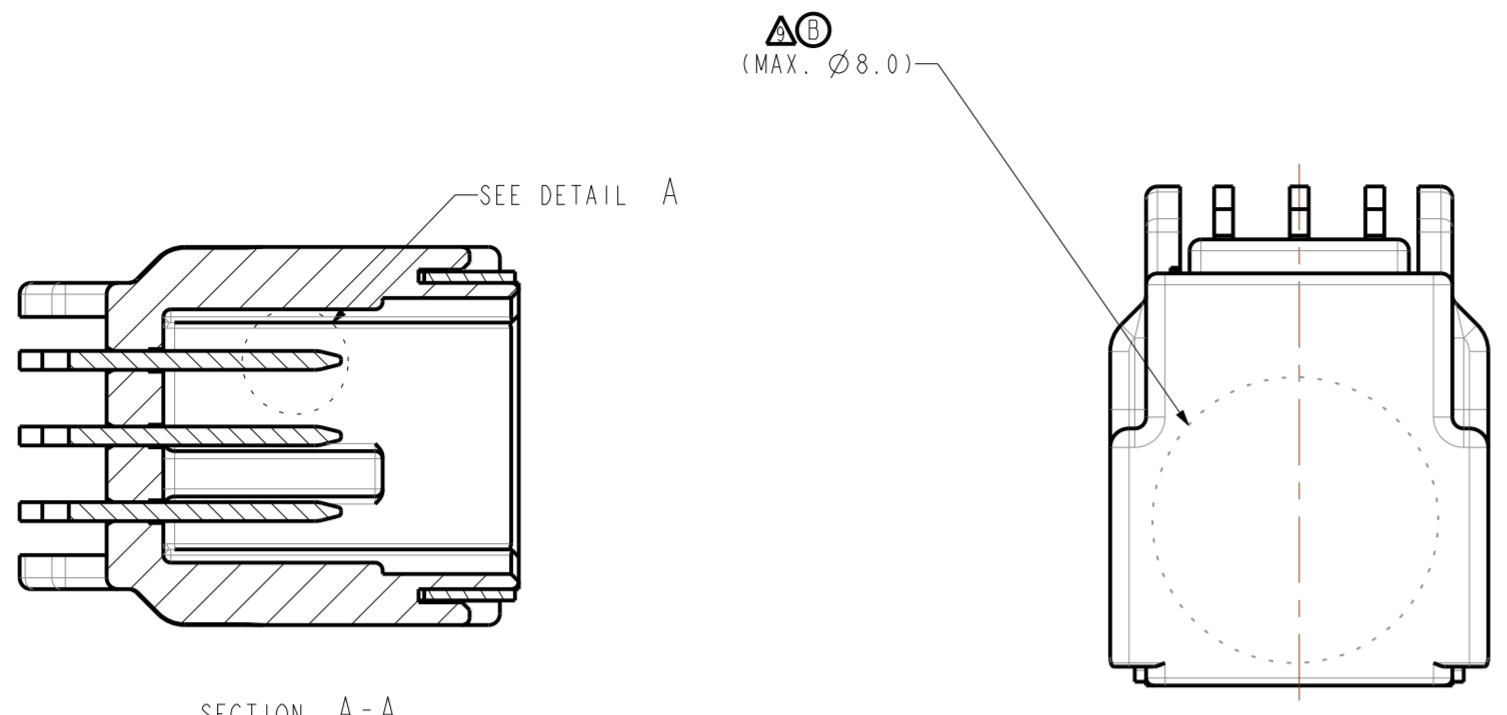
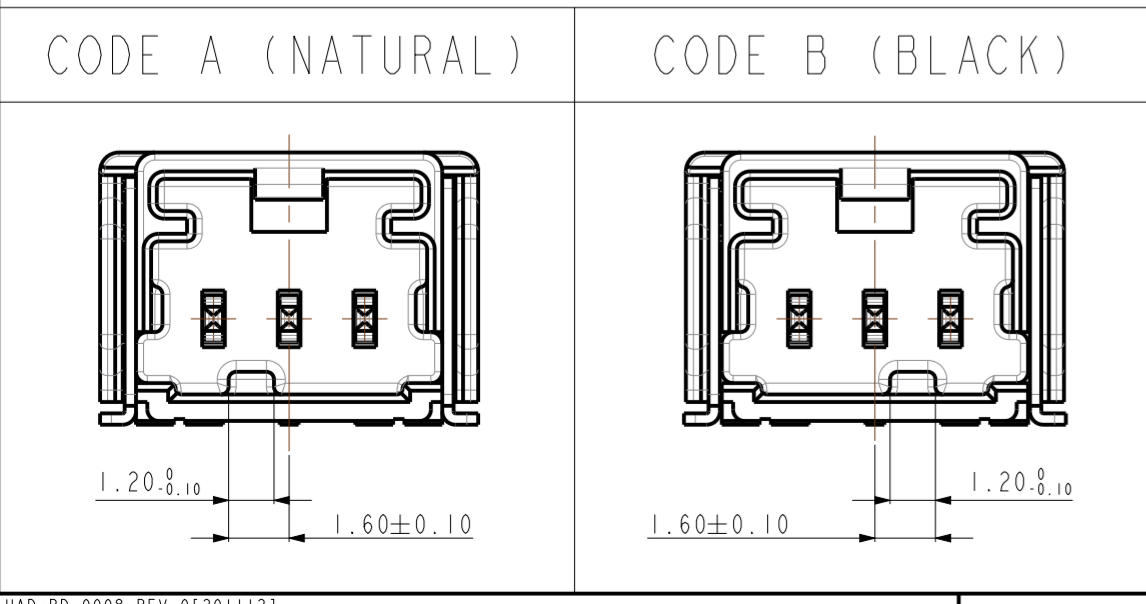


REV	REVISION RECORD	DATE	DRWN	CHKD	APVD
A	RELEASED	21.JUN'19	DR	KH	CY
B	REVISED (RD-2020-029)	09.MAR'20	DR	KH	CY
C	REVISED (RD-2020-140)	23.OCT'20	DR	KH	CY



- NOTE.
- GENERAL TOLERANCE : REFER TO DINI6742 TG5 SPECIFICATION
  - BURR 0.3 MAX.
  - NO CRACK
  - ALL LETTERS SHALL BE CLEAR AND LEGIBLE
  - MEASURING THE DIMENSIONS OF TAB TML AND SOLDER PEG.
  - FINISH TAB TML AND SOLDER PEG  
TIN PLATING : 2.0~4.0um MATTE OVER NICKEL PLATING 0.8~2.0um MATTE
  - PACKING : EMBOSS TAPE
  - FLAMMABILITY : UL94 - HB
  - VACUM GRIP AREA FREE OF BURR AND FECTOR PINS. MAX Ø8.0mm



NO	DESCRIPTION	MATERIAL	FINISH/COLOR	Q'TY
④	020 SMT SOLDER PEG-LEFT (HZT)	BRASS	POST-TIN	1 1
③	020 SMT SOLDER PEG-RIGHT (HZT)	BRASS	POST-TIN	1 1
②	020 SMT TAB TML (HZT)	BRASS	POST-TIN	3 3
①	020_D-SMT_3M_H-HSG_BK	PA9T GF30	BLACK	1 -
①	020_D-SMT_3M_H-HSG_NR	PA9T GF30	NATURAL	- 1

DRWN	DR KOO	(주)우주 일렉트로닉스 UJU Electronics co.,Ltd.						
CHKD	KH PARK							
APVD	CY CHOI	NAME	020_D-SMT_3M_H_ASSY_G					
TOLERANCES UNLESS OTHERWISE SPECIFIED	UNIT MM	MATERIAL	SEE TABLE					
		FINISH/COLOR	SEE TABLE					
PRODUCT SPEC	APPLICATION SPEC	WEIGHT	LOC	RESTRICTED TO	SIZE	SCALE	SHEET	REV
-	-	-	-	-	A2	5:1	1 OF 1	C