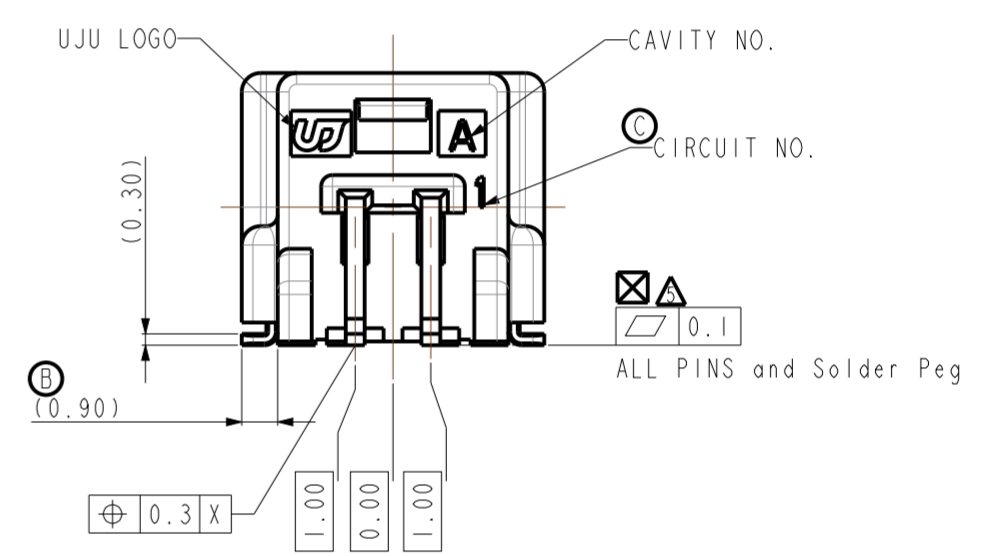
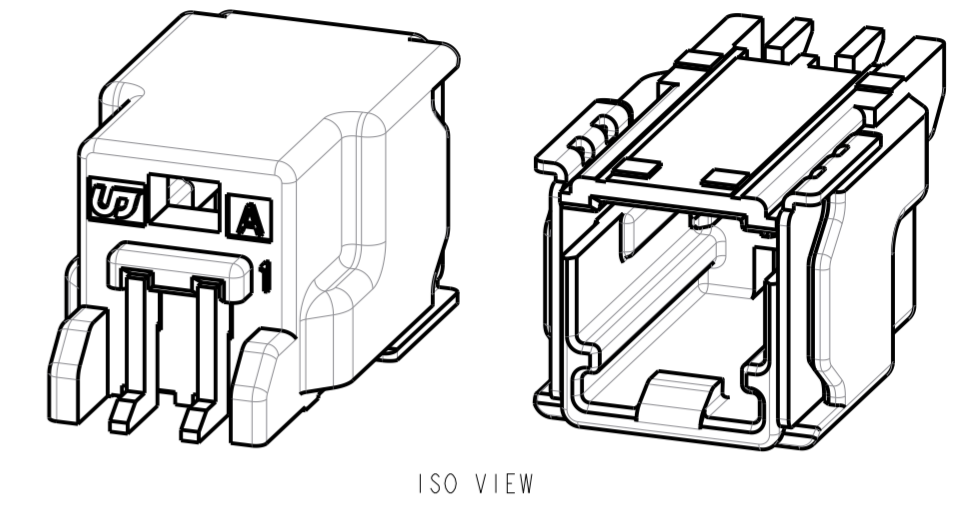
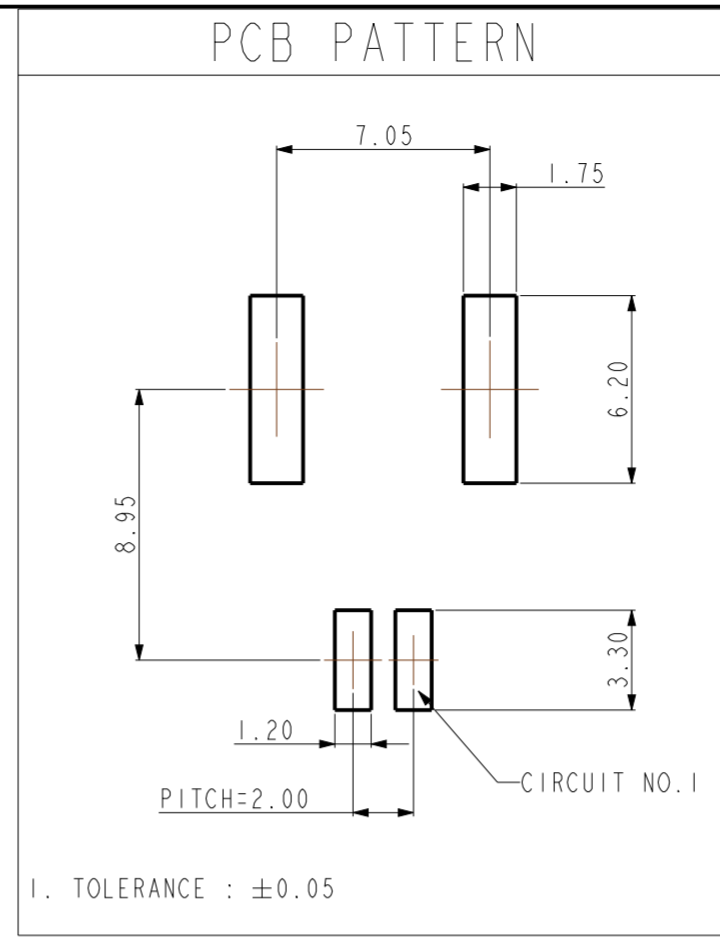


REV	REVISION RECORD	DATE	DRWN	CHKD	APVD
A	RELEASED	21.JUN'19	DR	KH	CY
B	REVISED (RD-2020-029)	09.MAR'20	DR	KH	CY
C	REVISED (RD-2020-140)	23.OCT'20	DR	KH	CY



- NOTE.
- GENERAL TOLERANCE : REFER TO DINI6742 TG5 SEPCIFICATION.
 - BURR 0.3 MAX.
 - NO CRACK
 - ALL LETTERS SHALL BE CLEAR AND LEGIBLE
 - MEASURING THE DIMENSIONS OF TAB TML AND SOLDER PEG.
 - FINISH TAB TML AND SOLDER PEG
TIN PLATING : 2.0~4.0um MATTE OVER NICKEL PLATING 0.8~2.0um MATTE
 - PACKING : EMBOSS TAPE
 - FLAMMABILITY : UL94 - HB
 - VACUM GRIP AREA FREE OF BURR AND FECTOR PINS. MAX Ø6.0mm

NO	DESCRIPTION	MATERIAL	FINISH/COLOR	Q'TY
④	020 SMT SOLDER PEG-LEFT (HZT)	BRASS	POST-TIN	1 1
③	020 SMT SOLDER PEG-RIGHT (HZT)	BRASS	POST-TIN	1 1
②	020 SMT TAB TML (HZT)	BRASS	POST-TIN	2 2
①	020_D-SMT_2M_H-HSG_BK	PA9T GF30	BLACK	1 -
①	020_D-SMT_2M_H-HSG_NR	PA9T GF30	NATURAL	- 1

DRWN	DR KOO	(주)우주 일렉트로닉스 UJU Electronics co.,Ltd.					
CHKD	KH PARK						
APVD	CY CHOI	NAME	020_D-SMT_2M_H_ASSY_G				
MATERIAL	SEE TABLE	CUSTOMER	DRAWING NO				
FINISH/COLOR	SEE TABLE	DRAWING	KH1710110				
WEIGHT	-	LOC	RESTRICTED TO	SIZE	SCALE	SHEET	REV
-	-	-	-	A2	5:1	1 OF 1	C

