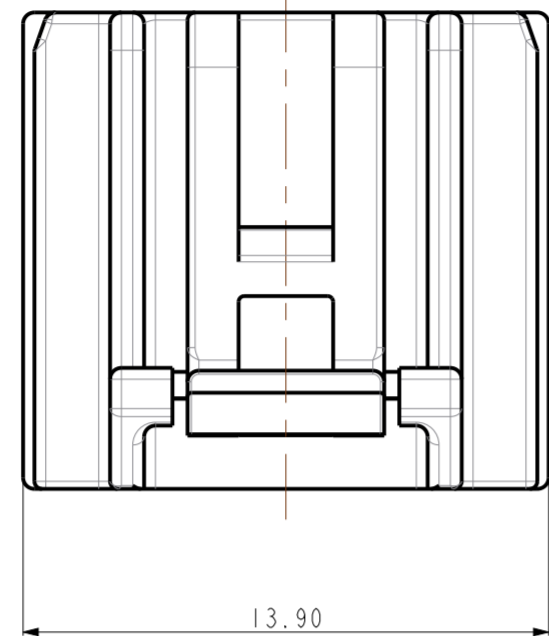
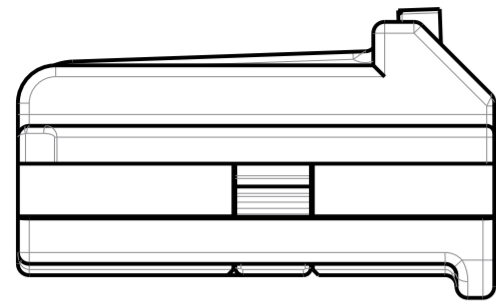
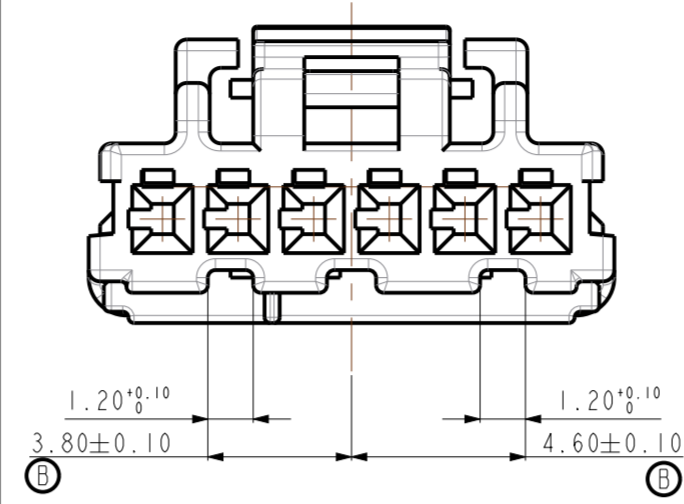


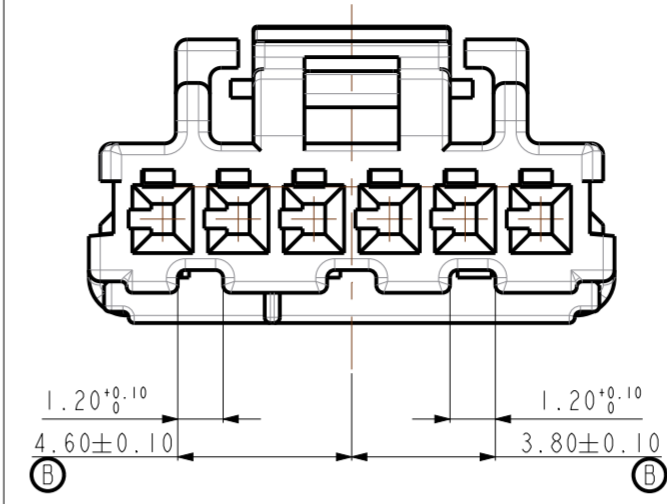
TPA SECONDARY LOCK POSITION



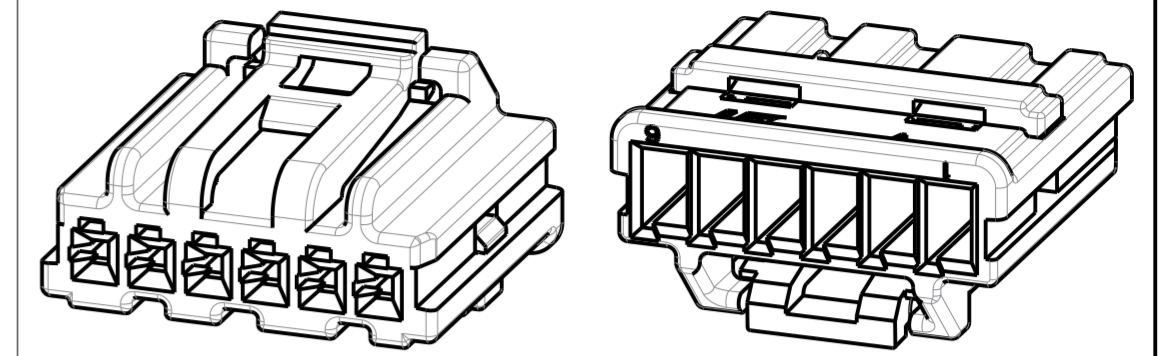
CODE A  
(NATURAL)



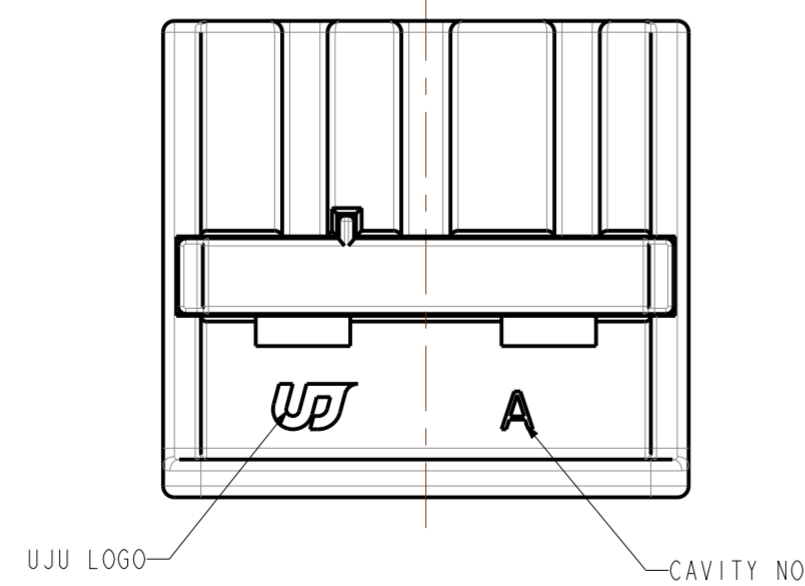
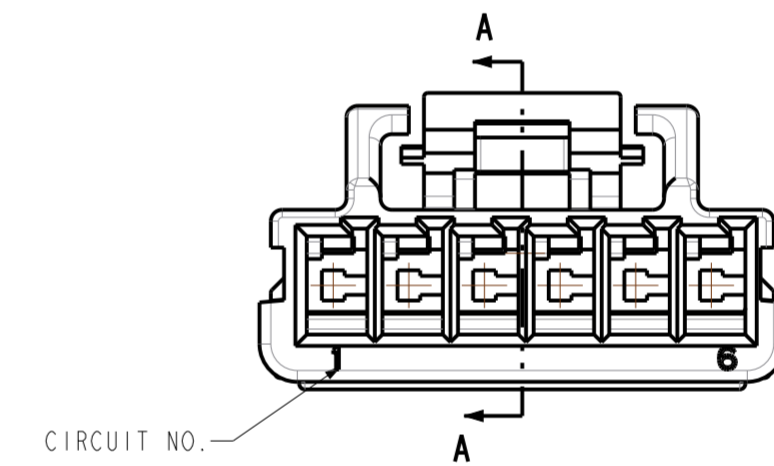
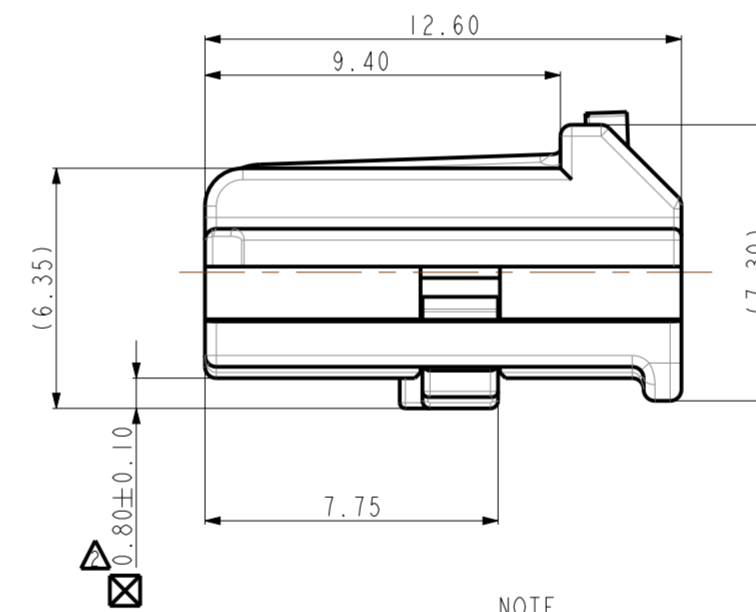
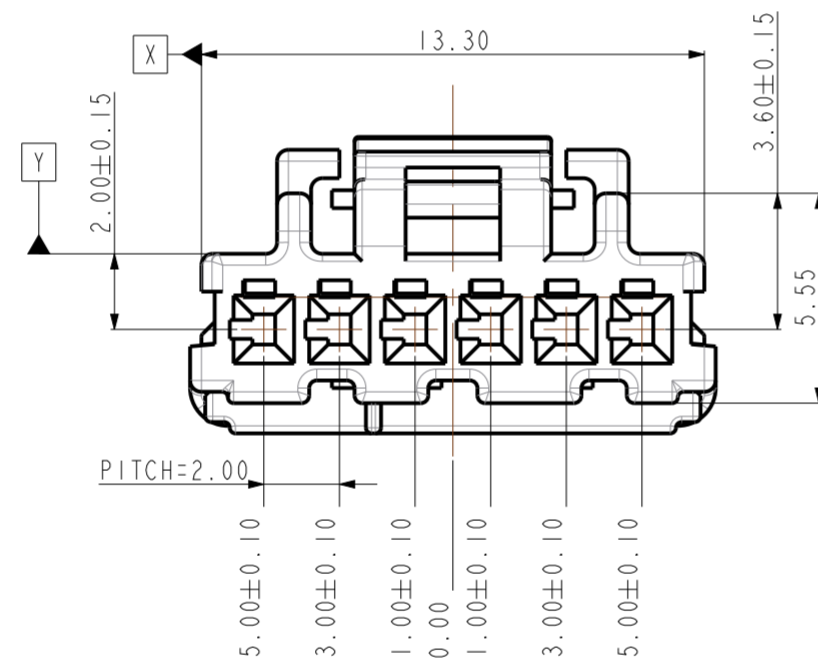
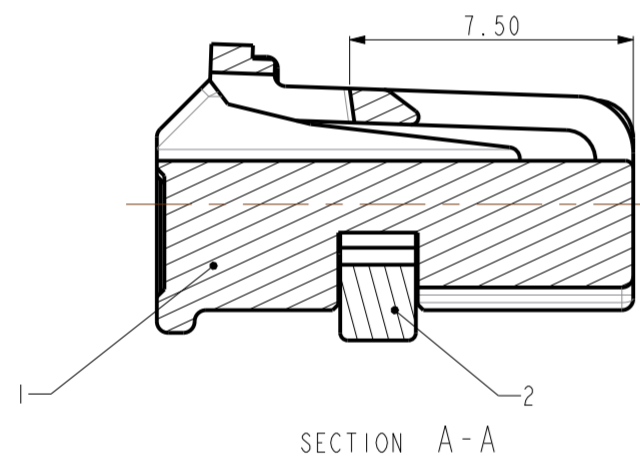
CODE B  
(BLACK)



REV	REVISION RECORD	DATE	DRWN	CHKD	APVD
A	RELEASED	21.JUN'19	DR	KH	CY
B	REVISED (RD-2020-029)	09.MAR'20	DR	KH	CY



ISO VIEW



- NOTE.
- GENERAL TOLERANCE : REFER TO DINI6742 TG6 SEPCIFICATION.
  - DELIVERY CONDITION : TPA FIRST LOCK POSITION
  - BURR 0.3 MAX.
  - NO CRACK.
  - ALL LETTERS SHALL BE CLEAR AND LEGIBLE
  - PACKING :TRAY
  - APPLICABLE RECEPTACLE TERMINAL :
    - FEMALE CONTACT : 020\_D\_F\_TML\_G
    - PART NO. : KHI710007-22
    - WIRE SIZE RANGE : 0.3 ~0.5mm<sup>2</sup>
    - MATERIAL : C64750-H(CuNiSi-H)
    - FINISH : 0.8um Min. TIN PLATED (REFLOW)  
OVER 0.5um Min COPPER (MATTE)
  - FLAMMABILITY : UL94 - HB

NO	DESCRIPTION	MATERIAL	FINISH/COLOR	Q'TY
2	020_D_6P_TPA_HSG_GN	PBT GF10	GREEN	1
1	020_D_6F_HSG_BK	PBT GF10	BLACK	1
1	020_D_6F_HSG_NR	PBT GF10	NATURAL	1

DESCRIPTION	CODE	ASS'Y	PART NO	REV.
020_D_6F_ASSY_BK_G	B		KHI710107-21	B
020_D_6F_ASSY_NR_G	A		KHI710107-10	B

DRWN DR KOO	(주)우주 일렉트로닉스 UJU Electronics co.,Ltd.	NAME			
CHKD KH PARK		020_D_6F_ASSY_G			
APVD CY CHOI		DRAWING NO KHI710107			
TOLERANCES UNLESS OTHERWISE SPECIFIED	UNIT MM	MATERIAL SEE TABLE	CUSTOMER DRAWING	SCALE A2	REV B
0 ±	THIRD ANGLE PROJECTION	FINISH/COLOR SEE TABLE	RESTRICTED TO	SHEET 1 OF 1	
0.0 ±		WEIGHT	LOC		
0.00 ±	APPLICATION SPEC				
0.000 ±					
0.0000 ±					
ANGLES ±					
PRODUCT SPEC					