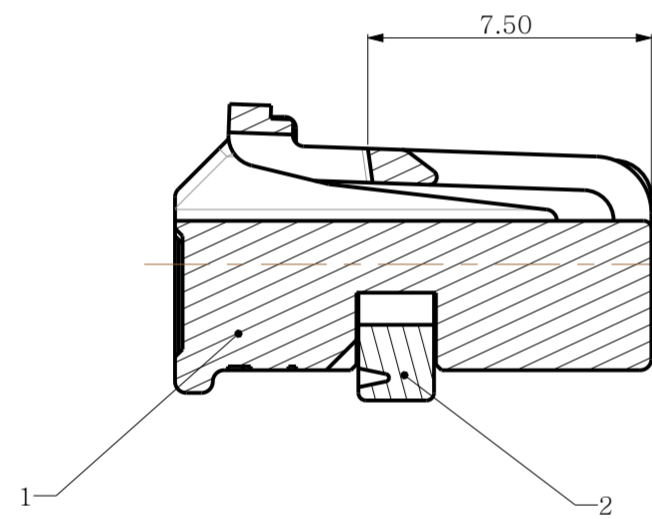
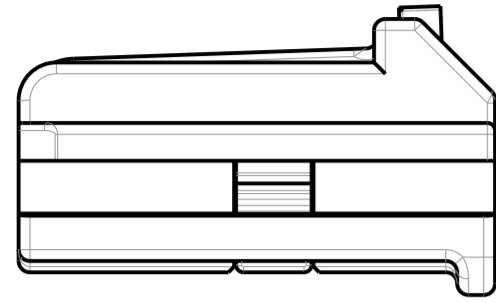
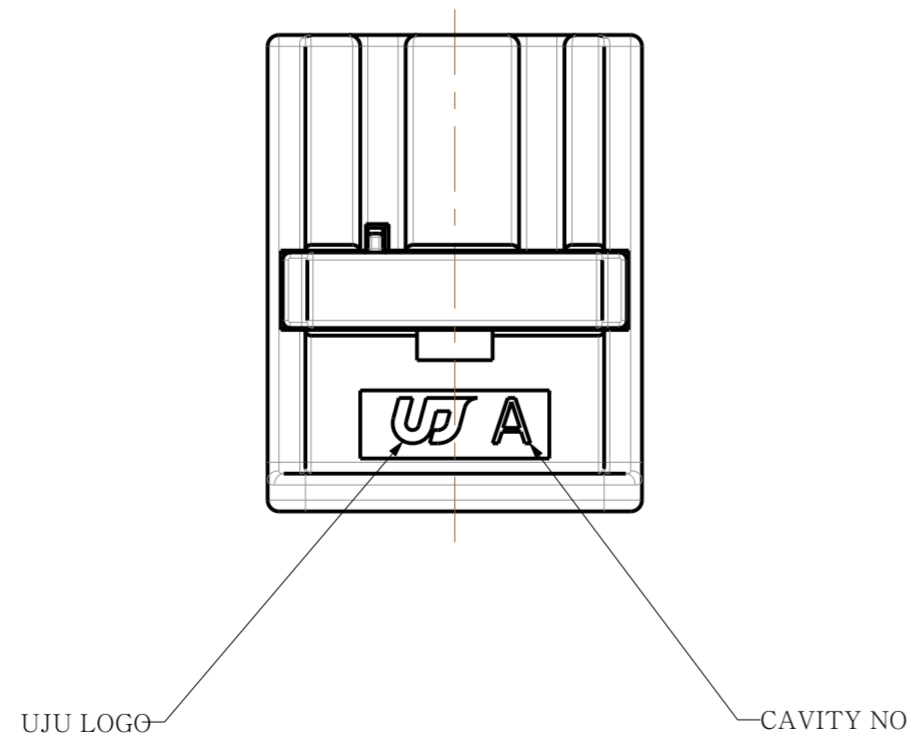
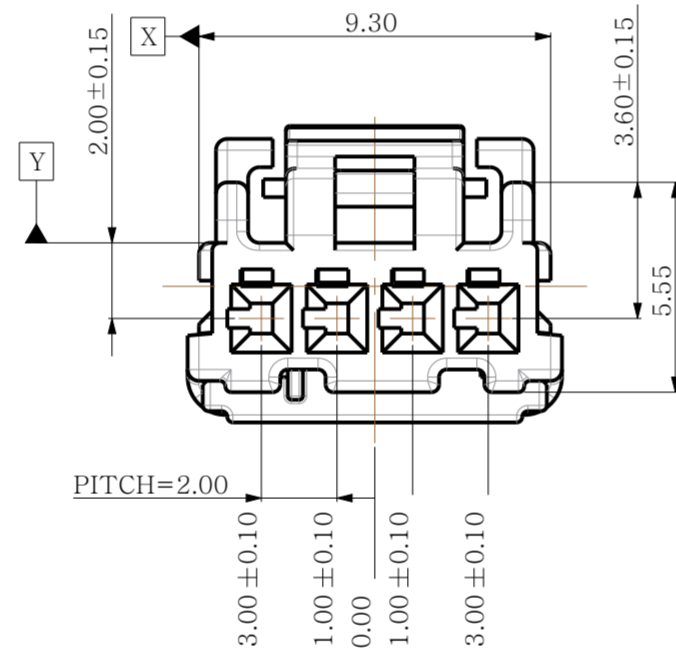
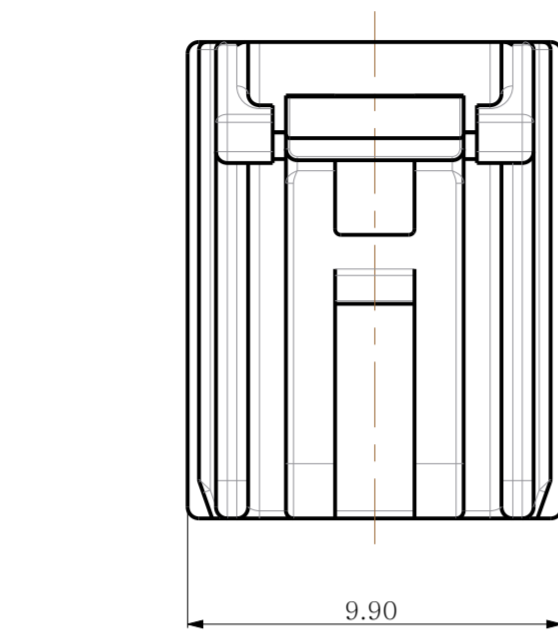


TPA SECONDARY LOCK POSITION

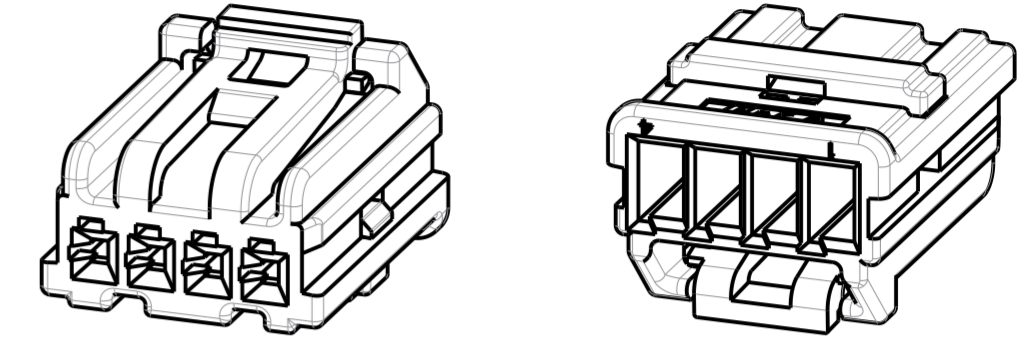
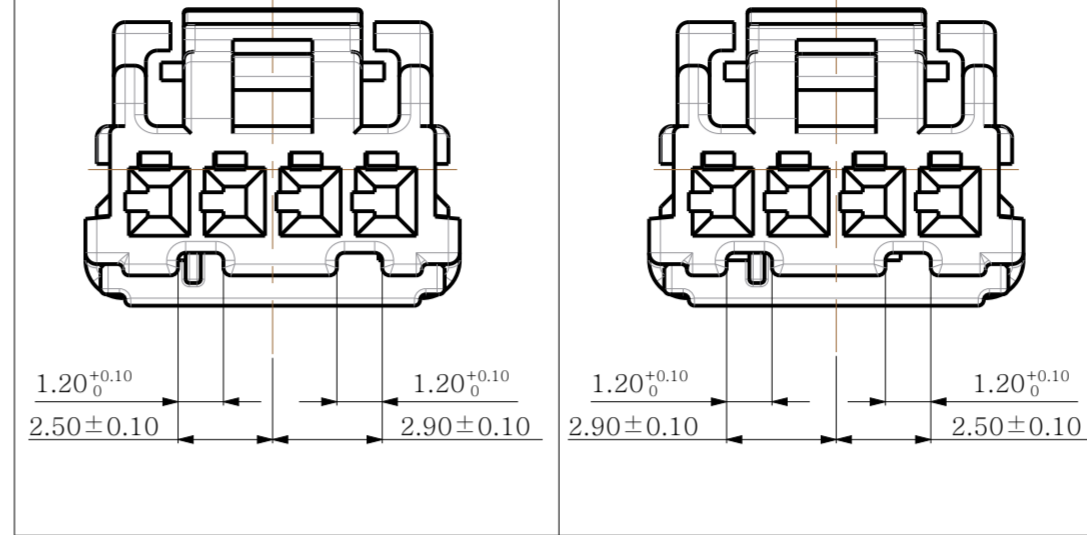


SECTION A-A

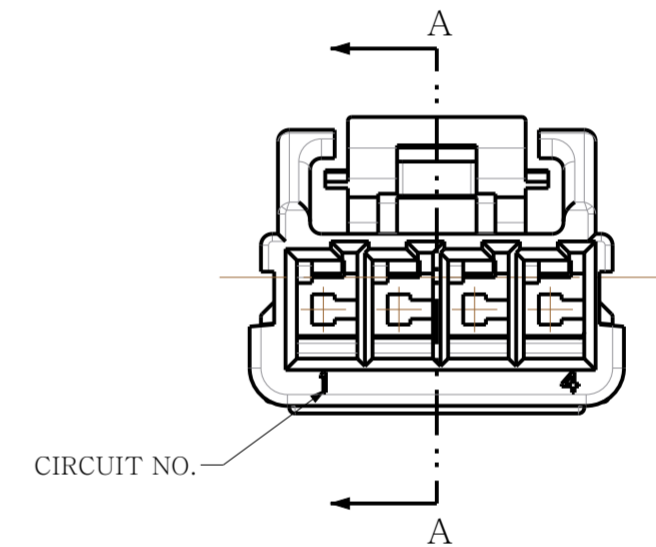
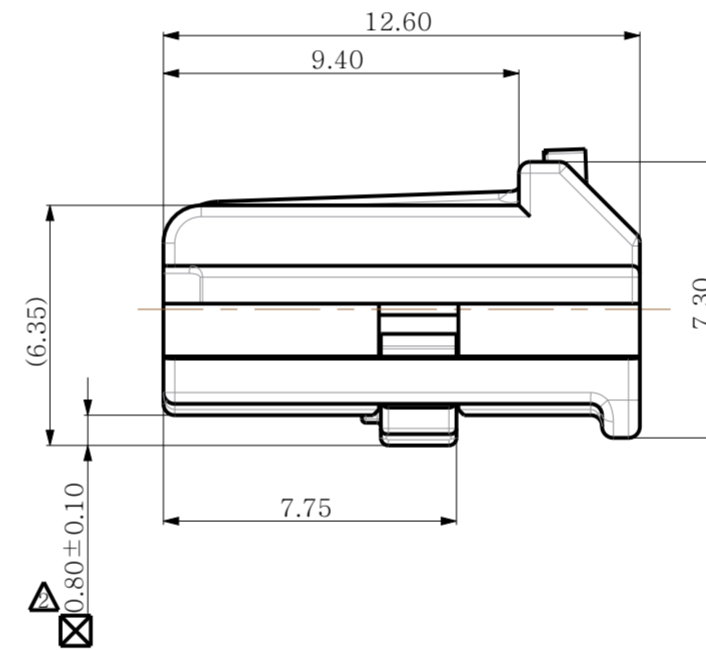


CODE A
(NATURAL)

CADE B
(BLACK)



ISO VIEW



CIRCUIT NO.

- NOTE.
- GENERAL TOLERANCE : REFER TO DIN 16472 TG6 SPECIFICATION.
 - DELIVERY CONDITION : TPA FIRST LOCK POSITION
 - BURR 0.3 MAX.
 - NO CRACK.
 - ALL LETTERS SHALL BE CLEAR AND LEGIBLE
 - PACKING :TRAY
 - APPLICABLE RECEPTACLE TERMINAL :
 - FEMALE CONTACT : 020_D_F_TML_G
 - PART NO. : KH1710007-22
 - WIRE SIZE RANGE : 0.3 ~0.5mm
 - MATERIAL : C64750-H(CuNiSi-H)
 - FINISH : 0.8um Min. TIN PLATED (REFLOW) OVER 0.5um Min COPPER (MATTE)
 - FLAMMABILITY : UL94 - HB

NO	DESCRIPTION	MATERIAL	FINISH/COLOR	Q'TY
2	020_D_4P_TPA_HSG_GN	PBT GF10	GREEN	1
1	020_D_4F_HSG_BK	PBT GF10	BLACK	1
1	020_D_4F_HSG_NR	PBT GF10	NATURAL	1

DESCRIPTION	CODE	ASSY PART NO.	REV.
020_D_4F_ASSY_BK_G	B	KH1710104-21	A
020_D_4F_ASSY_NR_G	A	KH1710104-10	A

DRWN	DR KOO	(주)우주일렉트로닉스 UJU Electronics co.,Ltd.	NAME					
CHKD	KH PARK		020_D_4F_ASSY_G					
APVD	CY CHOI		CUSTOMER DRAWING	DRAWING NO				
MATERIAL		SEE TABLE	KH1710104					
FINISH/COLOR		SEE TABLE	SHEET					
WEIGHT		-	LOC	RESTRICTED TO	SIZE	SCALE	SHEET	REV
PRODUCT SPEC		-	-	-	A2	5:1	1 OF 1	A

TOLERANCES UNLESS OTHERWISE SPECIFIED	UNIT MM	THIRD ANGLE PROJECTION
0	±	
0.0	±	
0.00	±	
0.000	±	
0.0000	±	
ANGLES	±	
PRODUCT SPEC	-	APPLICATION SPEC
-	-	-