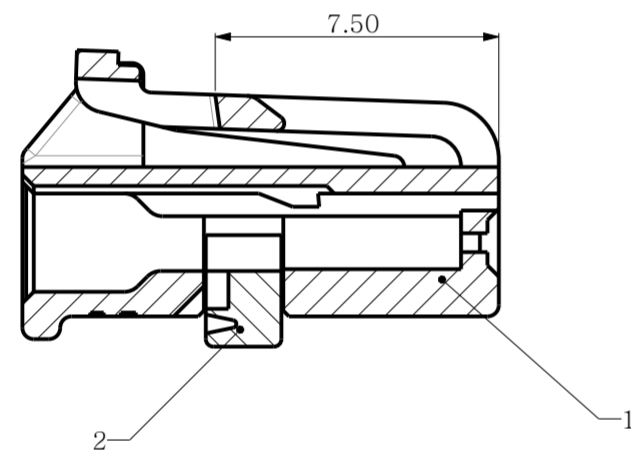
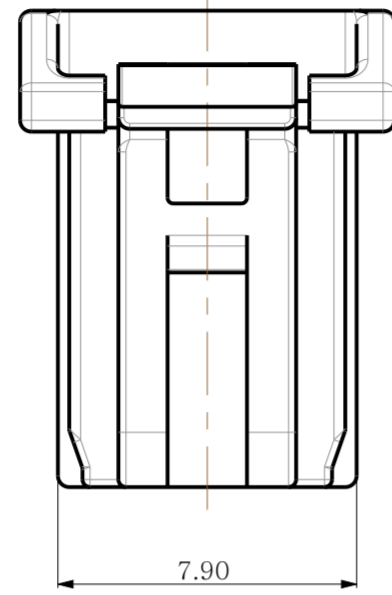
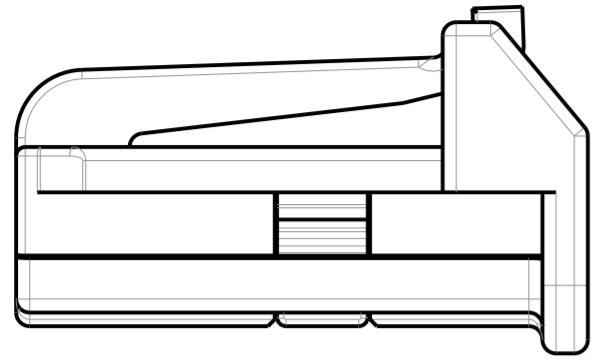
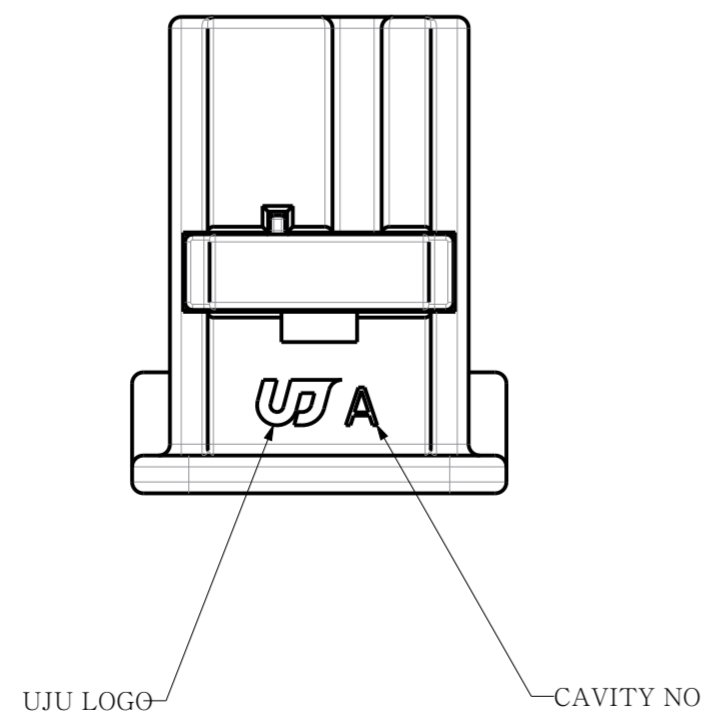
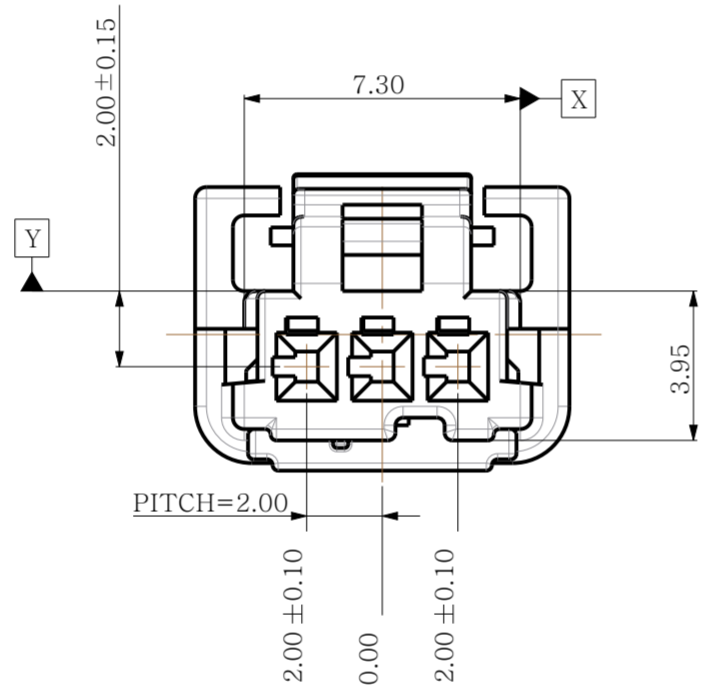


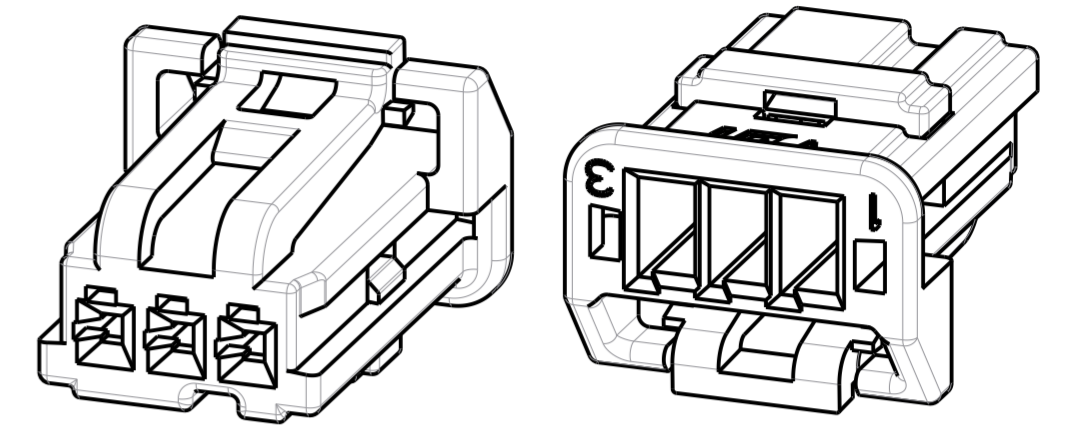
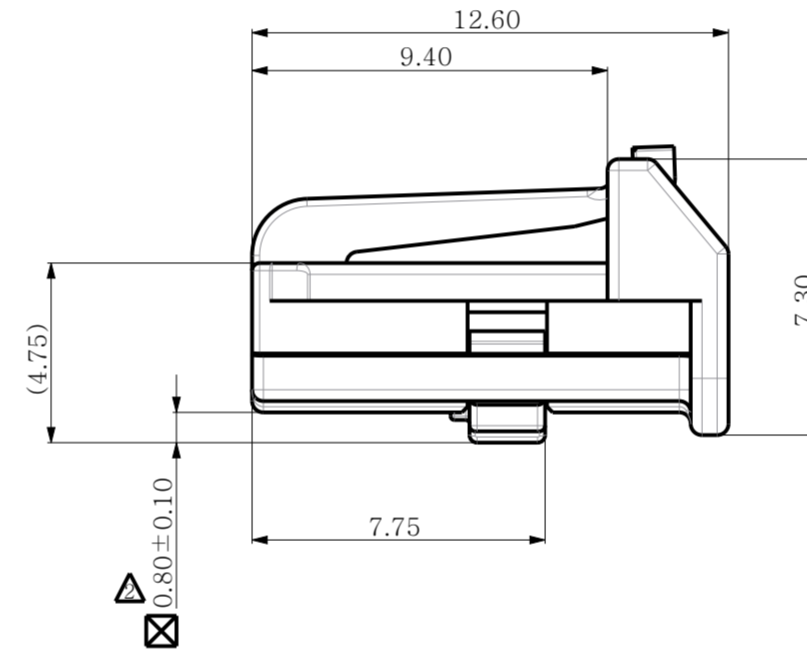
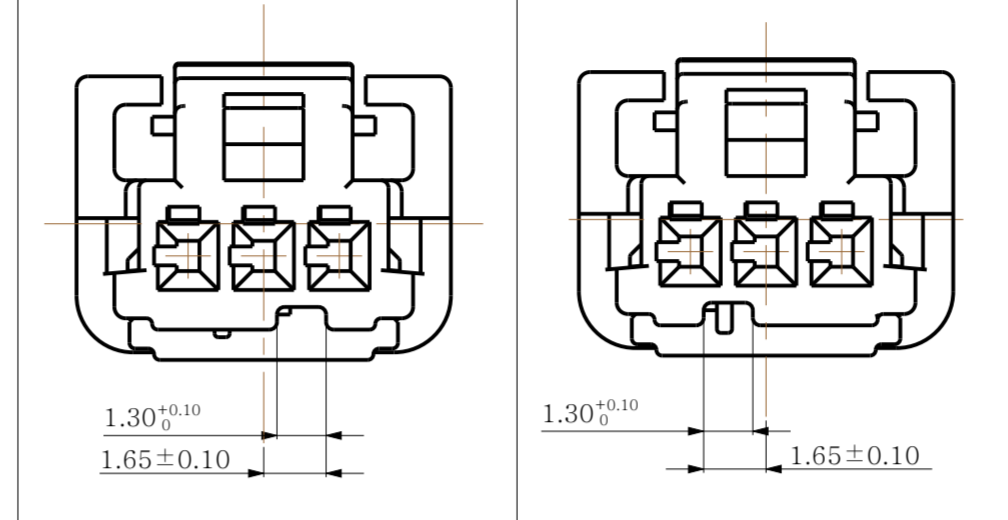
TPA SECONDARY LOCK POSITION



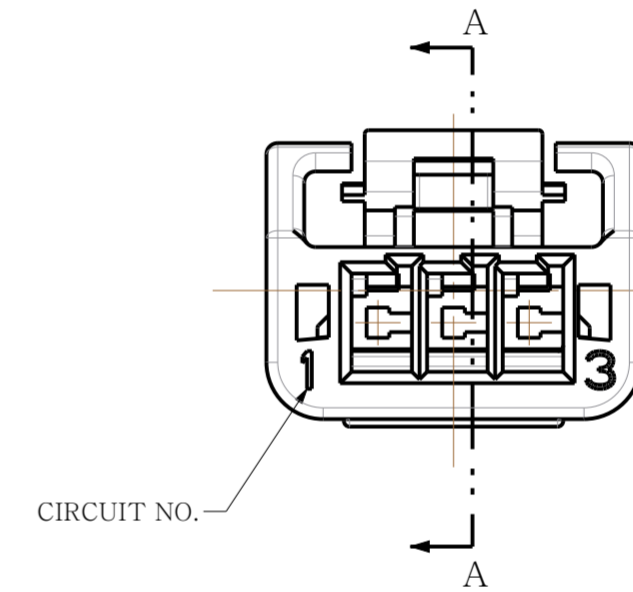
SECTION A-A



CODE A (NATURAL) CADE B (BLACK)



ISO VIEW



CIRCUIT NO.

NOTE.

1. GENERAL TOLERANCE : REFER TO DIN16742 TG6 SPECIFICATION
2. DELIVERY CONDITION : TPA FIRST LOCK POSITION
3. BURR 0.3 MAX.
4. NO CRACK.
5. ALL LETTERS SHALL BE CLEAR AND LEGIBLE
6. PACKING : TRAY
7. APPLICABLE RECEPTACLE TERMINAL :
 - FEMALE CONTACT : 020_D_F_TML_G
 - PART NO. : KH1710007-22
 - WIRE SIZE RANGE : 0.3 ~ 0.5mm
 - MATERIAL : C64750-H(CuNiSi-H)
 - FINISH : 0.8um Min. TIN PLATED (REFLOW)
OVER 0.5um Min COPPER (MATTE)
8. FLAMMABILITY : UL94 - HB

REV	REVISION RECORD	DATE	DRWN	CHKD	APVD
A	ENGINEERING RELEASED	21.JUN'19	DR	KH	CY

NO	DESCRIPTION	MATERIAL	FINISH/COLOR	Q'TY
②	020_D_3P_TPA_HSG_GN	PBT GF10	GREEN	1 1
①	020_D_3F_HSG_BK	PBT GF10	BLACK	1 -
	020_D_3F_HSG_NR	PBT GF10	NATURAL	- 1

DRWN	DR KOO	(주)우주일렉트로닉스 UJU Electronics co.,Ltd.			
CHKD	KH PARK				
APVD	CY CHOI				
NAME		020_D_3F_ASSY_G			
MATERIAL		SEE TABLE			
FINISH/COLOR		SEE TABLE			
DRAWING		CUSTOMER DRAWING			
DRAWING NO		KH1710101			
LOC	RESTRICTED TO	SIZE	SCALE	SHEET	REV
-	-	A2	5:1	1 OF 1	A

TOLERANCES UNLESS OTHERWISE SPECIFIED	UNIT MM	THIRD ANGLE PROJECTION
0 ±		
0.0 ±		
0.00 ±		
0.000 ±		
0.0000 ±		
ANGLES ±		
PRODUCT SPEC	APPLICATION SPEC	WEIGHT
-	-	-