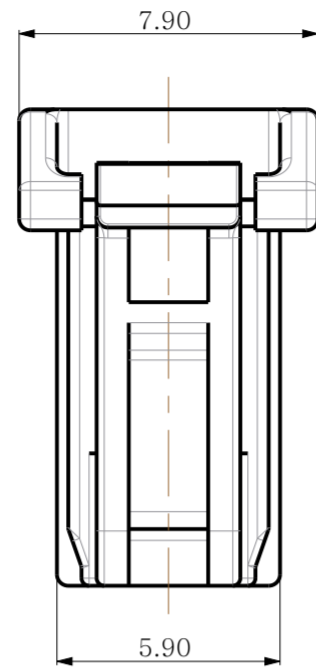
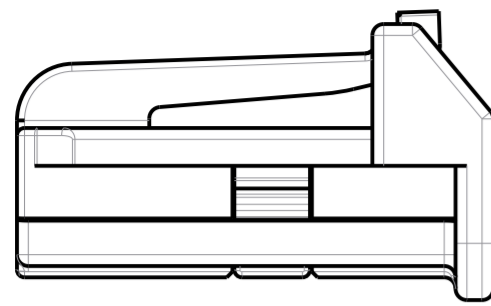
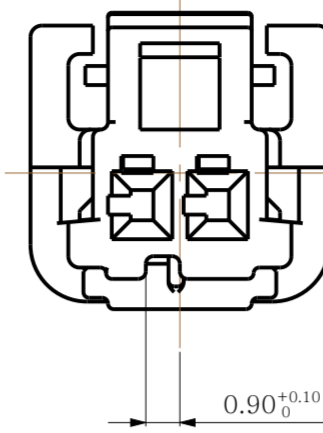
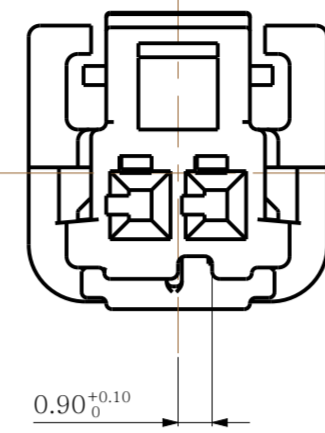


TPA SECONDARY LOCK POSITION

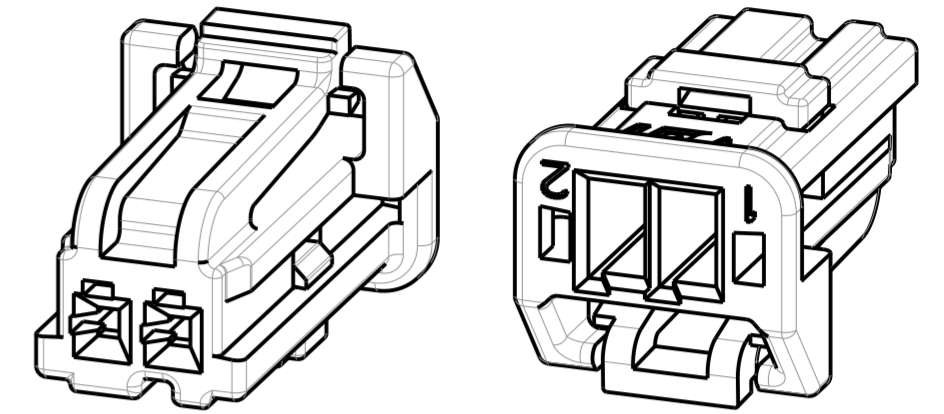


CODE A
(NATURAL)

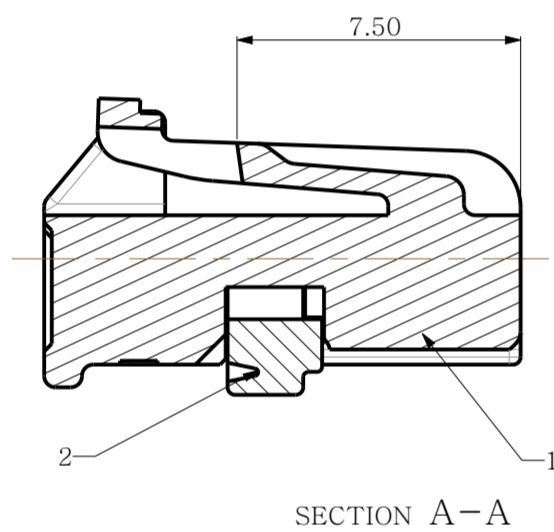
CODE B
(BLACK)



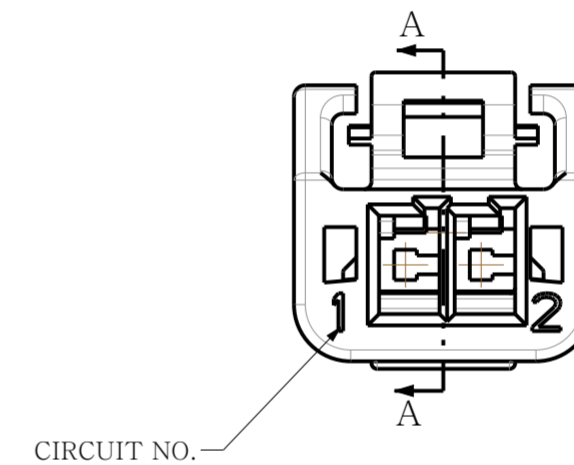
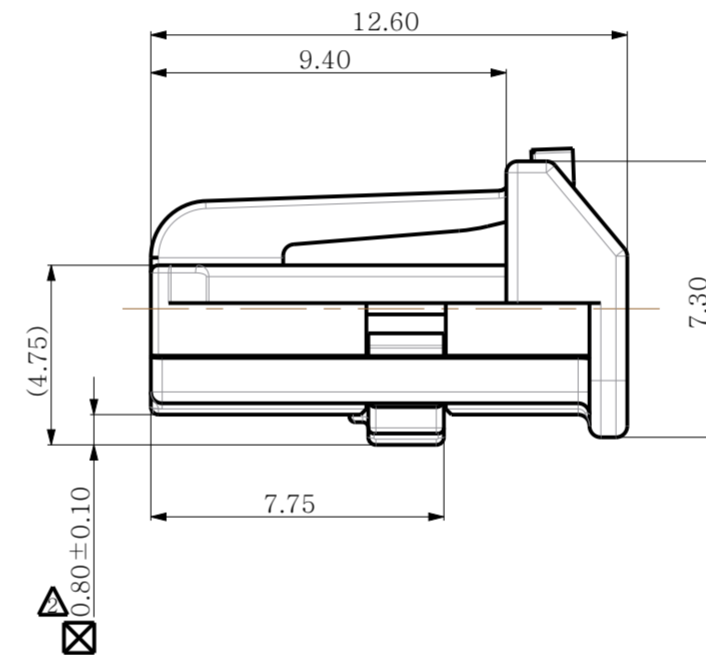
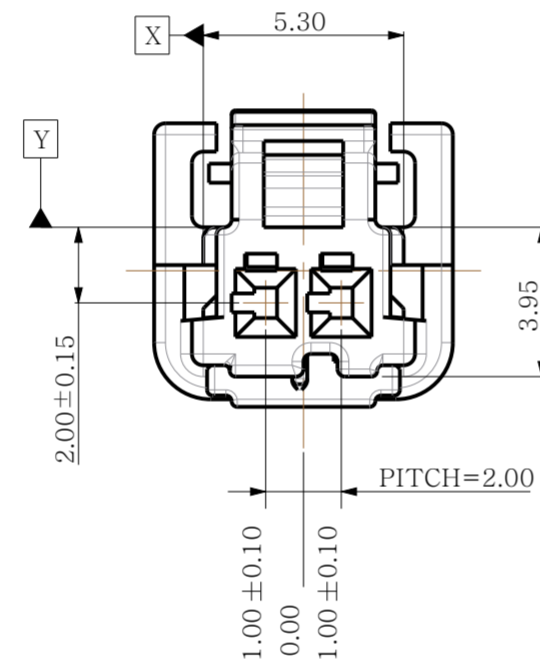
REV	REVISION RECORD	DATE	DRWN	CHKD	APVD
A	RELEASED	21.JUN'19	DR	KH	CY



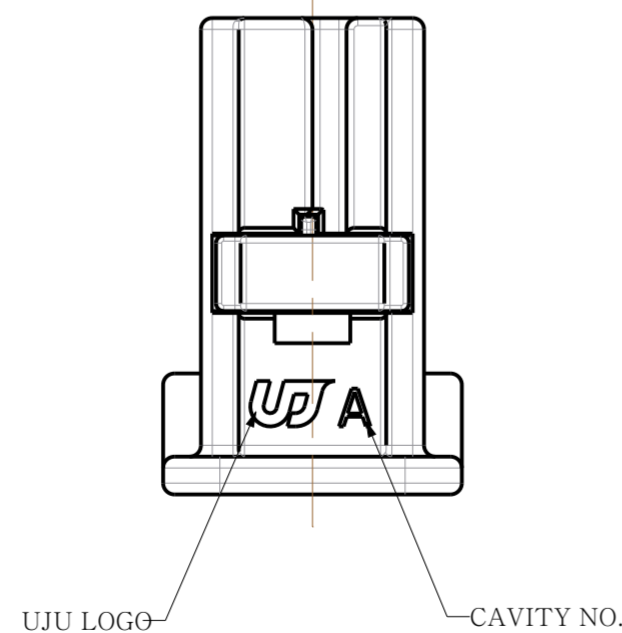
ISO VIEW



SECTION A-A



CIRCUIT NO.



NOTE.

1. GENERAL TOLERANCE : REFER TO DIN 16742 TG6 SPECIFICATION.

△ DELIVERY CONDITION : TPA FIRST LOCK POSITION

3. BURR 0.3 MAX

4. NO CRACK.

5. ALL LETTERS SHALL BE CLEAR AND LEGIBLE

6. PACKING : TRAY

7. APPLICABLE RECEPTACLE TERMINAL :

- FEMALE CONTACT : 020_D_F_TML_G

- PART NO. : KH1710007-22

- WIRE SIZE RANGE : 0.3 ~ 0.5mm²

- MATERIAL : C64750-H(CuNiSi-H)

- FINISH : 0.8um Min. TIN PLATED (REFLOW)

OVER 0.5um Min COPPER (MATTE)

8. FLAMMABILITY : UL94 - HB

NO	DESCRIPTION	MATERIAL	FINISH/COLOR	Q'TY
2	020_D_2P_TPA_HSG_GN	PBT GF10	GREEN	1
1	020_D_2F_HSG_BK	PBT GF10	BLACK	1
	020_D_2F_HSG_NR	PBT GF10	NATURAL	1

DRWN	DR KOO	(주)우주일렉트로닉스 UJU Electronics co.,Ltd.			
CHKD	KH PARK				
APVD	CY CHOI				
NAME		020_D_2F_ASSY_G			
MATERIAL		SEE TABLE			
FINISH/COLOR		SEE TABLE			
DRAWING NO		KH1710098			
LOC	RESTRICTED TO	SIZE	SCALE	SHEET	REV
-	-	A2	5:1	1 OF 1	A

TOLERANCES UNLESS OTHERWISE SPECIFIED	UNIT MM	THIRD ANGLE PROJECTION
0	±	
0.0	±	
0.00	±	
0.000	±	
0.0000	±	
ANGLES	±	
PRODUCT SPEC	APPLICATION SPEC	
-	-	

DESCRIPTION	CODE	ASSY PART NO	REV
020_D_2F_ASSY_BK_G	B	KH1710098-21	A
020_D_2F_ASSY_NR_G	A	KH1710098-10	A