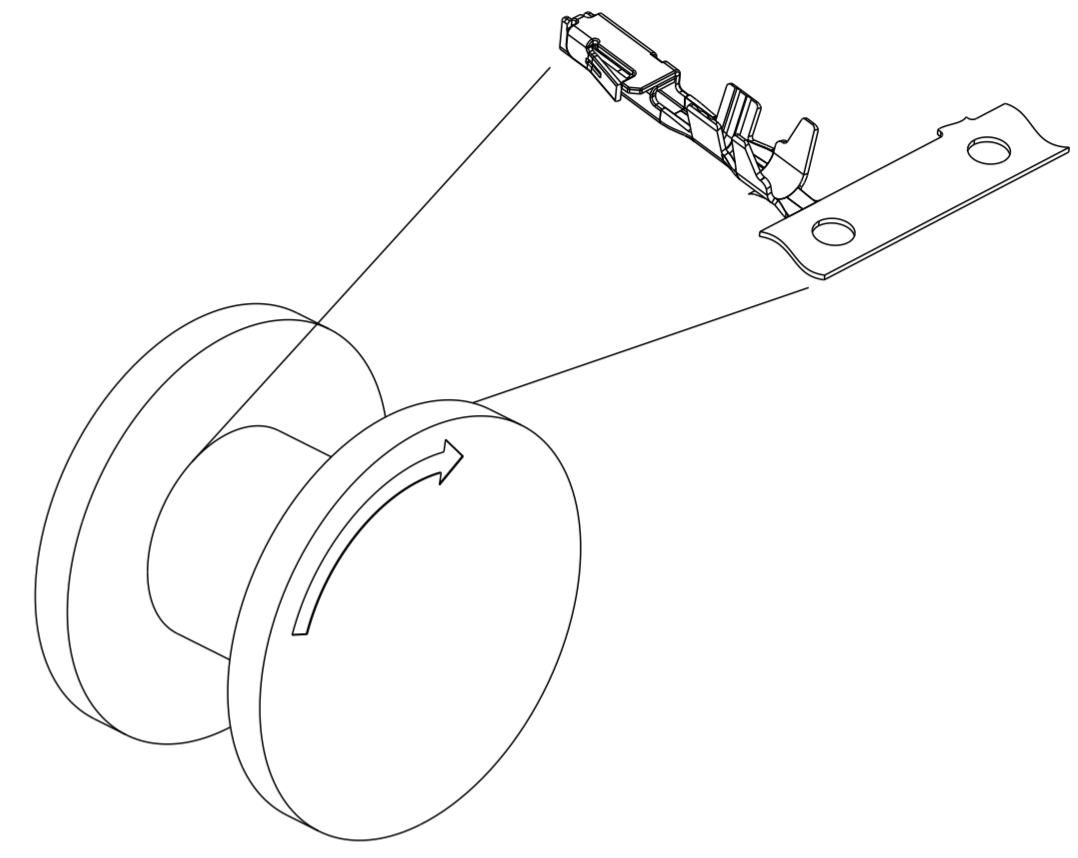
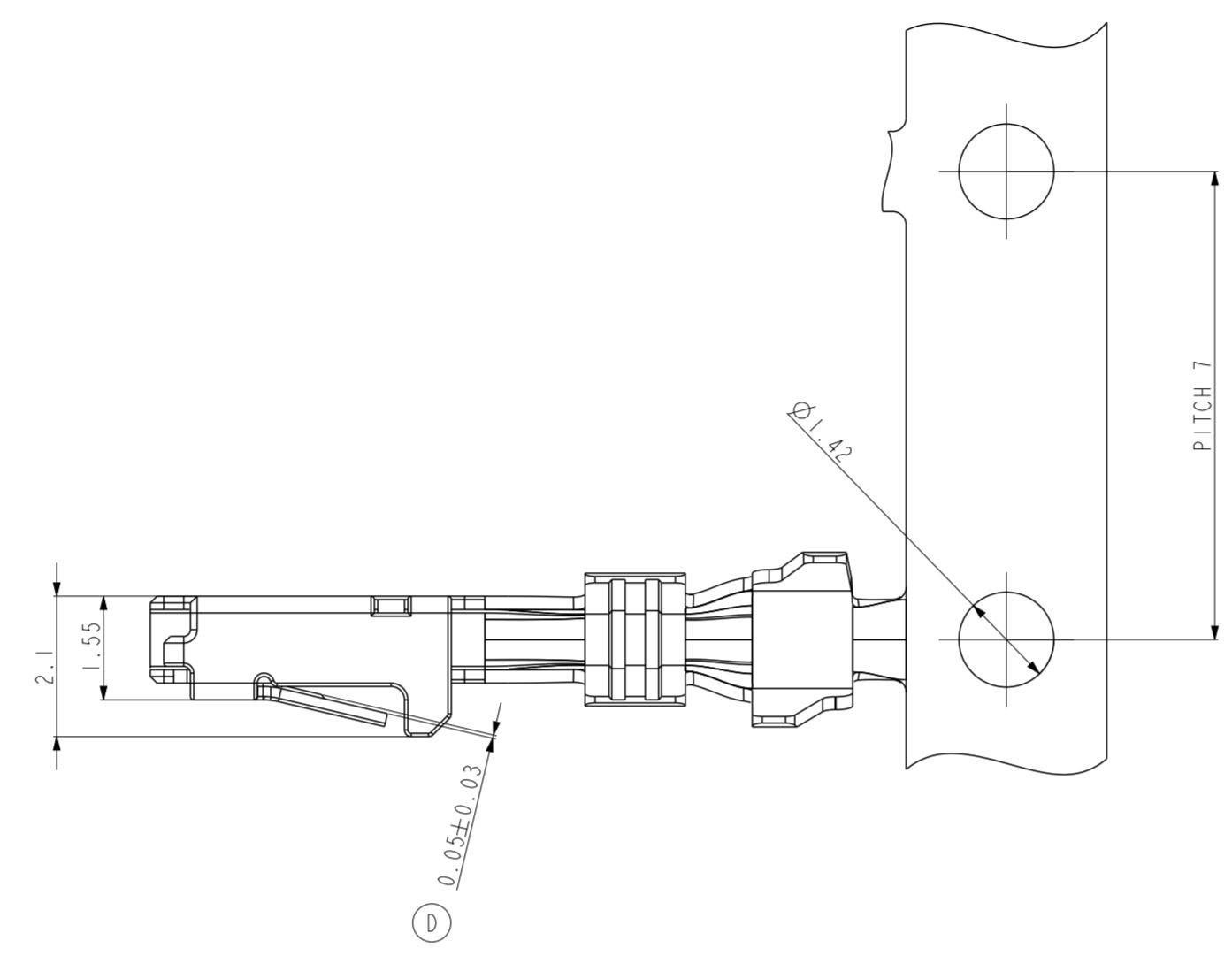
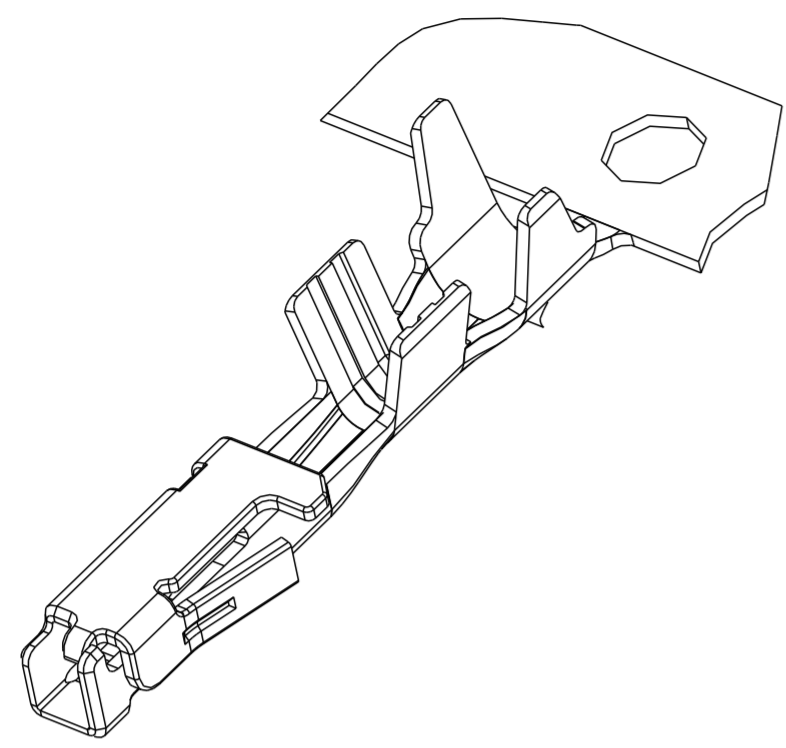
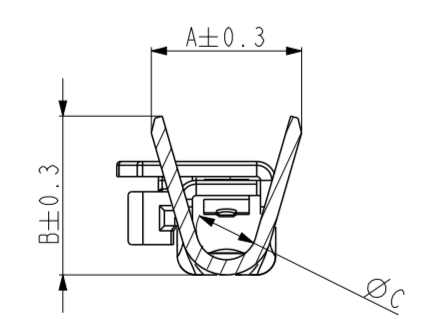
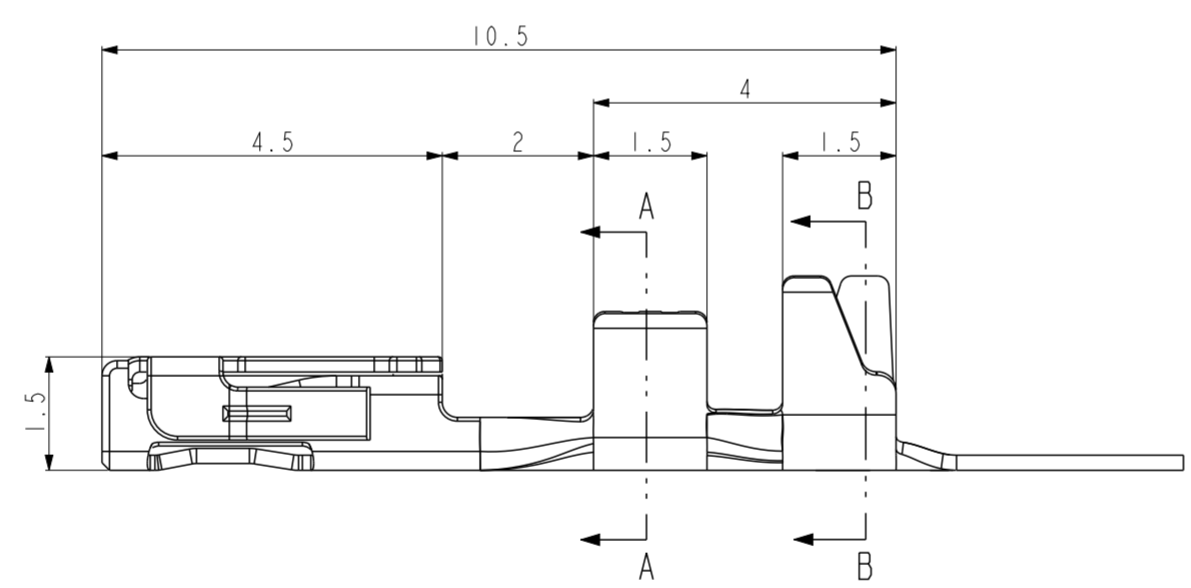
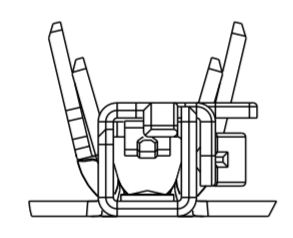


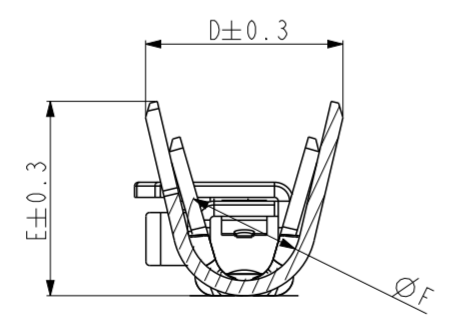
REV	REVISION RECORD	DATE	DRWN	CHKD	APVD
A	RELEASED	27.JUN'18	SH	KH	MJ
B	REVISED(RD-2018-074)	12.SEP'18	DR	SH	MJ
C	REVISED(RD-2018-107)	07.FEB'19	SH	KH	CY
D	REVISED(RD-2019-069)	09.MAY'19	SH	KH	CY
E	REVISED(RD-2020-030)	13.MAR'20	DR	KH	CY
F	REVISED(RD-2022-019)	11.FEB'22	KC	KH	CY



UNWINDING DIRECTION ON THE TOP OF REEL



SECTION A-A



SECTION B-B

- NOTES:
1. GENERAL TOLERANCE:  $\pm 0.2$ , ANGLE  $\pm 3^\circ$
  2.  $\Delta$  0.8um Min. TIN PLATED(REFLOW)
  3. NO CABLE SEAL APPLICATIONS
  4. MATING TAB THICKNESS: 0.5MM

PART NO.	WIRE RANGE	A	B	C	D	E	F	DIMENSIONS (mm)				
								STRIP LENGTH	CCW±0.05	CCH±0.03	ICW±0.1	ICH
KH1710007-32(Pre-Au/Sn)	0.5	2.1	2.1	0.9	2.6	2.6	1.6	2.6±0.1	1.4	0.93	2.2	1.5 MAX
KH1710007-22(Pre-Sn)	0.35							2.6±0.1	1.4	0.83	(B) 2.1	1.4 MAX
	0.3							2.6±0.1	1.4	0.83	2.2	1.4 MAX

TOLERANCES UNLESS OTHERWISE SPECIFIED	UNIT	MM
	THIRD ANGLE PROJECTION	
PRODUCT SPEC	APPLICATION SPEC	

DRWN	KC.HAN	(주)우주 일렉트로닉스 UJU Electronics co.,Ltd.
CHKD	KH.PARK	
APVD	CY.CHOI	
MATERIAL	COPPER ALLOY	NAME
FINISH/COLOR	PRE-TIN	020(0.5MM) D FEMALE TERMINAL_G
WEIGHT	0.11	CUSTOMER
		DRAWING
		DRAWING NO
		KH1710007
		LOC
		RESTRICTED TO
		SIZE
		A2
		SCALE
		10:1
		SHEET
		1 OF 1
		REV
		F